

FFP08H60S Hyperfast 2 Rectifier

Features

- High Speed Switching ($t_{rr}=45\text{ns}(\text{Max.}) @ I_F=8\text{A}$)
- High Reverse Voltage and High Reliability
- Avalanche Energy Rated
- Low Forward Voltage ($V_F=2.1\text{V}(\text{Max.}) @ I_F=8\text{A}$)

Applications

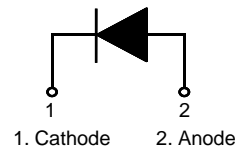
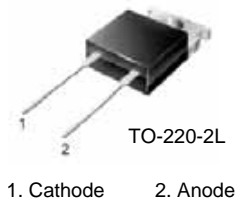
- General Purpose
- Switching Mode Power Supply
- Free-wheeling diode for motor application
- Power switching circuits

8A, 600V Hyperfast 2 Rectifier

The FFP08H60S is hyperfast2 rectifier ($t_{rr}=45\text{ns}(\text{Max.}) @ I_F=8\text{A}$). it has half the recovery time of ultrafast rectifier and is silicon nitride passivated ion-implanted epitaxial planar construction.

This device is intended for use as freewheeling/clamping rectifiers in a variety of switching power supplies and other power switching applications. Its low stored charge and hyperfast soft recovery minimize ringing and electrical noise in many power switching circuits reducing power loss in the switching transistors.

Pin Assignments



Absolute Maximum Ratings $T_C = 25^\circ\text{C}$ unless otherwise noted

| Symbol | Parameter | Value | Units |
|----------------|---|--------------|------------------|
| V_{RRM} | Peak Repetitive Reverse Voltage | 600 | V |
| V_{RWM} | Working Peak Reverse Voltage | 600 | V |
| V_R | DC Blocking Voltage | 600 | V |
| $I_{F(AV)}$ | Average Rectified Forward Current @ $T_C = 105^\circ\text{C}$ | 8 | A |
| I_{FSM} | Non-repetitive Peak Surge Current 60Hz Single Half-Sine Wave | 60 | A |
| T_J, T_{STG} | Operating Junction and Storage Temperature | - 65 to +150 | $^\circ\text{C}$ |

Thermal Characteristics $T_C = 25^\circ\text{C}$ unless otherwise noted

| Symbol | Parameter | Max | Units |
|-----------------|--|-----|--------------------|
| $R_{\theta JC}$ | Maximum Thermal Resistance, Junction to Case | 2.5 | $^\circ\text{C/W}$ |

Package Marking and Ordering Information

| Device Marking | Device | Package | Reel Size | Tape Width | Quantity |
|----------------|-------------|---------|-----------|------------|----------|
| 08H60S | FFP08H60STU | TO-220 | - | - | 50 |

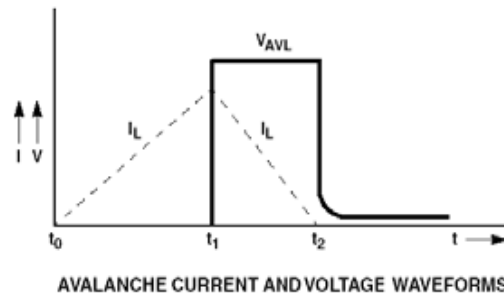
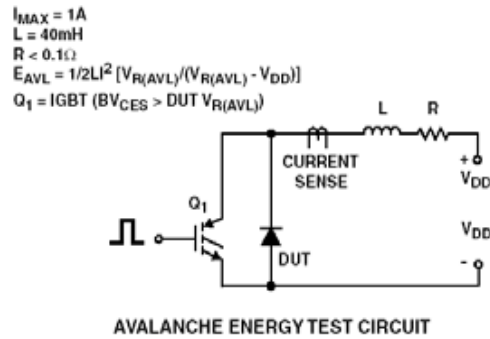
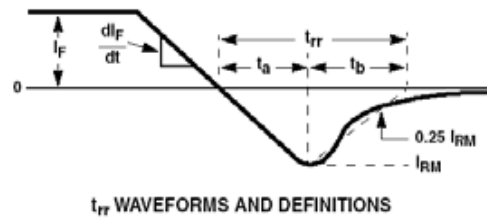
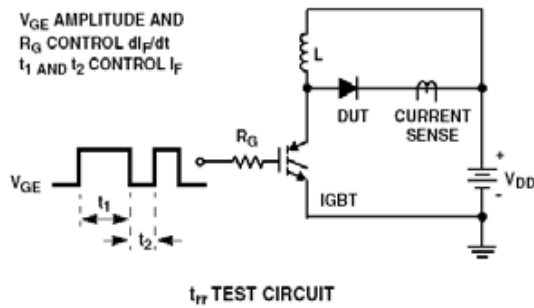
Electrical Characteristics $T_C = 25^\circ\text{C}$ unless otherwise noted

| Parameter | Conditions | Min. | Typ. | Max | Units |
|----------------------------|---|--|-------------|------------------|--|
| V_{FM}^1 | $I_F = 8\text{A}$ $I_F = 8\text{A}$ | $T_C = 25^\circ\text{C}$ $T_C = 125^\circ\text{C}$ | - - | - - | 2.1 1.7 V V |
| I_{RM}^1 | $V_R = 600\text{V}$ $V_R = 600\text{V}$ | $T_C = 25^\circ\text{C}$ $T_C = 125^\circ\text{C}$ | - - | - - | 100 200 μA μA |
| t_{rr} | $I_F = 1\text{A}, di/dt = 100\text{A}/\mu\text{s}, V_{CC} = 30\text{V}$ $I_F = 8\text{A}, di/dt = 100\text{A}/\mu\text{s}, V_{CC} = 390\text{V}$ | $T_C = 25^\circ\text{C}$ $T_C = 25^\circ\text{C}$ | - - | - - | 35 45 ns ns |
| t_a t_b Q_{rr} | $I_F = 8\text{A}, di/dt = 100\text{A}/\mu\text{s}, V_{CC} = 390\text{V}$ | $T_C = 25^\circ\text{C}$ $T_C = 25^\circ\text{C}$ $T_C = 25^\circ\text{C}$ | - - - | 15 16 18.6 | - - - nC |
| W_{AVL} | Avalanche Energy (L = 40mH) | 20 | - | - | mJ |

Notes:

1. Pulse : Test Pulse width = 300 μs , Duty Cycle = 2%

Test Circuit and Waveforms



Typical Performance Characteristics $T_C = 25^\circ\text{C}$ unless otherwise noted

Figure 1. Typical Forward Voltage Drop

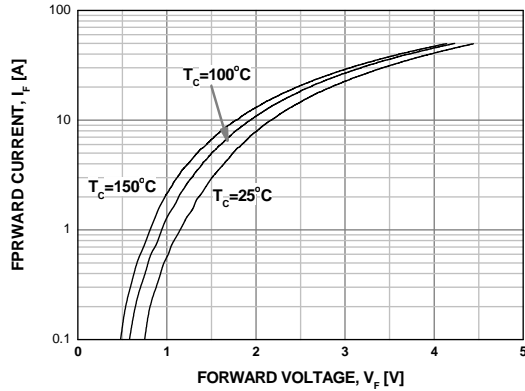


Figure 2. Typical Reverse Current

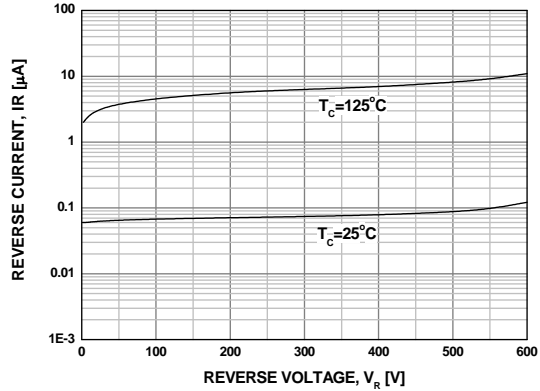


Figure 3. Typical Junction Capacitance

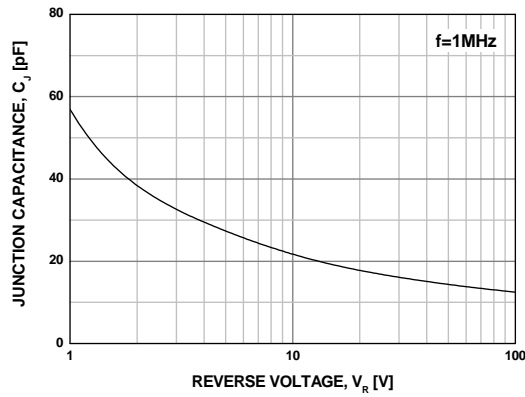


Figure 4. Typical Reverse Recovery Time

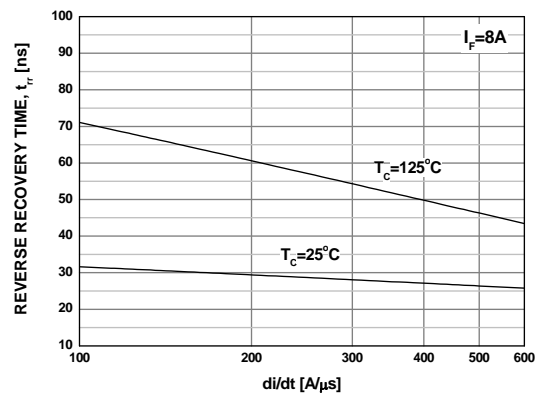


Figure 5. Typical Reverse Recovery Current

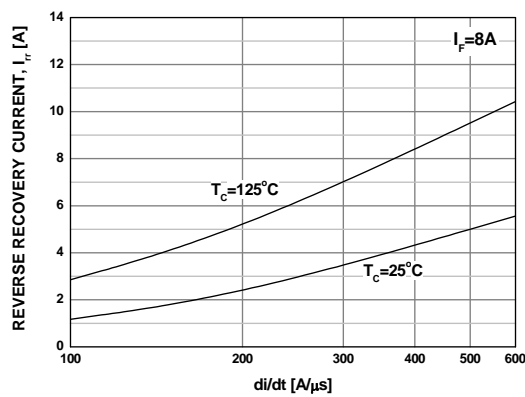
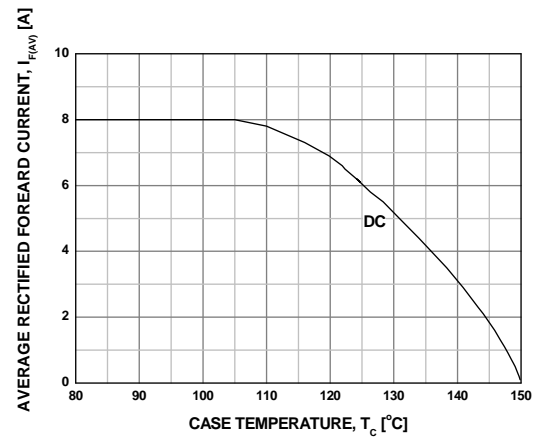
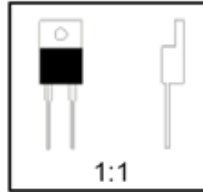


Figure 6. Forward Current Deration Curve



Package Dimensions

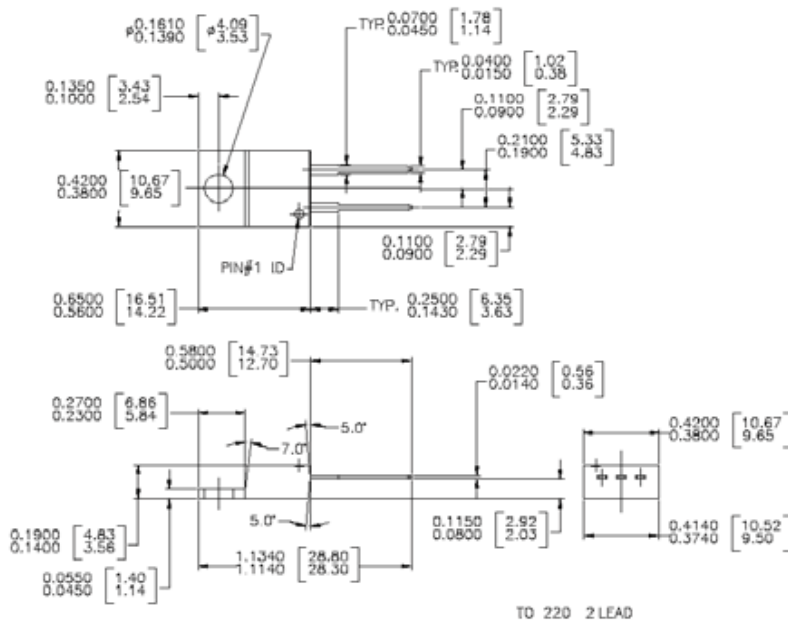
TO-220AC



Scale 1:1 on letter size paper

Dimensions shown below are in:
inches [millimeters]

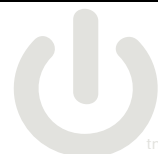
Part Weight per unit (gram): 2.24



NOTE : UNLESS OTHERWISE SPECIFIED


- STANDARD LEAD FINISH :
200 MICRONS / 5.08 MICRON MINIMUM
LEAD / TIN 15/85 ON QLIN 194 COPPER OR EQUIVALENT
- DIMENSION BASED ON JEDEC STANDARD TO-220
VARIATION AB, ISSUE J, DATED 3/24/87

Dimensions in Millimeters



TRADEMARKS

The following are registered and unregistered trademarks Fairchild Semiconductor owns or is authorized to use and is not intended to be an exhaustive list of all such trademarks.

| | | | |
|--|---------------------------------|--|---|
| ACEx [®] | GlobalOptoisolator [™] | Power247 [®] | SyncFET [™] |
| Across the board. Around the world. [™] | GTO [™] | PowerEdge [™] | TCM [™] |
| ActiveArray [™] | HiSeC [™] | PowerSaver [™] | The Power Franchise [®] |
| Bottomless [™] | <i>i-Lo</i> [™] | PowerTrench [®] |  ™ |
| Build it Now [™] | ImpliedDisconnect [™] | Programmable Active Droop [™] | TinyBoost [™] |
| CoolFET [™] | IntelliMAX [™] | QFET [®] | TinyBuck [™] |
| CROSSVOL [™] | ISOPLANAR [™] | QS [™] | TinyLogic [®] |
| CTL [™] | MICROCOUPLER [™] | QT Optoelectronics [™] | TINYOPTO [™] |
| Current Transfer Logic [™] | MicroPak [™] | Quiet Series [™] | TinyPower [™] |
| DOME [™] | MICROWIRE [™] | RapidConfigure [™] | TinyWire [™] |
| E ² CMOS [™] | MSX [™] | RapidConnect [™] | TruTranslation [™] |
| EcoSPARK [®] | MSXPro [™] | ScalarPump [™] | μSerDes [™] |
| EnSigna [™] | OCX [™] | SMART START [™] | UHC [®] |
| FACT Quiet Series [™] | OCXPro [™] | SPM [®] | UniFET [™] |
| FACT [®] | OPTOLOGIC [®] | STEALTH [™] | VCX [™] |
| FAST [®] | OPTOPLANAR [®] | SuperFET [™] | Wire [™] |
| FASTr [™] | PACMAN [™] | SuperSOT [™] -3 | |
| FPS [™] | POP [™] | SuperSOT [™] -6 | |
| FRFET [®] | Power220 [®] | SuperSOT [™] -8 | |

DISCLAIMER

FAIRCHILD SEMICONDUCTOR RESERVES THE RIGHT TO MAKE CHANGES WITHOUT FURTHER NOTICE TO ANY PRODUCTS HEREIN TO IMPROVE RELIABILITY, FUNCTION, OR DESIGN. FAIRCHILD DOES NOT ASSUME ANY LIABILITY ARISING OUT OF THE APPLICATION OR USE OF ANY PRODUCT OR CIRCUIT DESCRIBED HEREIN; NEITHER DOES IT CONVEY ANY LICENSE UNDER ITS PATENT RIGHTS, NOR THE RIGHTS OF OTHERS. THESE SPECIFICATIONS DO NOT EXPAND THE TERMS OF FAIRCHILD'S WORLDWIDE TERMS AND CONDITIONS, SPECIFICALLY THE WARRANTY THEREIN, WHICH COVERS THESE PRODUCTS.

LIFE SUPPORT POLICY

FAIRCHILD'S PRODUCTS ARE NOT AUTHORIZED FOR USE AS CRITICAL COMPONENTS IN LIFE SUPPORT DEVICES OR SYSTEMS WITHOUT THE EXPRESS WRITTEN APPROVAL OF FAIRCHILD SEMICONDUCTOR CORPORATION.

As used herein:

1. Life support devices or systems are devices or systems which, (a) are intended for surgical implant into the body, or (b) support or sustain life, and (c) whose failure to perform when properly used in accordance with instructions for use provided in the labeling, can be reasonably expected to result in significant injury to the user.
2. A critical component is any component of a life support device or system whose failure to perform can be reasonably expected to cause the failure of the life support device or system, or to affect its safety or effectiveness.

PRODUCT STATUS DEFINITIONS

Definition of Terms

| Datasheet Identification | Product Status | Definition |
|--------------------------|------------------------|--|
| Advance Information | Formative or In Design | This datasheet contains the design specifications for product development. Specifications may change in any manner without notice. |
| Preliminary | First Production | This datasheet contains preliminary data; supplementary data will be published at a later date. Fairchild Semiconductor reserves the right to make changes at any time without notice to improve design. |
| No Identification Needed | Full Production | This datasheet contains final specifications. Fairchild Semiconductor reserves the right to make changes at any time without notice to improve design. |
| Obsolete | Not In Production | This datasheet contains specifications on a product that has been discontinued by Fairchild semiconductor. The datasheet is printed for reference information only. |