

# RM1200DB-34S

HIGH POWER SWITCHING USE  
INSULATED TYPE

High Voltage Diode Module

## RM1200DB-34S



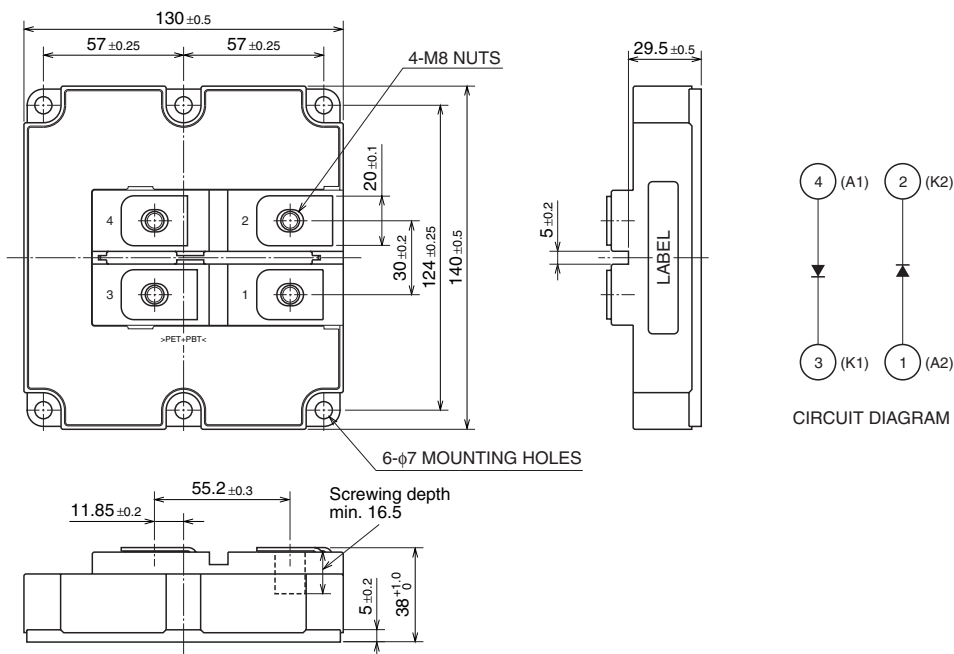
- IF ..... 1200A
- VRRM ..... 1700V
- Insulated Type
- 2-element in a Pack
- Copper Baseplate

## APPLICATION

Traction drives, High Reliability Converters / Inverters, DC choppers

## OUTLINE DRAWING & CIRCUIT DIAGRAM

Dimensions in mm



High Voltage Diode Module

**RM1200DB-34S**

**HIGH POWER SWITCHING USE  
INSULATED TYPE**

High Voltage Diode Module

**MAXIMUM RATINGS**

Symbol	Item	Conditions	Ratings	Unit
VRRM	Repetitive peak reverse voltage	T <sub>j</sub> = 25 °C	1700	V
VSRM	Non-repetitive peak reverse voltage	T <sub>j</sub> = 25 °C	1700	V
VR(DC)	Reverse DC voltage	T <sub>j</sub> = 25 °C	1200	V
IF	DC forward current	T <sub>c</sub> = 25 °C	1200	A
IFSM	Surge forward current	T <sub>j</sub> = 25 °C start, t <sub>w</sub> = 8.3 ms Half sign wave	20800	A
i <sup>2</sup> t	Current-squared, time integration	T <sub>j</sub> = 25 °C start, t <sub>w</sub> = 8.3 ms Half sign wave	1803	kA <sup>2</sup> s
V <sub>iso</sub>	Isolation voltage	Charged part to the baseplate RMS sinusoidal, 60Hz 1min.	4000	V
T <sub>j</sub>	Junction temperature	—	-40 ~ +150	°C
T <sub>op</sub>	Operating temperature	—	-40 ~ +125	°C
T <sub>stg</sub>	Storage temperature	—	-40 ~ +125	°C

**ELECTRICAL CHARACTERISTICS**

Symbol	Item	Conditions	Limits			Unit
			Min	Typ	Max	
IRRM	Repetitive reverse current	V <sub>RM</sub> = VRRM	T <sub>j</sub> = 25 °C	—	3	mA
			T <sub>j</sub> = 125 °C	—	28	
VFM	Forward voltage (Note 1)	I <sub>F</sub> = 1200 A	T <sub>j</sub> = 25 °C	—	2.10	V
			T <sub>j</sub> = 125 °C	—	1.75	
t <sub>rr</sub>	Reverse recovery time	V <sub>R</sub> = 850 V, I <sub>F</sub> = 1200 A di/dt = -3000 A/μs L <sub>s</sub> =150nH, T <sub>j</sub> = 125 °C	—	0.85	—	μs
I <sub>rr</sub>	Reverse recovery current		—	800	—	A
Q <sub>rr</sub>	Reverse recovery charge		—	420	—	μC
E <sub>rec</sub>	Reverse recovery energy (Note 2)		—	0.3	—	J/P

Note 1. It doesn't include the voltage drop by internal lead resistance.  
 2. E<sub>rec</sub> is the integral of 0.1V<sub>R</sub>x0.1I<sub>rr</sub>x dt.

**RM1200DB-34S**

**HIGH POWER SWITCHING USE  
INSULATED TYPE**

High Voltage Diode Module

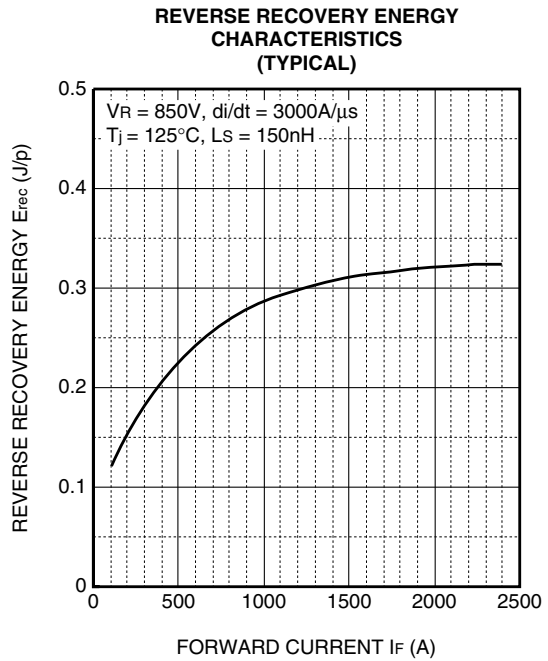
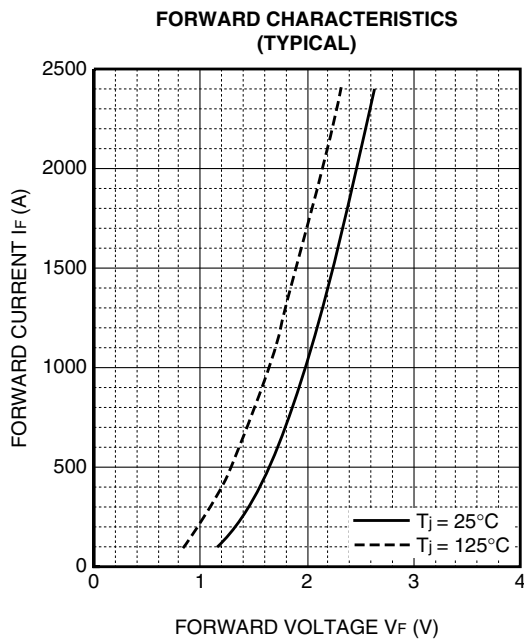
**THERMAL CHARACTERISTICS**

Symbol	Item	Conditions	Limits			Unit
			Min	Typ	Max	
R <sub>th(j-c)</sub>	Thermal resistance	Junction to case (per 1/2 module)	—	—	20.0	K/kW
R <sub>th(c-f)</sub>	Contact thermal resistance	Case to Fin, λ <sub>grease</sub> = 1W/m·K D <sub>(c-f)</sub> =100μm, (per 1/2 module)	—	24.0	—	K/kW

**MECHANICAL CHARACTERISTICS**

Symbol	Item	Conditions	Limits			Unit
			Min	Typ	Max	
M <sub>t</sub>	Mounting torque	M8: Main terminals screw	7.0	—	20.0	N·m
M <sub>s</sub>		M6: Mounting screw	3.0	—	6.0	N·m
m	Mass	—	—	1.35	—	kg
CTI	Comparative tracking index	—	600	—	—	—
D <sub>a</sub>	Clearance	—	9.5	—	—	mm
D <sub>s</sub>	Creepage distance	—	15	—	—	mm
LP CE	Internal inductance	—	—	30	—	nH
R <sub>CC'+EE'</sub>	Internal lead resistance	T <sub>c</sub> = 25 °C	—	0.2	—	mΩ

**PERFORMANCE CURVES**

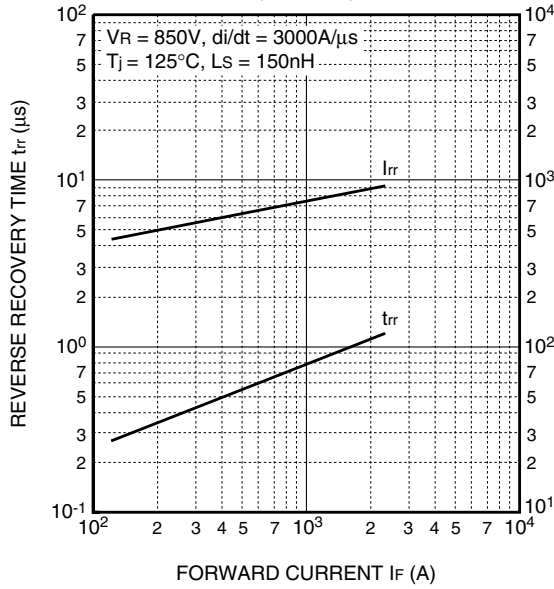


**RM1200DB-34S**

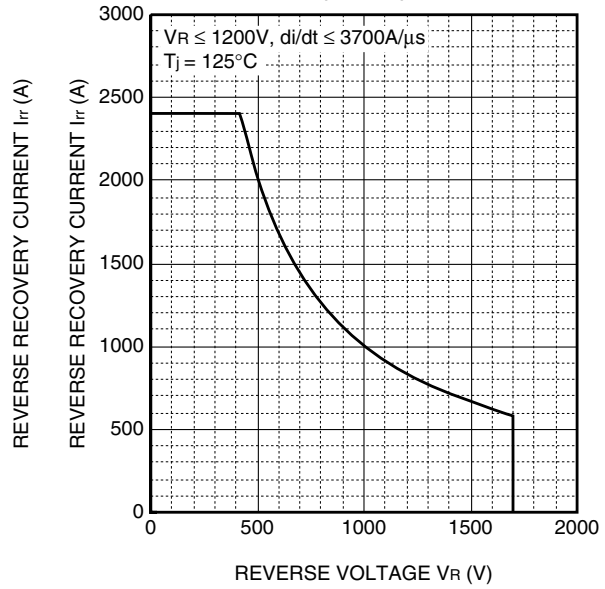
**HIGH POWER SWITCHING USE  
INSULATED TYPE**

High Voltage Diode Module

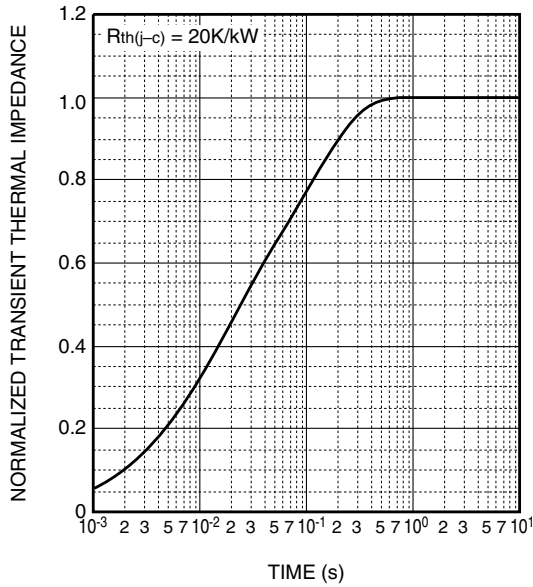
**REVERSE RECOVERY CHARACTERISTICS (TYPICAL)**



**REVERSE RECOVERY SAFE OPERATING AREA (RRSOA)**



**TRANSIENT THERMAL IMPEDANCE CHARACTERISTICS**



$$Z_{th(j-c)}(t) = \sum_{i=1}^n R_i \left\{ 1 - \exp\left(-\frac{t}{\tau_i}\right) \right\}$$

	1	2	3	4
R <sub>i</sub> [K/kW]	0.0059	0.0978	0.6571	0.2392
τ <sub>i</sub> [sec]	0.0002	0.0074	0.0732	0.4488

High Voltage Diode Module