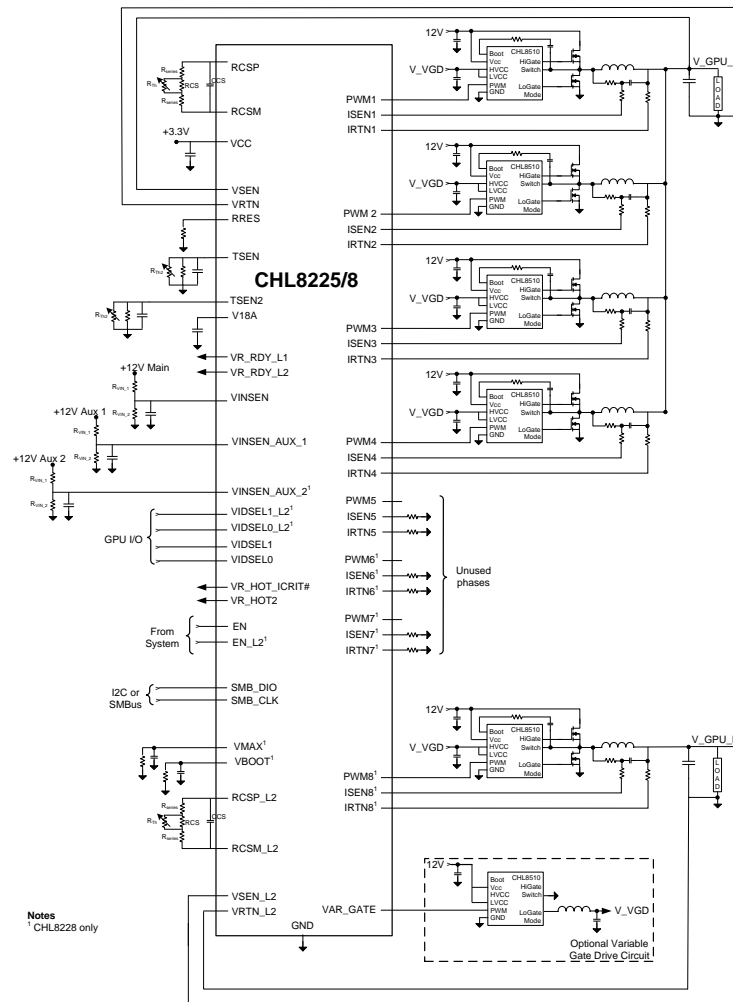
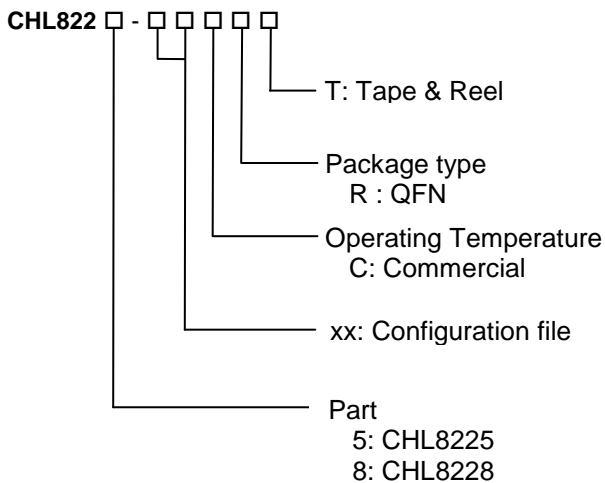




TYPICAL APPLICATIONS BLOCK DIAGRAM



ORDERING INFORMATION



Package	Tape & Reel Qty	Part Number
QFN	3000	CHL8225-00CRT <sup>1</sup>
QFN	3000	CHL8225-xxCRT <sup>2</sup>
QFN	3000	CHL8228-00CRT <sup>1</sup>
QFN	3000	CHL8228-xxCRT <sup>2</sup>

Notes

- 1 For unprogrammed/default parts, use configuration file 00. Unprogrammed parts will not start up until programmed in order to insure a safe power up.
- 2 -xx indicates a customer specific configuration file.