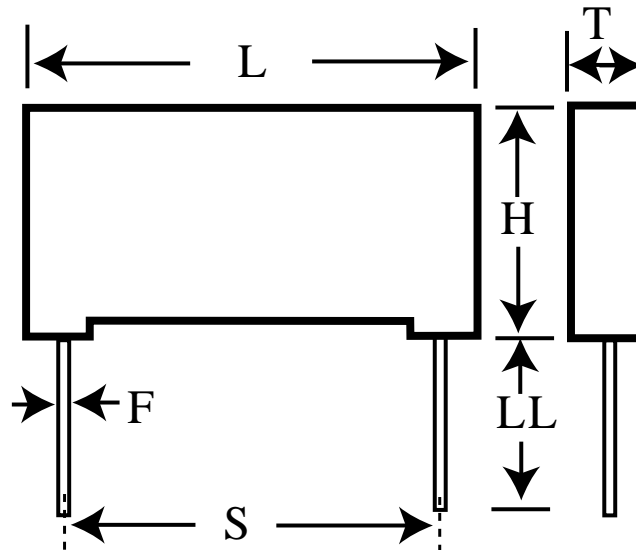


PHE840MD6470KD15R06L2

aka F840DM474K275C

Capacitor, film, 0.47 μ F, +/-10% Tol, -55/+105C, Safety: X2, 275VAC,
Lead Spacing=22.5 mm



Dimensions (mm)

ID	Dimension	Tolerance
L	26	max
H	18.5	max
T	9	max
S	22.5	+/-0.4
LL	6	nom
F	0.8	nom

Specifications

Manufacturer:	KEMET
Brand:	Rifa
Capacitance:	0.47 μ F
Temperature Range:	-55/+105C
Rated Temperature:	105C
Voltage @ rated temp:	760V
Voltage AC:	275VAC
Tolerance:	+/-10%
Body Type:	Radial Box
Construction:	Non-inductive
Application:	Safety: X2
Dielectric:	Metallized Polypropylene
Dissipation Factor @ 1 kHz:	0.1%
Dissipation Factor @ 10 kHz:	0.4%
Insulation Resistance:	21.28 GOhm
Maximum dVdT:	100v/us
UL_1414:	250V
UL_1283:	280V
IEC_60384-14:	275V
EN_132400:	275V
C_22.2_NO.1:	250V
C_22.2_NO.8:	280V
Miscellaneous Electrical:	UL/CSA VAC= 280; fo= &DD2&"MHz series(PHE840M)
Package Kind:	Bulk
Package Type:	Tray
Package Quantity:	308