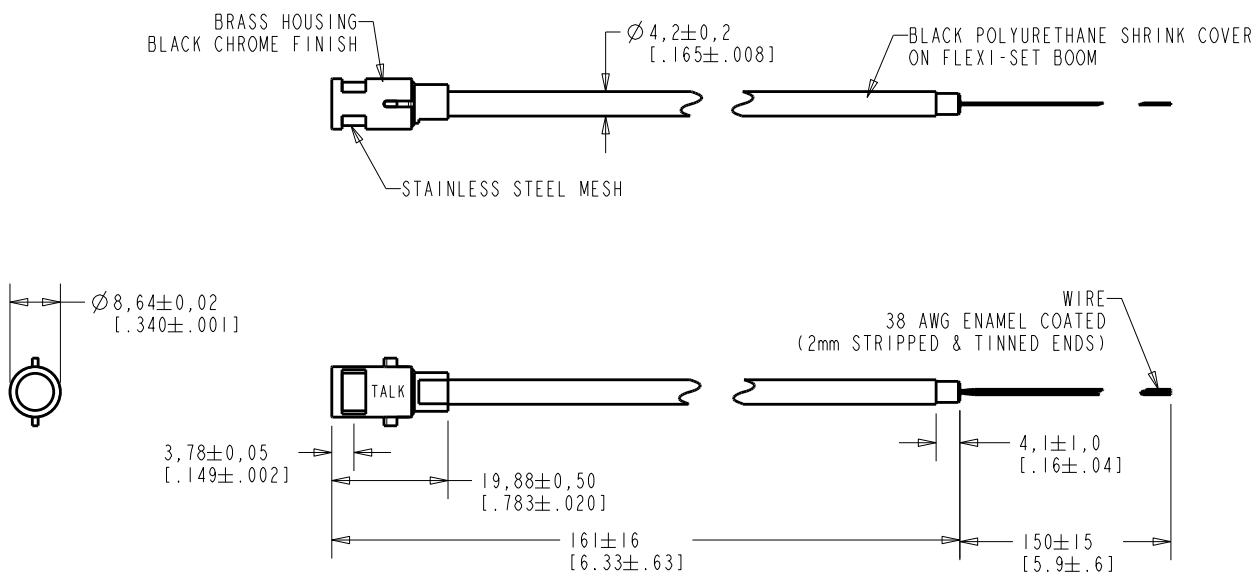


**FB-D0-23511-000**  
SHT 1.1



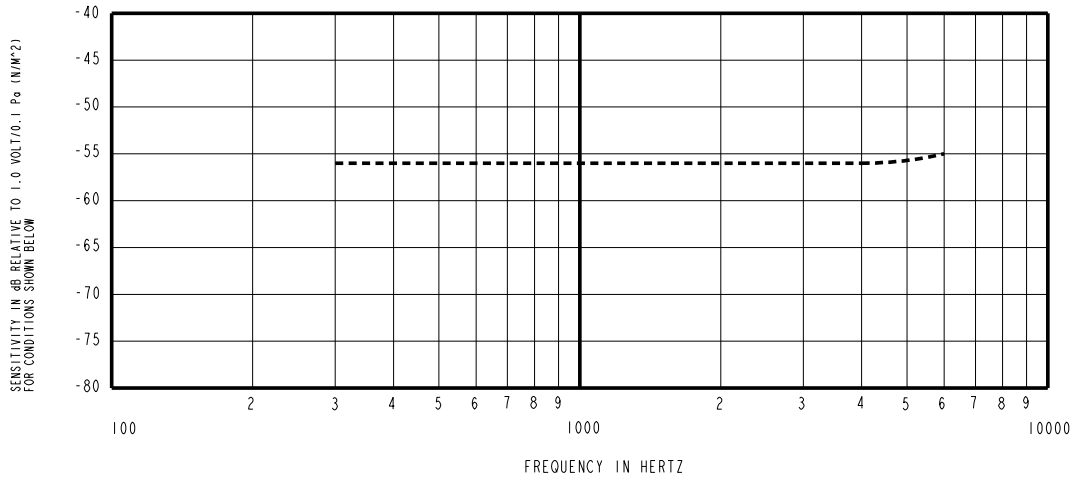
WIRE COLOR				WEIGHT GRAMS
+ve	OUTPUT	-ve	SCREEN	
RED	NATURAL	BLUE	GREEN	11.7

DIMENSIONS IN MILLIMETERS [INCHES]

**KNOWLES ELECTRONICS**  
ITASCA, ILLINOIS U.S.A.

Revision	C.O. #	Implementation Date	RELEASE LEVEL	REVISION
			Active	D
D	C10107744	7-25-08		
SCALE: 1:1			DR. BY	DATE
DO NOT SCALE DRAWING			MMM	6-1-06
TITLE: BOOM MICROPHONE FB-D0-23511-000			CK. BY	DATE
OUTLINE DRAWING			GJP	6-6-06
SHT 1.1			APP. BY	DATE
			GJP	6-6-06

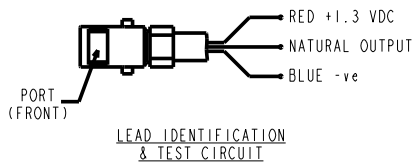
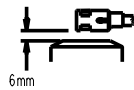
HE111ASIZE.FRM Rev: B



NOTES:

- MICROPHONE TO BE FUNCTIONAL WITH 10 VDC SUPPLY.
- SENSITIVITY VALUES INDICATED ON THIS SPECIFICATION ARE VALID AT 50% HUMIDITY.
- SENSITIVITY

FREQUENCY	MIN	NOM	MAX
300	-60.0	-56.0	-52.0
1000	-59.0	-56.0	-53.0
4000	-60.0	-56.0	-52.0
- TEST CONDITIONS:  
HEAD OF BOOM EXPOSED TO 94 dB SPL SWEPT SOUND FIELD  
AT 6mm FROM VOICE APERTURE.  
ARTIFICIAL VOICE: B & K 4227 MOUTH SIMULATOR.
- FOR MICROPHONE CAPSULE SPEC. SEE WP-23500-000 SHEET 2.1



Revision	C.O. #	Implementation Date	RELEASE LEVEL	REVISION
D	C10107744	7-25-08	Active	D

WHEN TEST LIMITS ARE USED TO ESTABLISH INCOMING INSPECTION ACCEPTANCE/REJECTION CRITERIA, CORRELATION OF TEST EQUIPMENT WITH KNOWLES IS ALSO REQUIRED FOR ELIMINATION OF EQUIPMENT AND TEST METHOD VARIATION		DR. BY	DATE
		MMM	6-1-06
TITLE: <b>BOOM MICROPHONE FB-DO-23511-000</b>		CK. BY	DATE
PERFORMANCE SPECIFICATION		GJP	6-6-06
		APP. BY	DATE
		GJP	6-6-06

**KNOWLES ELECTRONICS**  
ITASCA, ILLINOIS U.S.A.