



Commercial CCT-58

Multi-Throw Internal Terminations DC-26.5GHz

Normally Open

The CCT-58 Switch is an internally terminated, broadband, multi-throw, electromechanical coaxial switch designed to switch a microwave signal from a common input to any of 3, 4, 5, or 6 outputs. The characteristic impedance is 50 Ohms. Internal terminations provide an impedance match for the unselected ports. The switches are small using the popular connector spacing on a 1.062" dia. circle. Each position has an individual actuator mechanism allowing random position selection. This also minimizes switching time.

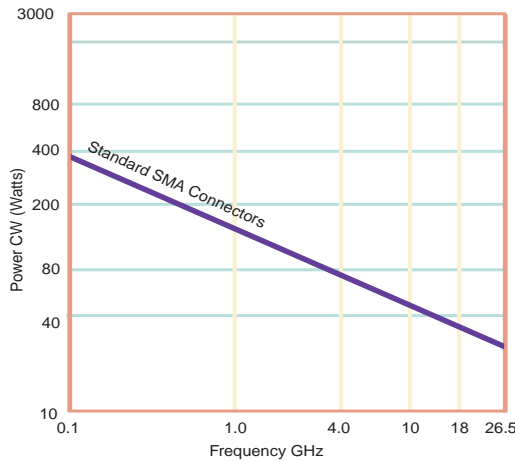
Specifications

RF Contacts:	Break before make			
Actuator	Voltage (VDC) 20°C	12	15	28
	Current (mA)	170	136	180
Switching Time:	15 msec max			
Terminations:	50 Ohm 2 Watts CW max			
Connectors:	SMA (f)			
Weight:	6 oz. max			
Temperature Range:	-40°C to +65°C (Operating)			
Shock:	MIL-STD-202 Method 213, Condition D (500G Non Operating)			
Vibration:	MIL-STD-202 Method 214, Condition D (10G RMS Non Operating)			
Humidity:	Moisture Seal Available			
Typical Contact Life:	5 Million Cycles			
RF Power Handling (Non-Terminated)				

The CCT-58 comes with a normally open actuator. For the normally open actuator, all ports are terminated in 50 Ohms, except the common input port which is open when the switch is de-energized.

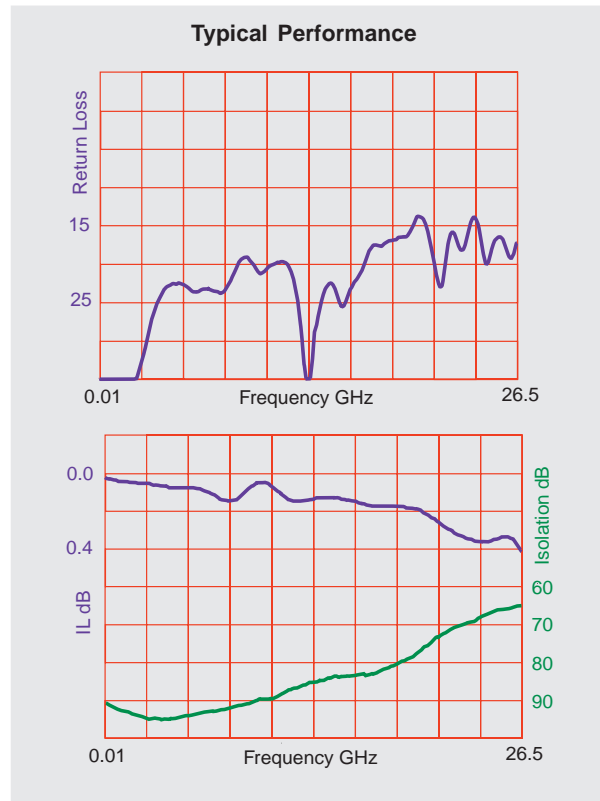
Insertion Loss Repeatability (1 Million Cycles):

DC to 6 GHz: 0.05 dB
 DC to 20 GHz: 0.1 dB



Specifications

	DC-6 GHz	6-12 GHz	12-18 GHz	18-26.5 GHz
VSWR (max)	1.25:1	1.40:1	1.50:1	1.80:1
Insertion Loss (min)	0.20 dB	0.40 dB	0.50 dB	0.80 dB
Isolation (max)	70.0 dB	60.0 dB	60.0 dB	50.0 dB

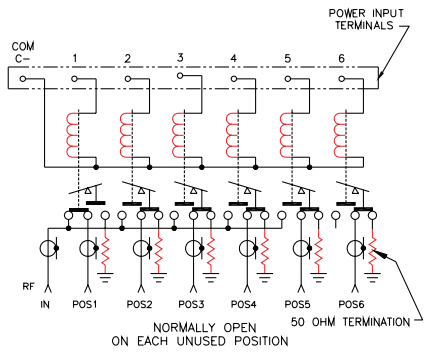


Specifications subject to change without notice.

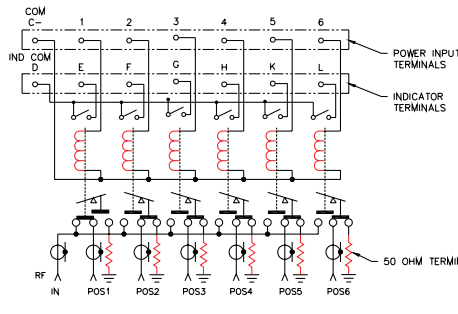
www.teledynecoax.com
 email: coax@teledyne.com

Tel: (800) 351-7368
 10/2007

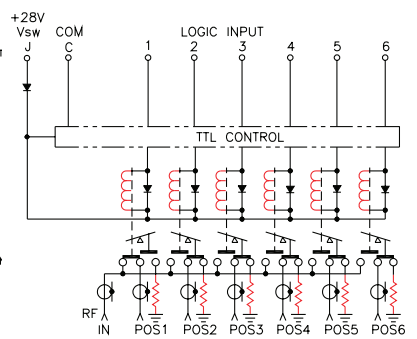
Commercial CCT-58 Multi-Throw Internal Terminations DC-26.5GHz Normally Open



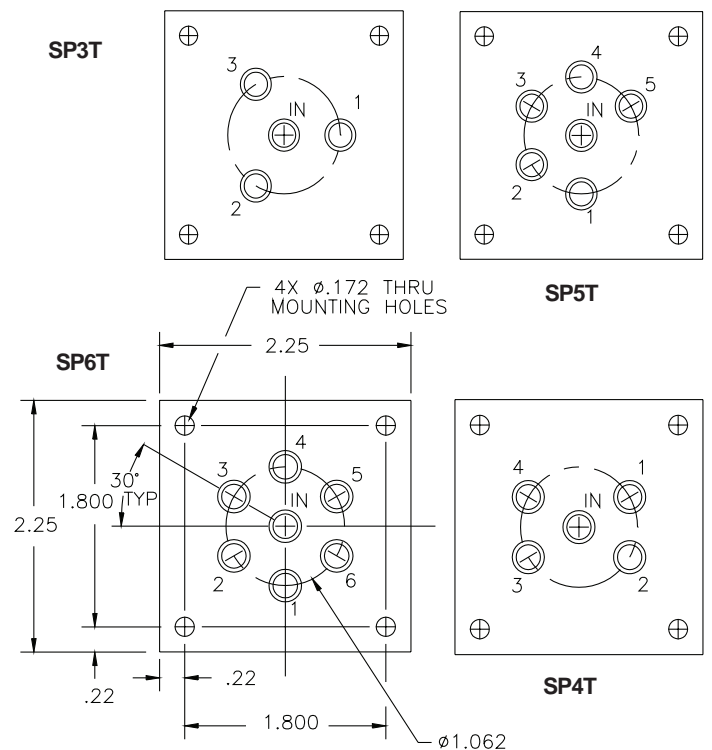
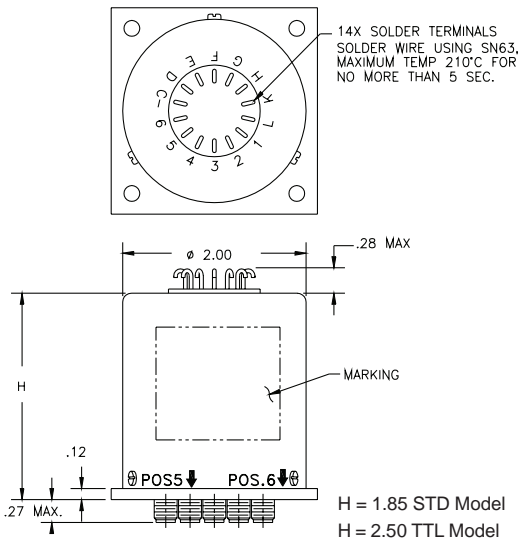
Analogue



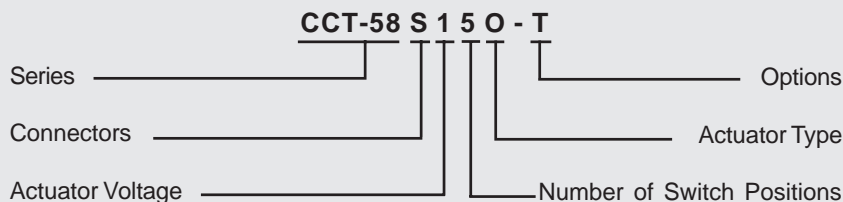
Indicators



TTL



Part Numbering System for CCT-58 (Normally Open)



Connector	Actuator Voltage	Number of Positions	Actuator Type	Options
S: SMA Female	1: 28Vdc Normally Open	3: SP3T	O: No Indicator Contacts	T: TTL Drivers with Diodes
	2: 15Vdc Normally Open	4: SP4T	C: Indicator Contacts	R: Positive + Common
	3: 12Vdc Normally Open	5: SP5T		TD: TTL Driver with Decoder

For other options contact Factory

Actuator Type	Options
3: SP3T	T: TTL Drivers with Diodes
4: SP4T	R: Positive + Common
5: SP5T	TD: TTL Driver with Decoder
6: SP6T	



Specifications subject to change without notice.

www.teledynecoax.com
 email: coax@teledyne.com

Tel: (800) 351-7368

10/2007