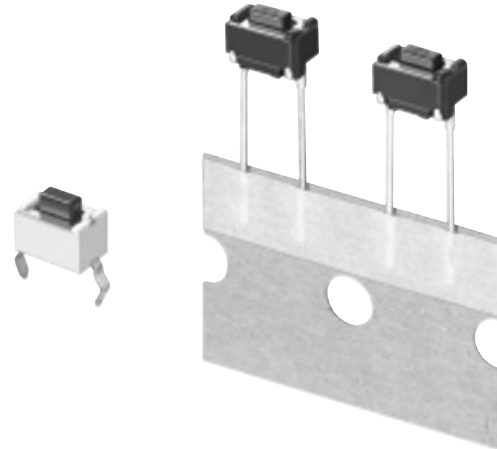


6.0 mm×3.5 mm Square Light Touch Switches

Japan

Type: **EVQPJ**

6.0 mm×3.5 mm size, narrow width type



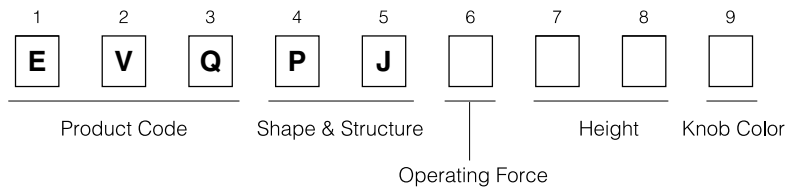
■ Features

- 6.0 mm×3.5 mm-type for space saving, high-density installation
- Excellent distinct click feeling
- Wave soldering available
- Excellent soldering heat endurance due to heat-resistant resin
- Excellent mounting efficiency with radial taping package

■ Recommended Applications

- Car Audio Equipment
- Compact Disc Players
- Operating switches for Electronic Equipment

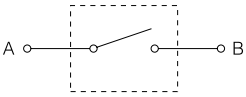
■ Explanation of Part Numbers




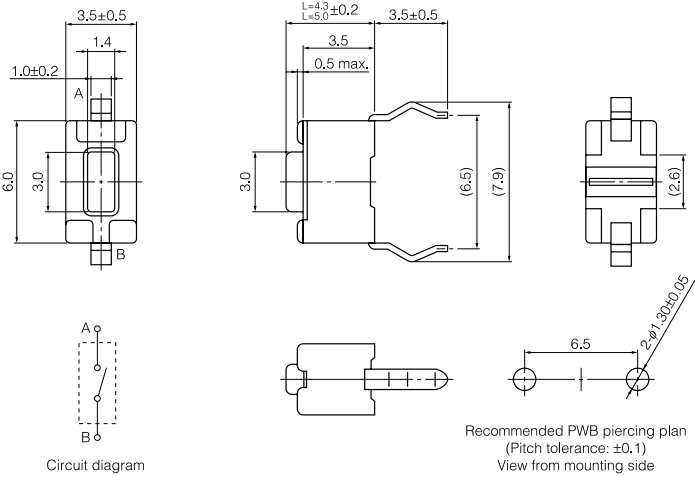

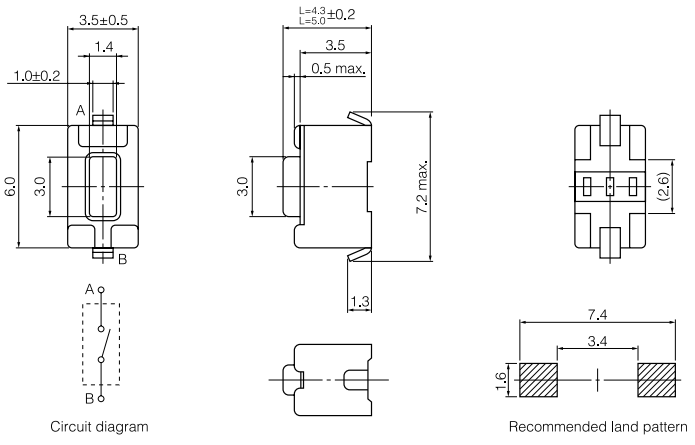
■ Product Chart

| Operating Force | Type | Bulk Type | SMD | Radial Taping | Height |
|-----------------|------|-----------|--------|---------------|----------------------|
| 1.0 N±0.5 N | | EVQPJA | EVQPJS | EVQPJG | H=4.3 mm H=5.0 mm |
| 1.6 N±0.5 N | | EVQPJB | EVQPJX | EVQPJH | |
| 2.4 N±0.6 N | | EVQPJC | EVQPJU | EVQPJJ | |

Major Specifications

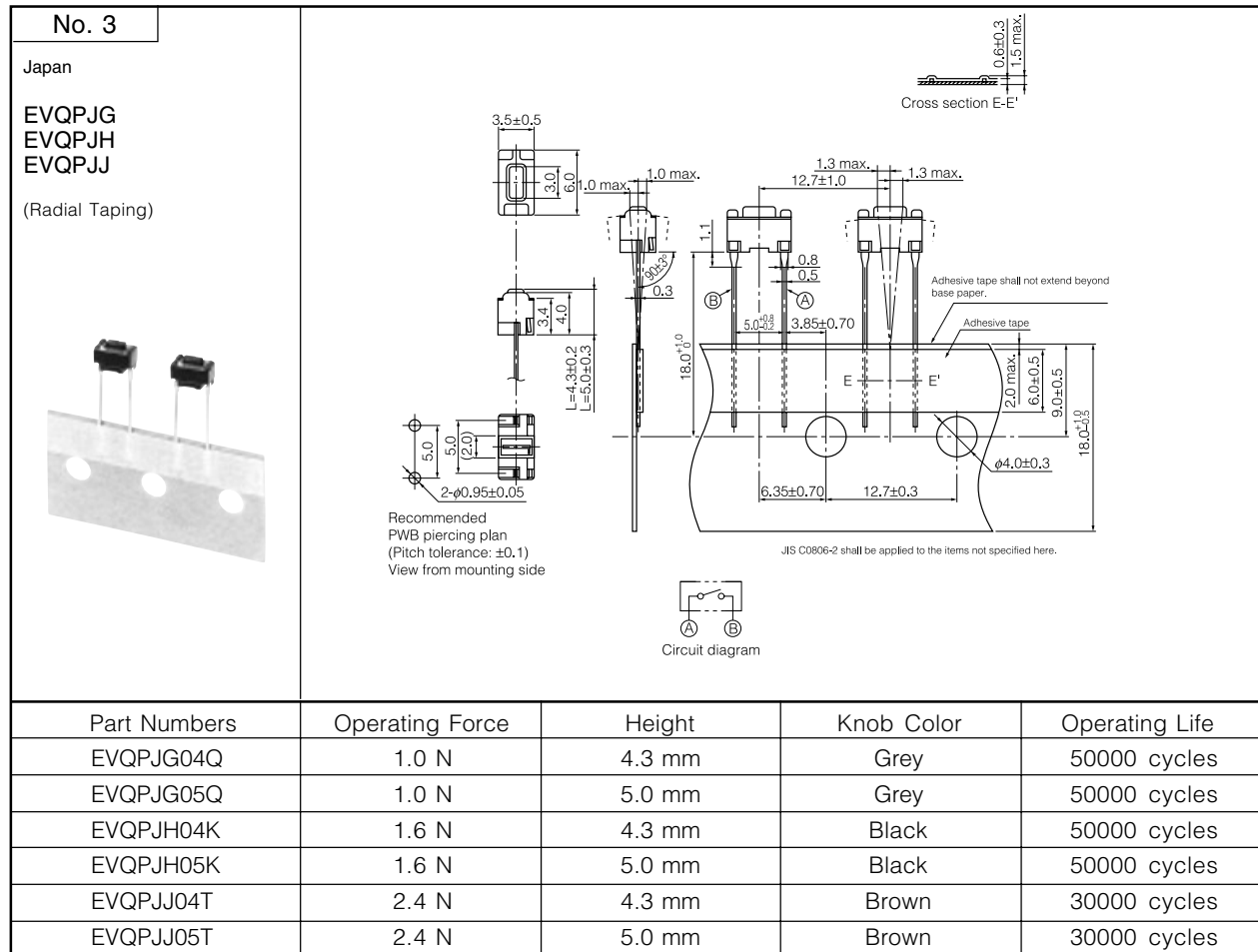
| Type | Snap action/Push-on type SPST | | |
|-----------------------------------|---------------------------------|---|---------------------------------------|
| Electrical | Circuit Diagram |  | |
| | Rating | 50 mA 12 Vdc | |
| | Contact Resistance | 100 mΩ max. | |
| | Insulation Resistance | 100 MΩ min. (at 100 Vdc) | |
| | Dielectric Withstanding Voltage | 250 Vac for 1 minute | |
| | Bouncing | 10 ms max. | |
| Mechanical | Operating Force | 1.0 N±0.5 N (Low force type) 1.6 N±0.5 N (Standard) | 2.4 N±0.6 N |
| | Travel | 0.25 mm ^{+0.20} _{-0.10} mm | |
| Endurance | Operating Life | 50000 cycles min. | 30000 cycles min. |
| | Operating Temperature | -30 °C to +85 °C | |
| | Storage Temperature | -40 °C to +85 °C (Bulk) -20 °C to +40 °C (Taping) | |
| Minimum Quantity/ Packing Unit | EVQPJA EVQPJB EVQPJC | 1000 pcs. (Vinyl Bag) | |
| | EVQPJS EVQPJX EVQPJU | 2000 pcs. (Reel Pack) (H = 5.0 mm) | 2500 pcs. (Reel Pack) (H = 4.3 mm) |
| | EVQPJG EVQPJH EVQPJJ | 2000 pcs. (Radial Taping) | |
| Quantity/Carton | EVQPJA EVQPJB EVQPJC | 10000 pcs. | |
| | EVQPJS EVQPJX EVQPJU | 10000 pcs. (H = 5.0 mm) | 12500 pcs. (H = 4.3 mm) |
| | EVQPJG EVQPJH EVQPJJ | 20000 pcs. | |

■ Dimensions in mm (not to scale)

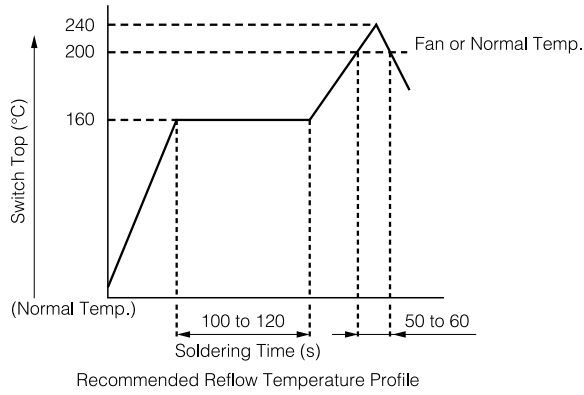
| No. 1 | | | | |
|--|-----------------|--------|------------|----------------|
| Japan EVQPJA EVQPJB EVQPJC (Bulk) | | | | |
|  | | | | |
|  | | | | |
| Part Numbers | Operating Force | Height | Knob Color | Operating Life |
| EVQPJA04Q | 1.0 N | 4.3 mm | Grey | 50000 cycles |
| EVQPJA05Q | 1.0 N | 5.0 mm | Grey | 50000 cycles |
| EVQPJB04K | 1.6 N | 4.3 mm | Black | 50000 cycles |
| EVQPJB05K | 1.6 N | 5.0 mm | Black | 50000 cycles |
| EVQPJC04T | 2.4 N | 4.3 mm | Brown | 30000 cycles |
| EVQPJC05T | 2.4 N | 5.0 mm | Brown | 30000 cycles |
| No. 2 | | | | |
| Japan EVQPJS EVQPJX EVQPJU (Embossed Taping) 6 mm×3.5 mm Square SMD | | | | |
|  | | | | |
|  | | | | |
| Part Numbers | Operating Force | Height | Knob Color | Operating Life |
| EVQPJS04K | 1.0 N | 4.3 mm | Black | 50000 cycles |
| EVQPJS05K | 1.0 N | 5.0 mm | Black | 50000 cycles |
| EVQPJX04M | 1.6 N | 4.3 mm | Natural | 50000 cycles |
| EVQPJX05M | 1.6 N | 5.0 mm | Natural | 50000 cycles |
| EVQPJU04K | 2.4 N | 4.3 mm | Black | 30000 cycles |
| EVQPJU05K | 2.4 N | 5.0 mm | Black | 30000 cycles |

Design and specifications are subject to change without notice. Ask factory for technical specifications before purchase and/or use.
 Whenever a doubt about safety arises from this product, please contact us immediately for technical consultation.

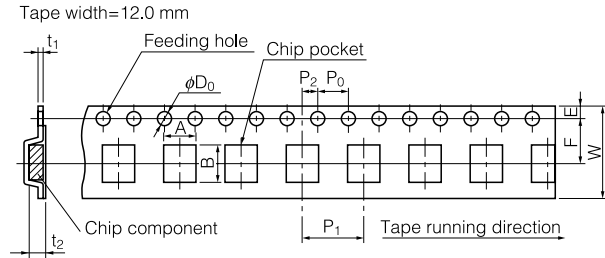
■ Dimensions in mm (not to scale)



■ Recommended Reflow Soldering Conditions



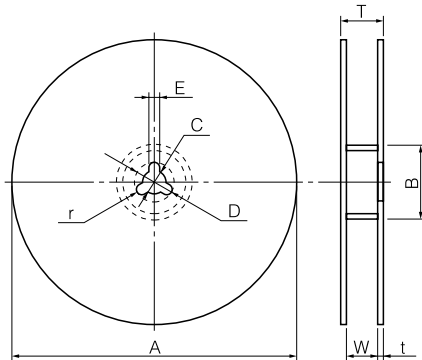
● Embossed Carrier Taping



Unit: mm

| Part No. | Height | A | B | W | F | E | P ₁ | P ₂ | P ₀ | D ₀ Dia. | t ₁ | t ₂ |
|----------|---------|-----------|-----------|----------|---------|-----------|----------------|----------------|----------------|----------------------------------|----------------|----------------|
| EVQPJS | | | | | | | | | | | | |
| EVQPJX | 4.3/5.0 | 4.45±0.20 | 7.25±0.20 | 12.0±0.3 | 5.5±0.1 | 1.75±0.10 | 8.0±0.1 | 2.0±0.1 | 4.0±0.1 | 1.5 ^{+0.1} ₀ | 0.30±0.05 | 4.5/5.2±0.2 |
| EVQPJU | | | | | | | | | | | | |

● Standard Reel Dimensions in mm (not to scale)



| Item | A | B | C | D | E |
|-----------|------------|------------|-----------|-----------|---------|
| Rate (mm) | φ370.0±2.0 | φ50.0 min. | φ13.0±0.5 | φ21.0±1.0 | 2.0±0.5 |

| Item | W | T | t | r |
|-----------|----------|---|------------|---------|
| Rate (mm) | 14.0±1.5 | — | 1.0 to 3.0 | 1.0±0.5 |