

Subminiature Basic Switch SSG

Global Subminiature Basic Switch Conforming to EN61058-1 (EC601058-1), UL1054, and CSA C22.2 No. 54

- A wide operating temperature range of -25°C to 125°C is available for at high-temperature use.
- Flexible change lever using the external snap-fit lever.
- PCB terminal models are resistant to flux.
- Even-pitched PCB terminals conform to IEC1020-6-2.
- Mounting hold size conforms to IEC1020-6-2.
- RoHS Compliant.



Ordering Information

Model Number Legend

SSG-
1 2 3 4 5

1. Ratings

0.1: 0.1A
5: 5A

2. Actuator

Note: Pin plunger
L1: Hinge lever
L3: Simulated hinge lever
L2: Hinge roller lever

3. Contact Form

None: SPDT
-2: SPST-NC
-3: SPST-NO

4. Terminals

H: Solder
T: Quick-connect terminals (#110)
P: PCB

5. Operating Force max.

None: 1.5 N {153gf}
-5: 0.5 N {51 gf}

Note: These values are for the pin plunger model.

List of Models

Actuator	Rating	OF max.	Solder	Quick-connect terminal (#110)	PCB
Pin plunger	0.1 A	1.50 N {153 gf}	SSG-01H	SSG-01T	SSG-01P
		0.50 N {51 gf}	SSG-01H-5	SSG-01T-5	SSG-01P-5
	5 A	1.50 N {153 gf}	SSG-5H	SSG-5T	SSG-5P
		0.50 N {51 gf}	SSG-5H-5	SSG-5T-5	SSG-5P-5
Hinge lever	0.1 A	0.60 N {61 gf}	SSG-01L1H	SSG-01L1T	SSG-01L1P
		0.20 N {20 gf}	SSG-01L1H-5	SSG-01L1T-5	SSG-01L1P-5
	5 A	0.60 N {61 gf}	SSG-5L1H	SSG-5L1T	SSG-5L1P
		0.20 N {20 gf}	SSG-5L1H-5	SSG-5L1T-5	SSG-5L1P-5
Simulated hinge lever	0.1 A	0.60 N {61 gf}	SSG-01L3H	SSG-01L3T	SSG-01L3P
		0.20 N {20 gf}	SSG-01L3H-5	SSG-01L3T-5	SSG-01L3P-5
	5 A	0.60 N {61 gf}	SSG-5L3H	SSG-5L3T	SSG-5L3P
		0.20 N {20 gf}	SSG-5L3H-5	SSG-5L3T-5	SSG-5L3P-5
Hinge roller lever	0.1 A	0.60 N {61 gf}	SSG-01L2H	SSG-01L2T	SSG-01L2P
		0.20 N {20 gf}	SSG-01L2H-5	SSG-01L2T-5	SSG-01L2P-5
	5 A	0.60 N {61 gf}	SSG-5L2H	SSG-5L2T	SSG-5L2P
		0.20 N {20 gf}	SSG-5L2H-5	SSG-5L2T-5	SSG-5L2P-5

Note: SPST models are also available, but not listed in the above table.

Specifications

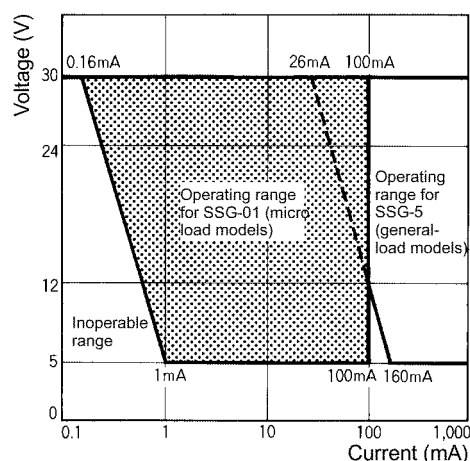
■ Ratings

General Ratings

Rated voltage	Non-inductive load				Inductive load			
	Resistive load		Lamp load		Inductive load		Motor load	
	NC	NO	NC	NO	NC	NO	NC	NO
125 VAC	5 (0.1) A (see note 1)		1.5 A	0.7 A	3 A		2.5 A	1.3 A
250 VAC	3 A		1	0.5 A	2 A		1.5 A	0.8 A
8 VDC	5 A		2 A		5 A		3 A	
14 VDC	5 A		2 A		4 A		3 A	
30 VDC	4 (0.1) A (see note 1)		2 A		3 A		3 A	
125 VDC	0.4 A		0.05 A		0.4 A		0.05 A	
250 VDC	0.2 A		0.03 A		0.2 A		0.05 A	

- Note:**
1. The values in the parentheses are for the SSG-01.
 2. The above current ratings are the values of the steady-state current.
 3. Inductive load has a power factor of 0.7 min. (AC) and a time constant of 7 ms max. (DC).
 4. Lamp load has an inrush current of 10 times the steady-state current.
 5. Motor load has an inrush current of 6 times the steady-state current.
 6. If the Switch is used in a DC circuit and is subjected to a surge current, connect a surge suppressor across the switch.

Use the Switch in the following operation range.



Model	SSG-01	SSG-5
Minimum applicable load	1 mA at 5 VDC	160 mA at 5 VDC

■ Characteristics

Operating speed	0.1 mm to 1 m/s (at pin plunger models)
Operating frequency	Mechanical: 400 operations per minute Electrical: 60 operations per minute
Insulation resistance	100 MΩ min.
Contact resistance	OF 1.50 N: SSG-5 models: 30 mΩ max. SSG-01 models: 50 mΩ max. OF 0.50 N: SSG-5 models: 50 mΩ max. SSG-01 models: 100 mΩ max.
Dielectric strength	1,000 VAC, 50/60 Hz for 1 min. between contacts of the same polarity (600 VAC for SSG-01H and SSG-01T models) 1,500 VAC, 50/60 Hz for 1 min. between each terminal and ground 1,500 VAC, 50/60 Hz for 1 min. between each terminal and non-current-carrying metal part
Vibration resistance	Malfunction: 10 to 2,000 Hz, 196 m/s ² {20G} (contact open: 10 μs max., lever position: at TTP)
Shock resistance	Malfunction: 490 m/s ² {approx. 50G} (contact open: 10 μs max., lever position: at TTP)
Life expectancy	Mechanical: 10,000,000 operations min. (OT: rated value) Electrical: 200,000 operations min. (5 A at 125 VAC for SSG-5, 0.1 A at 125 VAC for SSG-01 resistive OT: full)
Degree of protection (IP code)	IP00
Degree of protection against electrical shock	Class I
Ambient temperature	Operating: -25°C to 125°C (with no icing)
Ambient humidity	Operating: 85% max. (5°C to 30°C)
Proof tracking index	175
Switch category (IEC335-1)	D
Weight	Approx. 1.6 g (pin plunger models)

■ Approved Standards

Standard	EN61058-1/EC60158-1
Approval body	TÜV Rheinland (File No. T9451449) BEAB (File No. C0746) IMQ (File No. EL662) VDE (File No. 100873, EN61058-1 1992+ AI: 1993)
Rating	SSG-5 models: 5 A at 250 VAC (T125, 50,000 operations) SSG-01 models: 0.1 A at 30 VDC (T125, 50,000 operations)

UL1054 (File No. E41515), CSA C22.2 No. 55 (File No. LR21642) Approved Ratings

SSG-5 Models: 5 A at 125 VAC, 3 A at 250 VAC
3 A at 250 VAC, 3 A at 30 VDC (100,000 operations)
SSG-01 Models: 0.1 A at 125 VAC, 0.1 A at 30 VDC

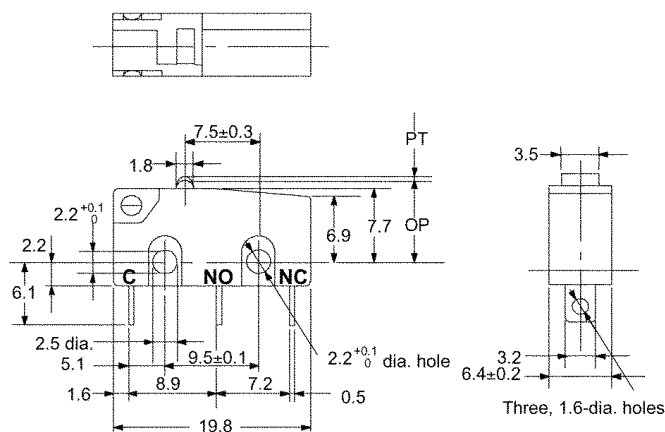
■ Contact

Item		SSG-5	SSG-01H.T	SSG-01P
Contact	Specification	Rivet	Crossbar	Crossbar
	Material	Silver	Gold alloy	Gold alloy
	Gap (standard value)	0.5 mm	0.25 mm	0.5 mm
Inrush current	NC	20 A max.	1 A max.	1 A max.
	NO	10 A max.	1 A max.	1 A max.

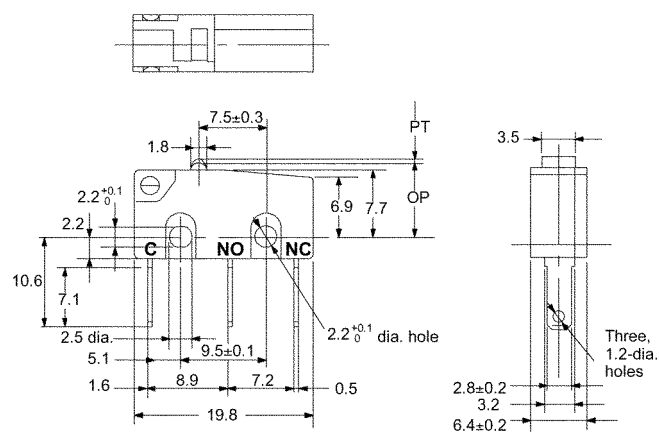
Dimensions

■ Terminals

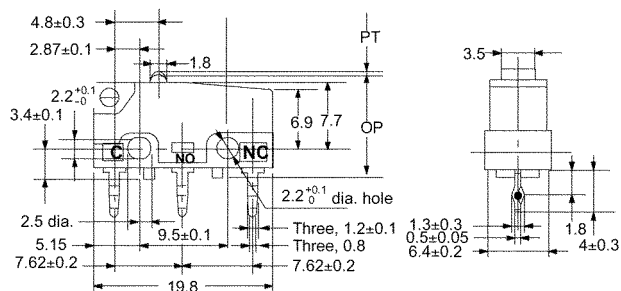
Solder Terminals



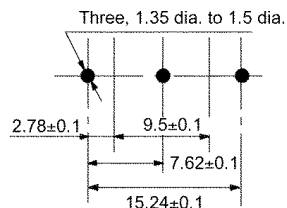
Quick connect Terminals (#110)



PCB Terminals



PCB Mounting



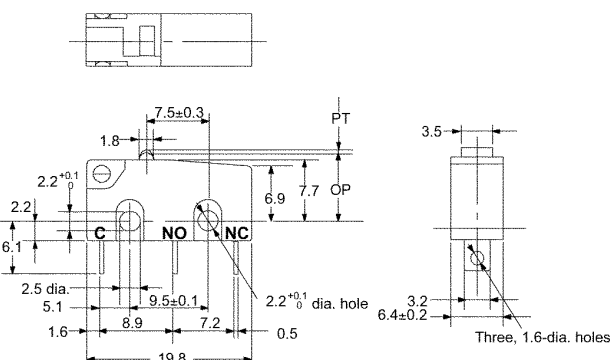
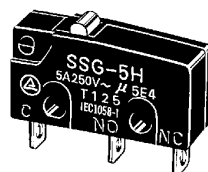
■ Dimensions and Operating Characteristics

- Note:** 1. All units are in millimeters unless otherwise indicated
 2. Every actual model number includes the code instead of □ for the kind of terminals incorporated by the model.
 3. Unless otherwise specified, a tolerance of ±0.25 mm applies to all dimensions.

Solder/Quick-connect Terminal

Pin Plunger

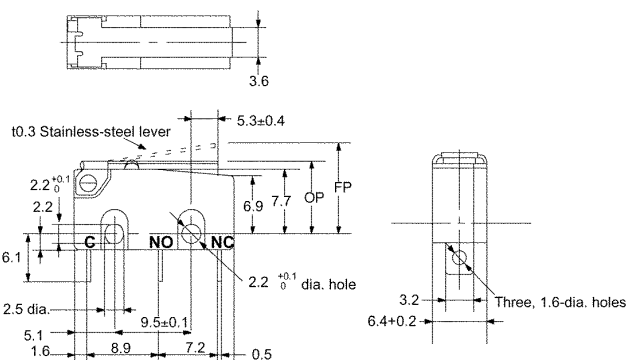
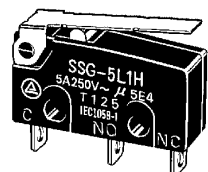
- SSG-01□
 SSG-5□
 SSG-01□-5
 SSG-5□-5



Model	SSG-01□ SSG-5□	SSG-01□-5 SSG-5□-5
OF max.	1.50 N {153 gf}	0.50 N {51 gf}
RF min.	0.25 N {25 gf}	0.04 N {4 gf}
PT max.	0.6 mm	
OT min.	0.4 mm	
MD max.	0.1 mm	
FP max.	—	
OP	8.4±0.3 mm	

Hinge Lever

- SSG-01L1□
 SSG-5L1□
 SSG-01L1□-5
 SSG-5L1□-5

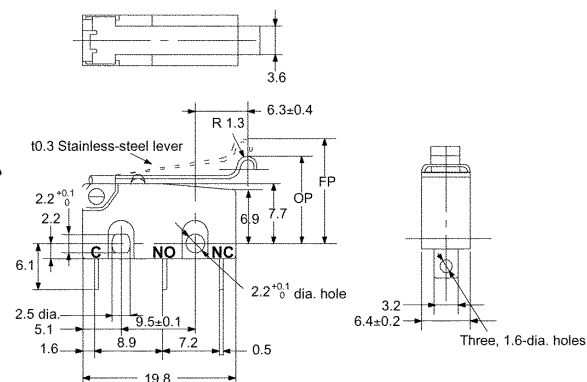
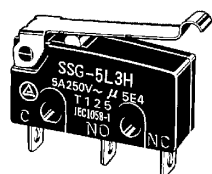


Model	SSG-01L1□ SSG-5L1□	SSG-01L1□-5 SSG-5L1□-5
OF max.	0.60 N {61 gf}	0.20 N {20 gf}
RF min.	0.06 N {6 gf}	0.02 N {2 gf}
PT max.	1.0 mm	
OT min.	0.8 mm	
MD max.	—	
FP max.	13.6 mm	
OP	8.8 ^{+1.0} / _{-0.6} mm	

Note: Also available are models with a hinge lever length of 39 mm under the following model numbers: SSG-01L14□, SSG-5L14□, SSG01L14□-5, and SSG-5L14□-5. Contact your OMRON representative for these models.

Simulated Hinge Lever

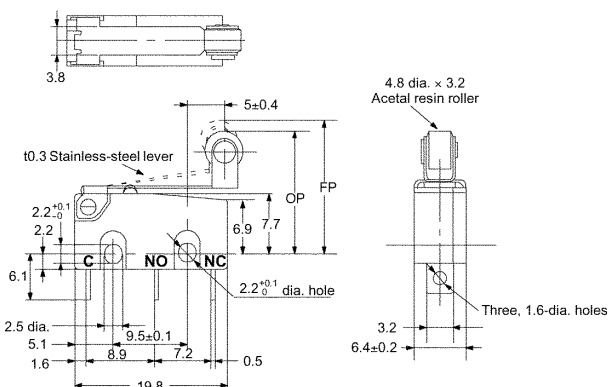
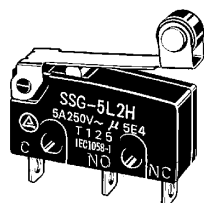
- SSG-01L3□
- SSG-5L3□
- SSG-01L3□-5
- SSG-5L3□-5



Model	SSG-01L3□ SSG-5L3□	SSG-01L3□-5 SSG-5L3□-5
OF max.	0.60 N {61 gf}	0.20 N {20 gf}
RF min.	0.06 N {6 gf}	0.02 N {2 gf}
PT max.	1.0 mm	
OT min.	0.8 mm	
MD max.	—	
FP max.	15.5 mm	
OP	10.7 ^{+1.0} / _{-0.6} mm	

Hinge Roller Lever

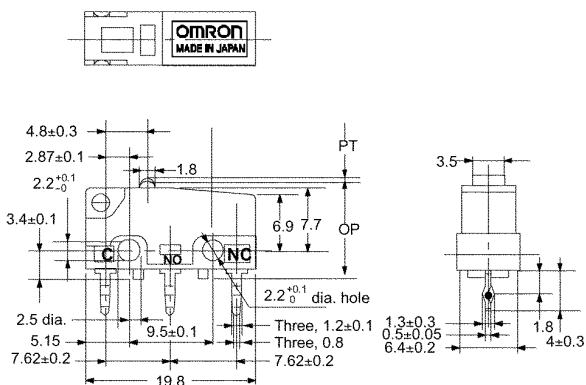
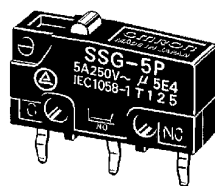
- SSG-01L2□
- SSG-5L2□
- SSG-01L2□-5
- SSG-5L2□-5



Model	SSG-01L2□ SSG-5L2□	SSG-01L2□-5 SSG-5L2□-5
OF max.	0.60 N {61 gf}	0.20 N {20 gf}
RF min.	0.06 N {6 gf}	0.02 N {2 gf}
PT max.	1.0 mm	
OT min.	0.8 mm	
MD max.	—	
FP max.	19.0 mm	
OP	14.5 ^{+1.0} / _{-0.6} mm	

PCB Terminal

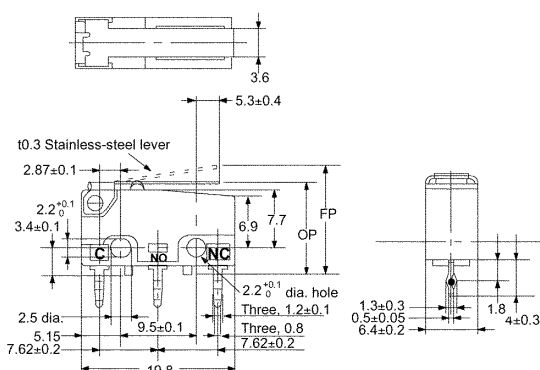
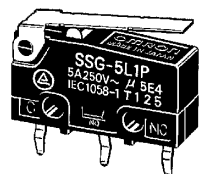
- Pin Plunger
- SSG-01P
- SSG-5P
- SSG-01P-5
- SSG-5P-5



Model	SSG-01P SSG-5P	SSG-01P-5 SSG-5P-5
OF max.	1.50 N {153 gf}	0.50 N {51 gf}
RF min.	0.25 N {25 gf}	0.04 N {4 gf}
PT max.	0.6 mm	
OT min.	0.4 mm	
MD max.	0.1 mm	
FP max.	—	
OP	11.8±0.4 mm	

Hinge Lever

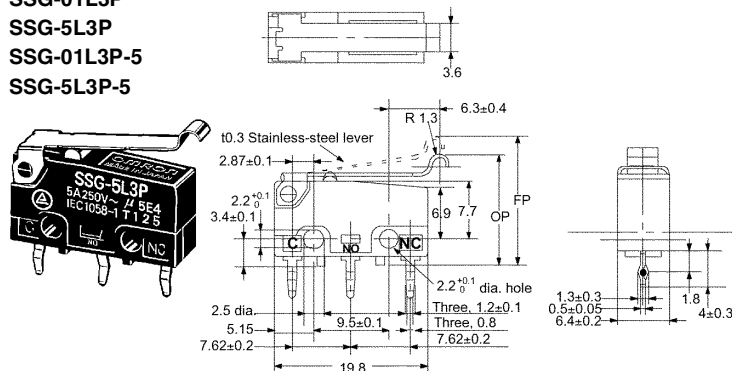
- SSG-01L1P
- SSG-5L1P
- SSG-01L1P-5
- SSG-5L1P-5



Model	SSG-01L1P SSG-5L1P	SSG-01L1P-5 SSG-5L1P-5
OF max.	0.60 N {61 gf}	0.20 N {20 gf}
RF min.	0.06 N {6 gf}	0.02 N {2 gf}
PT max.	—	
OT min.	1.0 mm	
MD max.	0.8 mm	
FP max.	17 mm	
OP	12.2 ^{+1.1} / _{-0.7} mm	

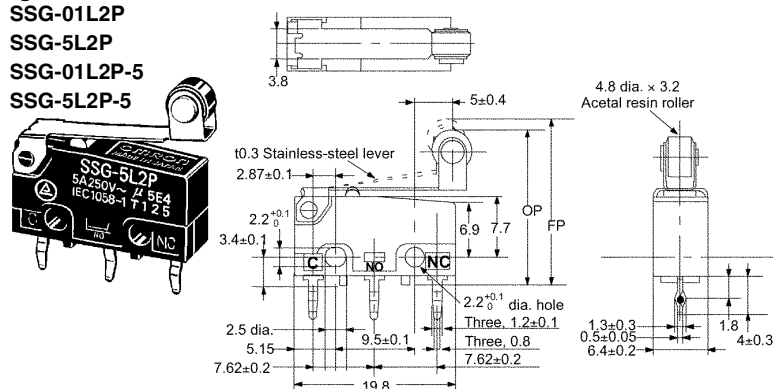
Note: Also available are models with a hinge lever length of 39 mm under the following model numbers: SSG-01L14P, SSG-5L14P, SSG-01L14P-5, and SSG-5L14P-5. Contact your OMRON representative for these models.

Simulated Hinge Lever
SSG-01L3P
SSG-5L3P
SSG-01L3P-5
SSG-5L3P-5



Model	SSG-01L3P SSG-5L3P	SSG-01L3P-5 SSG-5L3P-5
OF max.	0.60 N {61 gf}	0.20 N {20 gf}
RF min.	0.06 N {6 gf}	0.02 N {2 gf}
PT max.	—	
OT min.	1.0 mm	
MD max.	0.8 mm	
FP max.	18.9 mm	
OP	14.4 ^{+1.1} / _{-0.7} mm	

Hinge Roller Lever
SSG-01L2P
SSG-5L2P
SSG-01L2P-5
SSG-5L2P-5



Model	SSG-01L2P SSG-5L2P	SSG-01L2P-5 SSG-5L2P-5
OF max.	0.60 N {61 gf}	0.20 N {20 gf}
RF min.	0.06 N {6 gf}	0.02 N {2 gf}
PT max.	—	
OT min.	1.0 mm	
MD max.	0.8 mm	
FP max.	22.4 mm	
OP	17.9 ^{+1.1} / _{-0.7} mm	

Precautions

Terminal Connections

When soldering a lead wire to a switch terminal, insert the wire conductor into the hole of the switch terminal and take the following steps promptly.

- Make sure that the capacity of the soldering iron is 60 W maximum. Do not take more than 5 s to solder the switch terminal. Improper soldering involving an excessively high temperature or excessive soldering time may deteriorate the characteristics of the Switch.
- Be sure to apply only the minimum required amount of flux. The SSG may have contact failures if flux intrudes into the interior of the SSG.
- Use the following lead wires to connect to the solder terminals.

Type	Conductor size
SSG-01	AWG 22 to 20
SSG-5	AWG 20 to 18

- Soldering Categories (Refer to the conditions of EN61058-1).

Type	Classified by EN61058-1
Solder terminal	Soldering iron used with soldering hole Solder terminal type 1.2
PCB terminal	Soldering bath used Solder terminal type 1.2

To automatically solder the Switch to a PCB in a soldering bath, complete soldering within 5 seconds at a flux temperature of 250°C and avoid the overflow of flux onto the surface of the PCB where the Switch or other parts are mounted.

Wire the quick-connect terminals (#110) with receptacles. Insert the terminals straight into the receptacles. Do not impose excessive force on the terminal in the horizontal direction, otherwise the terminal may be deformed or the housing may be damaged.

Insulation Distance

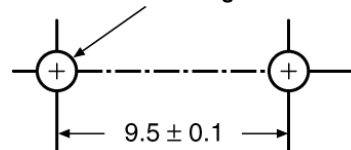
The Switch does not have a ground terminal. The minimum distance through insulation (IEC61058-1) is 0.9 mm. If proper insulation for the end product cannot be secured, additional insulation such as a Separator or insulation cover should be attached.

Mounting

When securing the SSG, be sure to use M2.2 mounting screws and tighten the screws with flat washers and spring washers securely within a torque range between 0.20 to 0.24 N • m (2 to 2.5 kgf • cm).

Mounting Holes

Two 2.4-dia. mounting holes or M2.3 screw holes



Make sure that the plate to which the SSG is mounted is flat. If the plate has protruding or warped part, the SSG may not operate properly.

Operating Stroke

Make sure that the operating stroke is 70% to 100% of the rated OT distance. Do not operate the actuator exceeding the OT distance otherwise the life expectancy of the SSG may be shortened.

Omron Electronic Components, LLC

Terms and Conditions of Sales

I. GENERAL

- Definitions:** The words used herein are defined as follows.
 - Terms: These terms and conditions
 - Seller: Omron Electronic Components LLC and its subsidiaries
 - Buyer: The buyer of Products, including any end user in section III through VI
 - Products: Products and/or services of Seller
 - Including: Including without limitation
- Offer/Acceptance:** These Terms are deemed part of all quotations, acknowledgments, invoices, purchase orders and other documents, whether electronic or in writing, relating to the sale of Products by Seller. Seller hereby objects to any Terms proposed in Buyer's purchase order or other documents which are inconsistent with, or in addition to, these Terms.
- Distributor:** Any distributor shall inform its customer of the contents after and including section III of these Terms.

II. SALES

- Prices/Payment:** All prices stated are current, subject to change without notice by Seller. Buyer agrees to pay the price in effect at time of shipment. Payments for Products received are due net 30 days unless otherwise stated in the invoice. Buyer shall have no right to set off any amounts against the amount owing in respect of this invoice.
- Discounts:** Cash discounts, if any, will apply only on the net amount of invoices sent to Buyer after deducting transportation charges, taxes and duties, and will be allowed only if (a) the invoice is paid according to Seller's payment terms and (b) Buyer has no past due amounts owing to Seller.
- Interest:** Seller, at its option, may charge Buyer 1.5% interest per month or the maximum legal rate, whichever is less, on any balance not paid within the stated terms.
- Orders:** Seller will accept no order less than 200 U.S. dollars net billing.
- Currencies:** If the prices quoted herein are in a currency other than U.S. dollars, Buyer shall make remittance to Seller at the then current exchange rate most favorable to Seller; provided that if remittance is not made when due, Buyer will convert the amount to U.S. dollars at the then current exchange rate most favorable to Seller available during the period between the due date and the date remittance is actually made.
- Governmental Approvals:** Buyer shall be responsible for all costs involved in obtaining any government approvals regarding the importation or sale of the Products.
- Taxes:** All taxes, duties and other governmental charges (other than general real property and income taxes), including any interest or penalties thereon, imposed directly or indirectly on Seller or required to be collected directly or indirectly by Seller for the manufacture, production, sale, delivery, importation, consumption or use of the Products sold hereunder (including customs duties and sales, excise, use, turnover and license taxes) shall be charged to and remitted by Buyer to Seller.
- Financial:** If the financial position of Buyer at any time becomes unsatisfactory to Seller, Seller reserves the right to stop shipments or require satisfactory security or payment in advance. If Buyer fails to make payment or otherwise comply with these Terms or any related agreement, Seller may (without liability and in addition to other remedies) cancel any unshipped portion of Products sold hereunder and stop any Products in transit until Buyer pays all amounts, including amounts payable hereunder, whether or not then due, which are owing to it by Buyer. Buyer shall in any event remain liable for all unpaid accounts.
- Cancellation/Etc:** Orders are not subject to rescheduling or cancellation unless Buyer indemnifies Seller fully against all costs or expenses arising in connection therewith.
- Force Majeure:** Seller shall not be liable for any delay or failure in delivery resulting from causes beyond its control, including earthquakes, fires, floods, strikes or other labor disputes, shortage of labor or materials, accidents to machinery, acts of sabotage, riots, delay in or lack of transportation or the requirements of any government authority.
- Shipping/Delivery:** Unless otherwise expressly agreed in writing by Seller:
 - All sales and shipments of Products shall be FOB shipping point (unless otherwise stated in writing by Seller), at which point title to and all risk of loss of the Products shall pass from Seller to Buyer, provided that Seller shall retain a security interest in the Products until the full purchase price is paid by Buyer;
 - Delivery and shipping dates are estimates only; and
 - Seller will package Products as it deems proper for protection against normal handling and extra charges apply to special conditions.
- Claims:** Any claim by Buyer against Seller for shortage or damage to the Products occurring before delivery to the carrier must be presented in detail in writing to Seller within 30 days of receipt of shipment.

III. PRECAUTIONS

- Suitability:** IT IS THE BUYER'S SOLE RESPONSIBILITY TO ENSURE THAT ANY OMRON PRODUCT IS FIT AND SUFFICIENT FOR USE IN A MOTORIZED VEHICLE APPLICATION. BUYER SHALL BE SOLELY RESPONSIBLE FOR DETERMINING APPROPRIATENESS OF THE PARTICULAR PRODUCT WITH RESPECT TO THE BUYER'S APPLICATION INCLUDING (A) ELECTRICAL OR ELECTRONIC COMPONENTS, (B) CIRCUITS, (C) SYSTEM ASSEMBLIES, (D) END PRODUCT, (E) SYSTEM, (F) MATERIALS OR SUBSTANCES OR (G) OPERATING ENVIRONMENT. Buyer acknowledges that it alone has determined that the Products will meet their requirements of the intended use in all cases. Buyer must know and observe all prohibitions of use applicable to the Product/s.
- Use with Attention:** The followings are some examples of applications for which particular attention must be given. This is not intended to be an exhaustive list of all possible use of any Product, nor to imply that any use listed may be suitable for any Product:
 - Outdoor use, use involving potential chemical contamination or electrical interference.
 - Use in consumer Products or any use in significant quantities.

- Energy control systems, combustion systems, railroad systems, aviation systems, medical equipment, amusement machines, vehicles, safety equipment, and installations subject to separate industry or government regulations.
 - Systems, machines, and equipment that could present a risk to life or property.
- Prohibited Use:** NEVER USE THE PRODUCT FOR AN APPLICATION INVOLVING SERIOUS RISK TO LIFE OR PROPERTY WITHOUT ENSURING THAT THE SYSTEM AS A WHOLE HAS BEEN DESIGNED TO ADDRESS THE RISKS, AND THAT THE PRODUCT IS PROPERLY RATED AND INSTALLED FOR THE INTENDED USE WITHIN THE OVERALL EQUIPMENT OR SYSTEM.
 - Motorized Vehicle Application:** USE OF ANY PRODUCT/S FOR A MOTORIZED VEHICLE APPLICATION MUST BE EXPRESSLY STATED IN THE SPECIFICATION BY SELLER.
 - Programmable Products:** Seller shall not be responsible for the Buyer's programming of a programmable Product.

IV. WARRANTY AND LIMITATION

- Warranty:** Seller's exclusive warranty is that the Products will be free from defects in materials and workmanship for a period of twelve months from the date of sale by Seller (or such other period expressed in writing by Seller). SELLER MAKES NO WARRANTY OR REPRESENTATION, EXPRESS OR IMPLIED, ABOUT ALL OTHER WARRANTIES, NON-INFRINGEMENT, MERCHANTABILITY OR FITNESS FOR A PARTICULAR PURPOSE OF THE PRODUCTS.
- Buyer Remedy:** Seller's sole obligation hereunder shall be to replace (in the form originally shipped with Buyer responsible for labor charges for removal or replacement thereof) the non-complying Product or, at Seller's election, to repay or credit Buyer an amount equal to the purchase price of the Product; provided that there shall be no liability for Seller or its affiliates unless Seller's analysis confirms that the Products were handled, stored, installed and maintained and not subject to contamination, abuse, misuse or inappropriate modification. Return of any Products by Buyer must be approved in writing by Seller before shipment.
- Limitation on Liability:** SELLER AND ITS AFFILIATES SHALL NOT BE LIABLE FOR SPECIAL, INDIRECT, INCIDENTAL OR CONSEQUENTIAL DAMAGES, LOSS OF PROFITS OR PRODUCTION OR COMMERCIAL LOSS IN ANY WAY CONNECTED WITH THE PRODUCTS, WHETHER SUCH CLAIM IS BASED IN CONTRACT, WARRANTY, NEGLIGENCE OR STRICT LIABILITY. FURTHER, IN NO EVENT SHALL LIABILITY OF SELLER OR ITS AFFILIATES EXCEED THE INDIVIDUAL PRICE OF THE PRODUCT ON WHICH LIABILITY IS ASSERTED.
- Indemnities:** Buyer shall indemnify and hold harmless Seller, its affiliates and its employees from and against all liabilities, losses, claims, costs and expenses (including attorney's fees and expenses) related to any claim, investigation, litigation or proceeding (whether or not Seller is a party) which arises or is alleged to arise from Buyer's acts or omissions under these Terms or in any way with respect to the Products.

V. INFORMATION; ETC.

- Intellectual Property:** The intellectual property embodied in the Products is the exclusive property of Seller and its affiliates and Buyer shall not attempt to duplicate it in any way without the written permission of Seller. Buyer (at its own expense) shall indemnify and hold harmless Seller and defend or settle any action brought against Seller to the extent that it is based on a claim that any Product made to Buyer specifications infringed intellectual property rights of another party.
- Property/Confidentiality:** Notwithstanding any charges to Buyer for engineering or tooling, all engineering and tooling shall remain the exclusive property of Seller. All information and materials supplied by Seller to Buyer relating to the Products are confidential and proprietary, and Buyer shall limit distribution thereof to its trusted employees and strictly prevent disclosure to any third party.
- Performance Data:** Performance data is provided as a guide in determining suitability and does not constitute a warranty. It may represent the result of Seller's test conditions, and the users must correlate it to actual application requirements.
- Change In Specifications:** Product specifications and description may be changed at any time based on improvements or other reasons. It is Seller's practice to change part numbers when published ratings or features are changed, or when significant engineering changes are made. However, some specifications of the Product may be changed without any notice.
- Errors And Omissions:** The information on Seller's website or in other documentation has been carefully checked and is believed to be accurate; however, no responsibility is assumed for clerical, typographical or proofreading errors or omissions.
- Export Controls:** Buyer shall comply with all applicable laws, regulations and licenses regarding (a) export of the Products or information provided by Seller; (b) sale of Products to forbidden or other proscribed persons or organizations; (c) disclosure to non-citizens of regulated technology or information.

VI. MISCELLANEOUS

- Waiver:** No failure or delay by Seller in exercising any right and no course of dealing between Buyer and Seller shall operate as a waiver of rights by Seller.
- Assignment:** Buyer may not assign its rights hereunder without Seller's written consent.
- Law:** These Terms are governed by Illinois law (without regard to conflict of laws). Federal and state courts in Illinois have exclusive jurisdiction for any dispute hereunder.
- Amendment:** These Terms constitute the entire agreement between Buyer and Seller relating to the Products, and no provision may be changed or waived unless in writing signed by the parties.
- Severability:** If any provision hereof is rendered ineffective or invalid, such provision shall not invalidate any other provision.

Certain Precautions on Specifications and Use

1. **Suitability for Use.** Seller shall not be responsible for conformity with any standards, codes or regulations which apply to the combination of the Product in Buyer's application or use of the Product. At Buyer's request, Seller will provide applicable third party certification documents identifying ratings and limitations of use which apply to the Product. This information by itself is not sufficient for a complete determination of the suitability of the Product in combination with the end product, machine, system, or other application or use. Buyer shall be solely responsible for determining appropriateness of the particular Product with respect to Buyer's application, product or system. Buyer shall take application responsibility in all cases but the following is a non-exhaustive list of applications for which particular attention must be given:
 - (i) Outdoor use, uses involving potential chemical contamination or electrical interference, or conditions or uses not described in this document.
 - (ii) Energy control systems, combustion systems, railroad systems, aviation systems, medical equipment, amusement machines, vehicles, safety equipment, and installations subject to separate industry or government regulations.
 - (iii) Use in consumer products or any use in significant quantities.
 - (iv) Systems, machines and equipment that could present a risk to life or property. Please know and observe all prohibitions of use applicable to this product.
2. **Programmable Products.** Seller shall not be responsible for the user's programming of a programmable product, or any consequence thereof.
3. **Performance Data.** Performance data given in this publication is provided as a guide for the user in determining suitability and does not constitute a warranty. It may represent the result of Seller's test conditions, and the users must correlate it to actual application requirements. Actual performance is subject to Seller's Warranty and Limitations of Liability.
4. **Change in Specifications.** Product specifications and accessories may be changed at any time based on improvements and other reasons. It is our practice to change part numbers when published ratings or features are changed, or when significant construction changes are made. However, some specifications of the Product may be changed without any notice. When in doubt, special part numbers may be assigned to fix or establish key specifications for your application. Please consult with your Seller representative at any time to confirm actual specifications of purchased Product.
5. **Errors and Omissions.** The information in this publication has been carefully checked and is believed to be accurate; however, no responsibility is assumed for clerical, typographical or proofreading errors, or omissions.
6. **RoHS Compliance.** Where indicated, our products currently comply, to the best of our knowledge as of the date of this publication, with the requirements of the European Union's Directive on the Restriction of certain Hazardous Substances ("RoHS"), although the requirements of RoHS do not take effect until July 2006. These requirements may be subject to change. Please consult our website for current information.

NEVER USE THE PRODUCT FOR AN APPLICATION INVOLVING SERIOUS RISK TO LIFE OR PROPERTY WITHOUT ENSURING THAT THE SYSTEM AS A WHOLE HAS BEEN DESIGNED TO ADDRESS THE RISKS, AND THAT THE OMRON PRODUCT IS PROPERLY RATED AND INSTALLED FOR THE INTENDED USE WITHIN THE OVERALL EQUIPMENT OR SYSTEM.

Complete "Terms and Conditions of Sale" for product purchase and use are on Omron's website at <http://www.components.omron.com> – under the "About Us" tab, in the Legal Matters section.

ALL DIMENSIONS SHOWN ARE IN MILLIMETERS.

To convert millimeters into inches, multiply by 0.03937. To convert grams into ounces, multiply by 0.03527.

OMRON[®]

**OMRON ELECTRONIC
COMPONENTS LLC**

55 E. Commerce Drive, Suite B
Schaumburg, IL 60173

847-882-2288

OMRON ON-LINE

Global - <http://www.omron.com>

USA - <http://www.components.omron.com>

Cat. No. J01C-E-01

01/07

Specifications subject to change without notice

Printed in USA