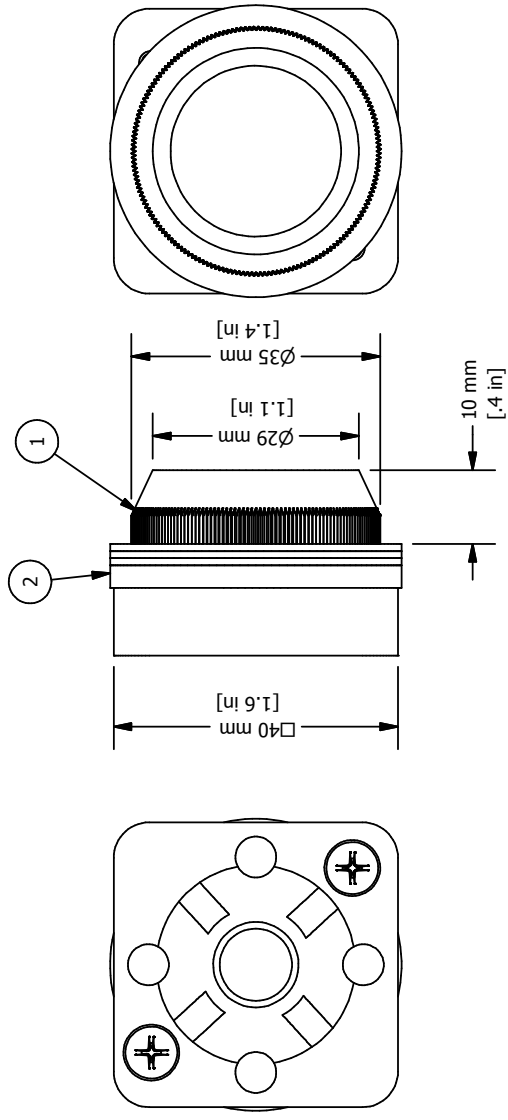
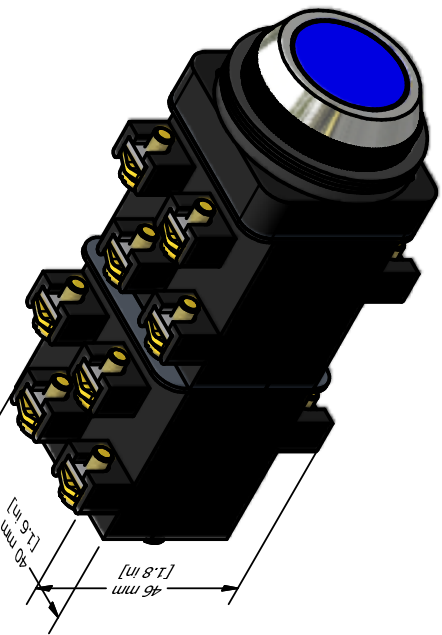


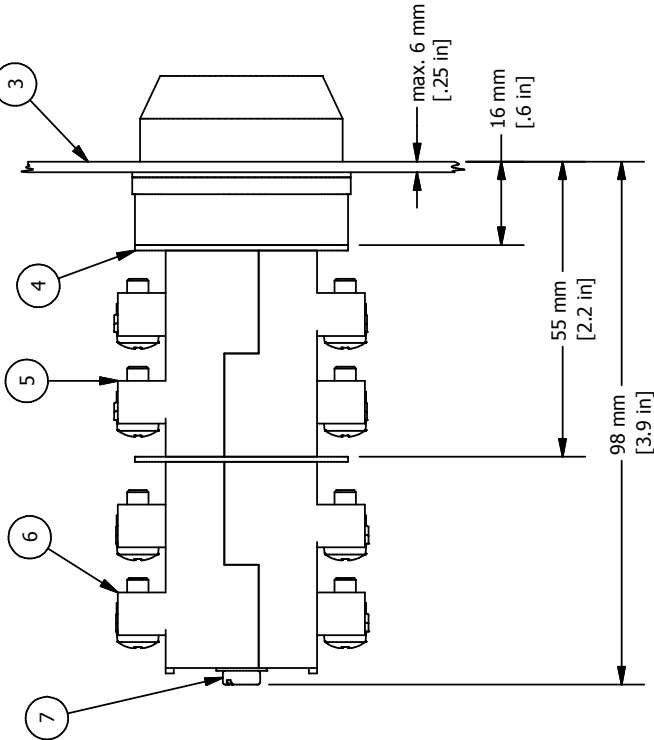
REVISION FOR DWG # 1PB-AFx

REV	CH.NO.	DESCRIPTION	DATE	REVISED BY
-	-	ORIGINAL DESIGN	11/19/2007	PHILIPP E.



* = Operator includes 3x ARW1.2 and 1x ARW3.2
 ** = Switch Contacts include Contact element washer and two SC24 installation screws, if more than two contact blocks are used, additional screws must be purchased separately (SC45, SC65 or SC90)

ITEM DESCRIPTION	CAT. NO.	COLOR	MIN. QTY.	MAX. QTY.
	AF1	White	1	1
	AF2	Black	1	1
	AF3	Green	1	1
1* 30 mm Flush Non-Illuminated Momentary Metal Operator	AF4	Red	1	1
	AF6	Blue	1	1
	AF8	Yellow	1	1
2* Rubber washer	ARW1.2/ARW3.2	Black	1	4
3 Panel	-	-	-	-
4** Contact Element washer	-	Black	1	2
5** Switch Contacts	S11	Red	1	2
	S12	Yellow	1	2
6** Contact Block Installation Screws	SC25/SC45/SC65/SC90	-	2	2



AND IS A CONFIDENTIAL DISCLOSURE WITHOUT CONSIDERATION OTHER THAN THE BORROWER'S AGREEMENT THAT IT SHALL NOT BE REPRODUCED, COPIED, LENT OR DISPOSED OF DIRECTLY OR INDIRECTLY NOR USED FOR ANY PURPOSE OTHER THAN THAT FOR WHICH IT IS SPECIFICALLY FURNISHED.

This Drawing is the property of **Altech Corp.**
 35 Royal Road
 Foxborough, MA 08822-6000
 (908) 806-9400
 Fax (908) 806-9490

UNLESS OTHERWISE SPECIFIED: • ALL DIMENSIONS ARE IN MILLIMETERS • THIRD ANGLE PROJECTION	TOLERANCE XX = ±1 mm XX.X = ±0.5 mm XX.XX = ±0.2 mm ALL = - mm
--	--

TITEL 30 mm Non-Illuminated Flush Momentary Metal Operator AFx (X=Color)	
DRAWN BY: Philipp Ernstsberger	DRAWING NO.: 1PB-AFx
CHECKED BY: Laszlo Gyorgyal	REV.: -
RELEASED BY: Laszlo Gyorgyal	SCALE: -
11/19/2007	SHEET: 1
11/19/2007	OF: 1

This datasheet has been downloaded from:

www.EEworld.com.cn

Free Download

Daily Updated Database

100% Free Datasheet Search Site

100% Free IC Replacement Search Site

Convenient Electronic Dictionary

Fast Search System

www.EEworld.com.cn

All Datasheets Cannot Be Modified Without Permission

Copyright © Each Manufacturing Company