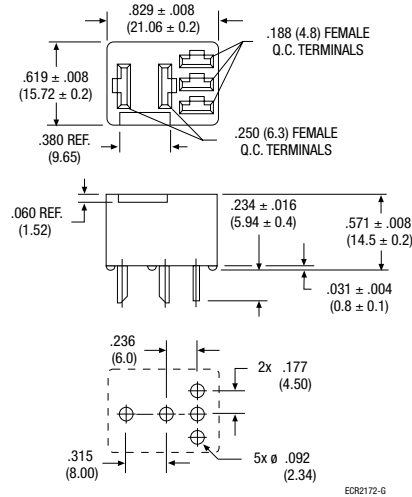


Connectors for Micro ISO Relays

PCB Socket

VCFM-1000

(Mounting Recommendation: To keep insertion force away from the PCB the soldering of the socket to the PCB should be done with already inserted relay)

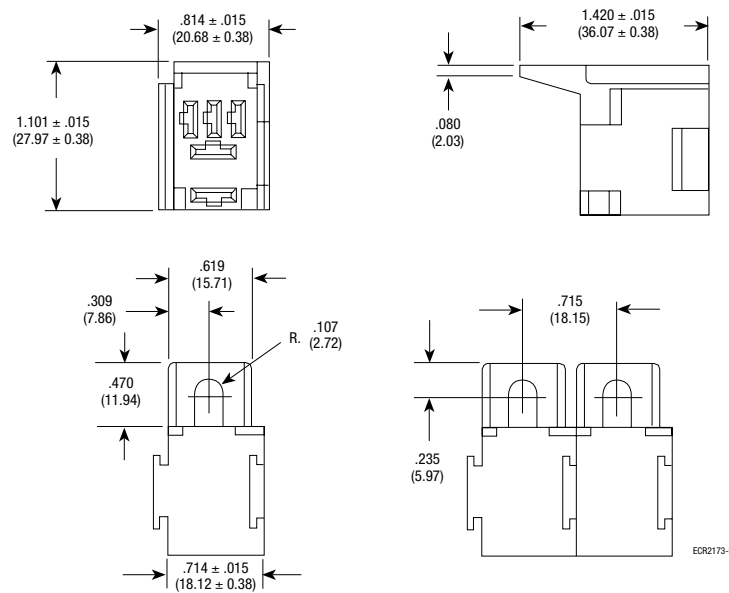


Connector with Mounting Flap

(To be mounted individually or can be interlocked)

VCFM-1002

(Crimp terminals to be ordered separately)



Ordering Information

Part Numbers for Connectors and Crimp Terminals								
Connector Description	Tyco Electronics Part Number	Part Number	Tyco Electronics Part Number	Wire mm ²	Quantity Required		Use in Cavities	
		Crimp Terminals			Form A	Form C	Form A	Form C
VCFM-1000	1393310-2	-	-	-	-	-	-	-
VCFM-1002	3-1393310-8	AMP60249-1	60249-1	1.3 - 3.3	-	-	-	-
		AMP42281-1	42281-1	0.8 - 2.1	2	2	3 and 5	3 and 5
		26A1492A	2-1393310-5	0.5 - 1.6	2	3	1 and 2	1, 2 and 4
		26A1492B	2-1393310-6	1.3 - 2.1				