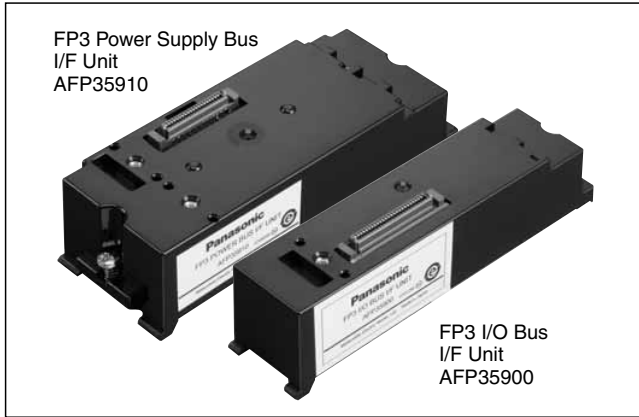


FP3 Power Supply Bus I/F Unit and FP3 I/O Bus I/F Unit

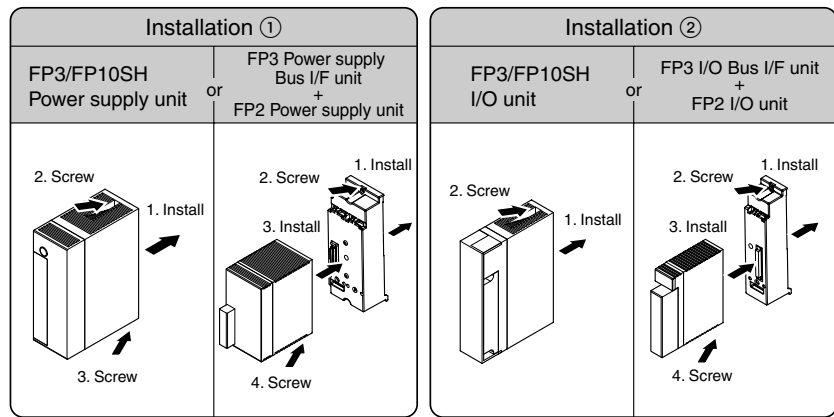
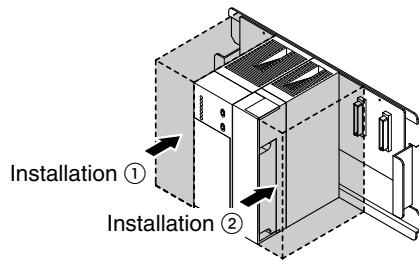


These interface units that allow the power supply unit and I/O unit of the FP2 Programmable Controller, which is the substitute for the discontinued FP3 and FP10SH, to be attached to the backplane of FP3/FP10SH.

Even if users of FP3/FP10SH systems do not have a spare power supply unit or I/O unit to be used in case of breakage, they can use an FP2 unit by attaching these interface unit and continue to use the existing systems.

Installation

- FP3/FP10SH system
- When the gray unit is broken, replace it with an FP2 unit.



Applicable FP3/FP10SH CPU units and Backplane

| Product name | Product number |
|-----------------|----------------------|
| FP3 CPU unit | AFP3210* |
| | AFP3211* |
| | AFP3212* |
| | AFP3220* |
| FP10SH CPU unit | AFP6211* AFP6221* |

| Product name | Product number |
|-------------------------|----------------|
| FP3 Master backplane | AFP3501 |
| | AFP3502 |
| | AFP3503 |
| FP3 Expansion backplane | AFP3503 |
| | AFP3504 |
| | AFP3506 |

Installable FP2 Units

(1) Applicable models for FP3 Power supply Bus I/F unit

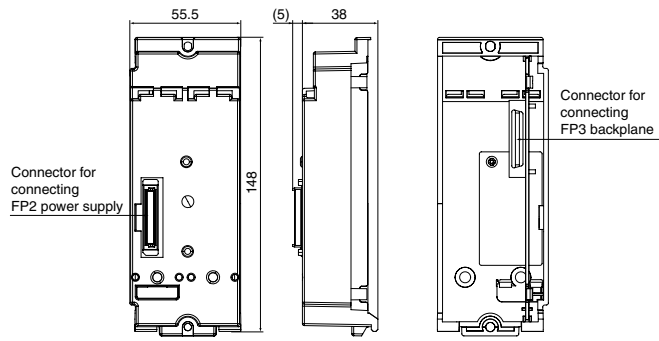
| Product name | Part number | Product number |
|-----------------------|-------------|----------------|
| FP2 Power supply unit | FP2-PSA1 | AFP2631 |
| | FP2-PSA2 | AFP2632 |
| | FP2-PSA3 | AFP2633 |
| | FP2-PSD2 | AFP2634 |

(2) Applicable models for FP3 I/O Bus I/F unit

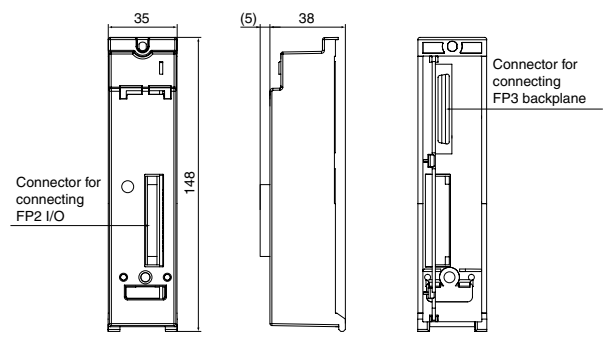
| Product name | Part number | Product number |
|-----------------|-------------|----------------|
| FP2 Input unit | FP2-X16D2 | AFP23023 |
| | FP2-X32D2 | AFP23064 |
| | FP2-X64D2 | AFP23067 |
| FP2 Output unit | FP2-Y6R | AFP23101 |
| | FP2-Y16R | AFP23103 |
| | FP2-Y16T | AFP23403 |
| | FP2-Y32T | AFP23404 |
| | FP2-Y64T | AFP23407 |
| | FP2-Y16P | AFP23503 |
| | FP2-Y32P | AFP23504 |
| | FP2-Y64P | AFP23507 |
| FP2 I/O unit | FP2-XY64D2T | AFP23467 |
| | FP2-XY64D7T | AFP23477 |
| | FP2-XY64D2P | AFP23567 |
| | FP2-XY64D7P | AFP23577 |

Dimensions (Unit: mm)

FP3 Power Supply Bus I/F Unit



FP3 I/O Bus I/F Unit



Product name and Product number

| Product name | Product number |
|-------------------------------|----------------|
| FP3 Power supply Bus I/F unit | AFP35910 |
| FP3 I/O Bus I/F unit | AFP35900 |