

PANEL INDICATOR LEDs - Ø6.35mm Mounting

FEATURES



318 SERIES Bi-colour & Tri-colour

PACK QUANTITY = 20 PIECES

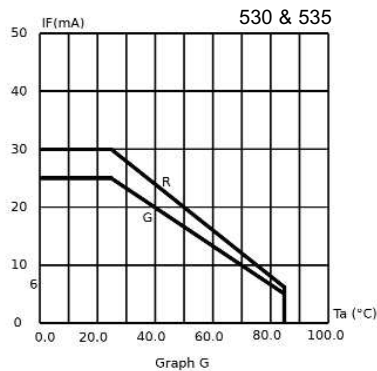
- Domed fresnel lens styling for wide viewing angle
- Flying lead terminations available
- Available as a Red/Amber/Green tri-colour indicator
- Sealed to IP40
- Supplied complete with mounting hardware
- Product illustrated 318-530-23

SPECIFICATIONS

Ordering Information & Typical Technical Characteristics (Ta = 25°C)

Mean Time Between Failure Typically = 100,000 Hours. Luminous intensity figures refer to the unmodified discrete LED.

PART NUMBER	COLOUR	LENS	VOLTAGE DC (Vdc) Vopr	CURRENT DC (mA) Iopr	LUMINOUS INTENSITY Iv@20mA (mcd)	WAVE LENGTH λp (nm)	OPERATING TEMP Topr	STORAGE TEMP Tstg	
BI-COLOUR STANDARD INTENSITY									
318-530-04	Red/Green	Water Clear	2.0/2.2	20	30/25	627/565	-40 ~ +85 [^]	-40 ~ +85	Yes
318-530-20	Red/Green	Water Clear	5/6	15/20	30/25	627/565	-40 ~ +85 [^]	-40 ~ +85	Yes
318-530-21	Red/Green	Water Clear	12	20	30/25	627/565	-40 ~ +85 [^]	-40 ~ +85	Yes
318-530-23	Red/Green	Water Clear	24-28	20	30/25	627/565	-40 ~ +85 [^]	-40 ~ +85	Yes
TRI-COLOUR STANDARD INTENSITY									
318-535-04-35	Red/Green	Water Clear	2.0/2.2	20	60/50	627/565	-40 ~ +85 [^]	-40 ~ +85	Yes
318-535-20-35	Red/Green	Water Clear	5/6	15/20	60/50	627/565	-40 ~ +85 [^]	-40 ~ +85	Yes
318-535-21-35	Red/Green	Water Clear	12	20	60/50	627/565	-40 ~ +85 [^]	-40 ~ +85	Yes
318-535-22-35	Red/Green	Water Clear	24-28	20	60/50	627/565	-40 ~ +85 [^]	-40 ~ +85	Yes
UNITS			Vdc	mA	mcd	nm	°C	°C	



[^] = Products must be derated according to the derating information. Each derating graph refers to specific LEDs. Appropriate LED numbers shown.

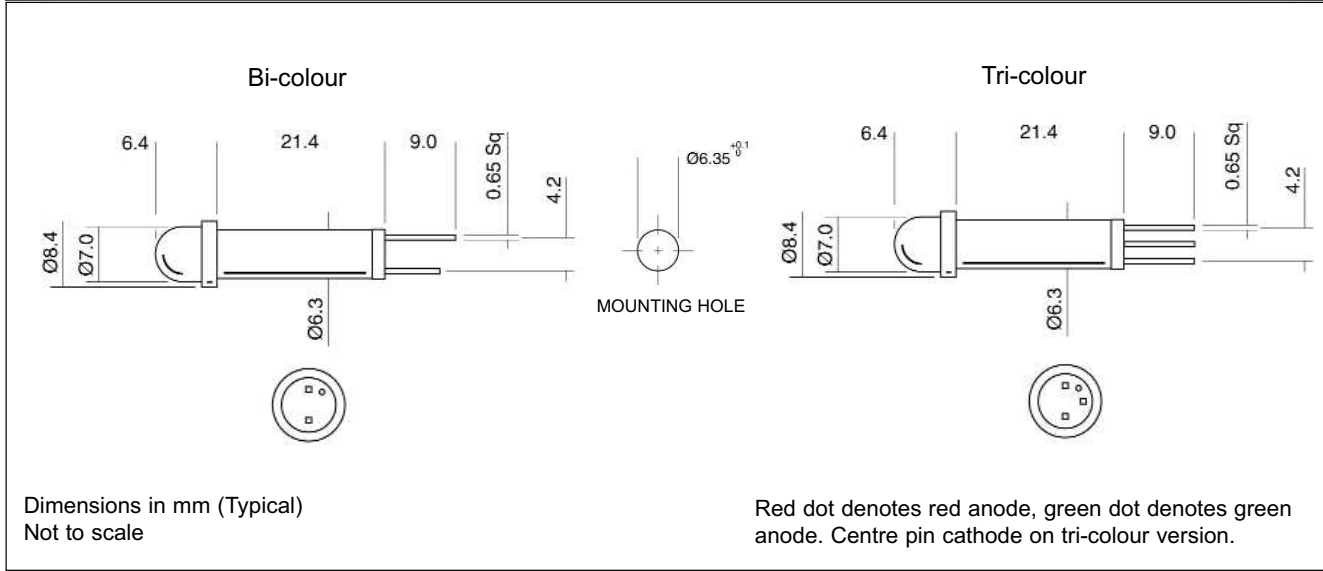
How to Order:

website: www.marl.co.uk • email: sales@marl.co.uk •

• Telephone +44 (0)1229 582430 • Fax: +44 (0)1229 585155

The information contained in this datasheet does not constitute part of any order or contract and should not be regarded as a representation relating to either products or service. Marl International reserve the right to alter without notice the specification or any conditions of supply for products or service.

318 Bi-colour and Tri-colour Series



MATERIALS		PUSH-ON CONNECTORS	
Body	Nylon 6	909-000-00 is gold plated 910-000-00 is tin plated for use with 318 series. Suitable for wire sizes from 0.15mm ² to 0.38mm ² cross sectional area. Dual metal contact design provides low resistance and gas tight electrical contact.	<p>Dimensions in mm (Typical) Not to scale</p>
Panel Washer	Neoprene		
Termination Pins	Tin on Nickel Plated Phosphor Bronze		
Retaining Clip	Spring steel		
Fresnel lens	Polycarbonate		
Header	PTFE		

TECHNICAL CHARACTERISTICS						
SERIES	MAXIMUM POWER DISSIPATION	MAXIMUM REVERSE VOLTAGE	PANEL CUTOUT	MINIMUM MOUNTING CENTRES	MIN/MAX. PANEL THICKNESS	
318	500	3	6.35	13.0	9.0	
UNITS	mW	Vdc	mm	mm	mm	

OPTIONAL FLYING LEAD TERMINATIONS						
ORDER CODE SUFFIX	SUPPLY VOLTAGE	WIRE COLOUR	WIRE LENGTH	NO/DIAMETER OF CONDUCTORS	DIAMETER OVER INSULATION	COMMENTS
13	DC Products	Red-anode / Black-cathode	150mm	7/0.2mm	1.2mm	Customised lengths available
13	AC Products	Brown-live / Blue-neutral	150mm			
17	DC Products	Red-anode / Black-cathode	1000mm			
17	AC Products	Brown-live / Blue-neutral	1000mm			

How to Order:

website: www.marl.co.uk • email: sales@marl.co.uk •
 • Telephone +44 (0)1229 582430 • Fax: +44 (0)1229 585155

The information contained in this datasheet does not constitute part of any order or contract and should not be regarded as a representation relating to either products or service. Marl International reserve the right to alter without notice the specification or any conditions of supply for products or service.



BS EN ISO 9001:2000
Approved Manufacturer

318 Series

Part numbers also available in the 318 Series:

PART NO.	COLOUR (Vdc) Vopr	VOLTAGE
318-502-20-03	Red	5/6Vdc
318-502-22-03	Red	24Vdc
318-503-21	Red	12Vdc
318-503-22	Red	24Vdc
318-503-22-03	Red	24Vdc
318-503-22-04	Red	24Vdc
318-506-22-03	Orange	24Vdc
318-509-22	Yellow	24Vdc
318-512-21-13	Green	12Vdc
318-512-22-03	Green	24Vdc
318-512-23	Green	24-28Vdc
318-513-23	Green	24-28Vdc
318-519-22	Blue	24Vdc
318-521-22	Yellow	24Vdc
318-530-04	Red/Green	20mA
318-530-20-50	Red/Green	5/6Vdc
318-530-22	Red/Green	24Vdc
318-530-22-50	Red/Green	24Vdc
318-535-04	Red/Green Tri	20mA
318-535-04-35	Red/Green Tri	20mA
318-535-20-35	Red/Green Tri	5/6Vdc
318-535-21	Red/Green Tri	12Vdc
318-535-21-35	Red/Green Tri	12Vdc
318-535-21-50	Red/Green Tri	12Vdc
318-535-22	Red/Green Tri	24Vdc
318-535-22-13	Red/Green Tri	24Vdc
318-535-22-17	Red/Green Tri	24Vdc
318-535-22-19	Red/Green Tri	24Vdc
318-535-22-35	Red/Green Tri	24Vdc
318-535-22-54	Red/Green Tri	24Vdc
318-535-22-55	Red/Green Tri	24Vdc
318-535-24-35	Red/Green Tri	48Vdc
318-535-71	Red/Green Tri	12Vac
318-536-21	Red/Yellow Tri	12Vdc
318-538-22	Red/Green Tri	24Vdc
UNITS		

The products listed above illustrate all of the options available to order. These products may have custom modifications that alter their operation beyond the generic information contained within this datasheet. Please contact sales for further information.

How to Order:

website: www.marl.co.uk • email: sales@marl.co.uk •

• Telephone +44 (0)1229 582430 • Fax: +44 (0)1229 585155

The information contained in this datasheet does not constitute part of any order or contract and should not be regarded as a representation relating to either products or service. Marl International reserve the right to alter without notice the specification or any conditions of supply for products or service.



BS EN ISO 9001:2000
Approved Manufacturer