

# XF2J

ZIF Slide-locking Connector (0.5-mm Pitch)

## Top-entry ZIF Connector.

- Low on-board profile of only 4.15 mm.
- Correspond for auto-mounting, secured the pick-and-place on top of the connector.
- Models with reverse terminal arrangement also available.
- Applicable FPC thickness of 0.3 mm.



### RoHS Compliant

### ■ Ratings and Specifications

Rated current	0.5A AC/DC
Rated voltage	50V AC/DC
Contact resistance	30mΩ max. (at 20 mV DC max., 100 mA max.)
Insulation resistance	100MΩ min. (at 250V DC)
Withstand voltage	250V AC for 1 min. (leakage current: 1 mA max.)
Insertion tolerance	30 times
Ambient operating temperature	-30 to 85°C (with no icing or condensation)

### ■ Materials and Finish

Housing	PA46 resin (UL94V-0)/natural
Slider	PPS resin (UL94V-0)/black LCP resin (UL94V-0)/black
Contacts	Spring copper alloy/nickel substrate (2μm) Gold-plated contacts (0.15μm)
Hold-down	Spring copper alloy/fused-tin plating (2μm)

### ■ Dimensions

XF2J-□□24-1□A

#### Applicable FPC Dimensions Standard Terminal Arrangement Reverse Terminal Arrangement

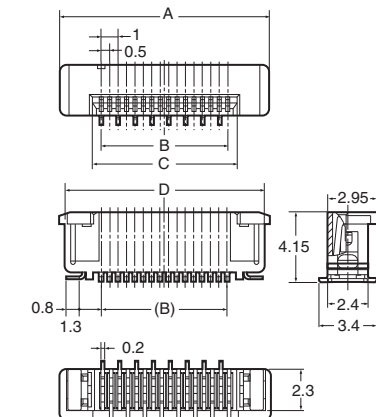
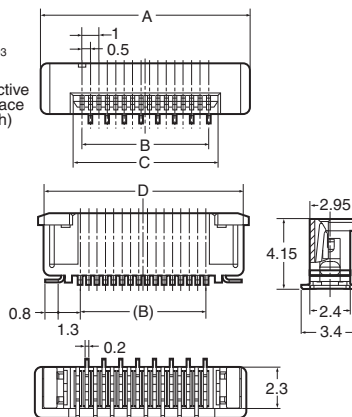
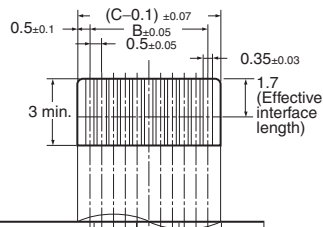
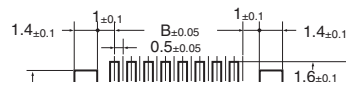


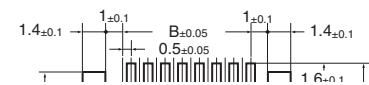
Table of Dimensions

Pins (See *1.)	Model		A	B	C	D	T=0.3±0.05 (Conductive Plating)
	Standard Terminal Arrangement	Reverse Terminal Arrangement					
6	XF2J-0624-11A	XF2J-0624-12A	7.5	2.5	3.6	6.9	
8	XF2J-0824-11A	XF2J-0824-12A	8.5	3.5	4.6	7.9	
10	XF2J-1024-11A	XF2J-1024-12A	9.5	4.5	5.6	8.9	
12	XF2J-1224-11A	XF2J-1224-12A	10.5	5.5	6.6	9.9	
14	XF2J-1424-11A	—	11.5	6.5	7.6	10.9	
16	XF2J-1624-11A	XF2J-1624-12A	12.5	7.5	8.6	11.9	
18	XF2J-1824-11A	XF2J-1824-12A	13.5	8.5	9.6	12.9	
20	XF2J-2024-11A	XF2J-2024-12A	14.5	9.5	10.6	13.9	
22	XF2J-2224-11A	XF2J-2224-12A	15.5	10.5	11.6	14.9	
24	XF2J-2424-11A	XF2J-2424-12A	16.5	11.5	12.6	15.9	
26	XF2J-2624-11A	—	17.5	12.5	13.6	16.9	
28	XF2J-2824-11A	—	18.5	13.5	14.6	17.9	
30	XF2J-3024-11A	—	19.5	14.5	15.6	18.9	
40	—	XF2J-4024-12A	25.1	19.5	20.6	24.3	

PCB Mating Dimensions (Top View)



PCB Mating Dimensions (Top View)



### ■ Ordering Information (Please consult your trading company for the delivery date.)

Pins (See *1.)	Model		Pins (See *1.)	Model		Quantity per reel (unit) (See *2.)
	Standard Terminal Arrangement	Reverse Terminal Arrangement		Standard Terminal Arrangement	Reverse Terminal Arrangement	
6	XF2J-0624-11A	XF2J-0624-12A	20	XF2J-2024-11A	XF2J-2024-12A	1,000
8	XF2J-0824-11A	XF2J-0824-12A	22	XF2J-2224-11A	XF2J-2224-12A	
10	XF2J-1024-11A	XF2J-1024-12A	24	XF2J-2424-11A	XF2J-2424-12A	
12	XF2J-1224-11A	XF2J-1224-12A	26	XF2J-2624-11A	—	
14	XF2J-1424-11A	—	28	XF2J-2824-11A	—	
16	XF2J-1624-11A	XF2J-1624-12A	30	XF2J-3024-11A	—	
18	XF2J-1824-11A	XF2J-1824-12A	40	—	XF2J-4024-12A	

\*1. Please consult your OMRON representative for available pin count.

\*2. Please order by integer multiple of the quantity per reel.