

# K150D004HP

cam switch - 4-pole - 90° - 150 A - screw mounting



## Main

Range of product	Harmony K
Product or component type	Complete cam switch
Component name	K150
[I <sub>th</sub> ] conventional free air thermal current	150 A
Product mounting	Front mounting
Fixing mode	4 holes
Cam switch head type	With front plate 88 x 88 mm
Type of operator	Black handle
Rotary handle padlocking	Without
Presentation of legend	With metallic legend, OFF-ON black marking
Cam switch function	Switch
Return	Without
Off position	With Off position
Poles description	4P
Switching positions	Right: 0° - 90°
IP degree of protection	IP40 conforming to IEC 529 IP40 conforming to NF C 20-010

## Complementary

Switching angle	90 °
[U <sub>i</sub> ] rated insulation voltage	690 V degree of pollution 3 conforming to EN 60947-1 690 V degree of pollution 3 conforming to IEC 60947-1
Short-circuit current	25000 A
Short circuit protection	200 A by cartridge fuse, type gG
[U <sub>imp</sub> ] rated impulse withstand voltage	6 kV conforming to EN 947-1 6 kV conforming to IEC 947-1
Contacts operation	Slow-break
Positive opening	With
Electrical connection	Captive screw clamp terminals flexible, 2 x 50 mm <sup>2</sup> Captive screw clamp terminals solid, 2 x 70 mm <sup>2</sup>
Tightening torque	2.5 N.m
Switching capacity in mA	150000 mA DC at 140 V 3 contact(s) for resistive load (T = 1 ms) 150000 mA DC at 24 V 1 contact(s) for inductive load (T = 50 ms) 150000 mA DC at 24 V 1 contact(s) for resistive load (T = 1 ms) 150000 mA DC at 48 V 1 contact(s) for resistive load (T = 1 ms) 150000 mA DC at 48 V 2 contact(s) for inductive load (T = 50 ms) 150000 mA DC at 48 V 2 contact(s) for resistive load (T = 1 ms) 150000 mA DC at 70 V 3 contact(s) for inductive load (T = 50 ms) 150000 mA DC at 70 V 3 contact(s) for resistive load (T = 1 ms) 150000 mA DC at 95 V 2 contact(s) for resistive load (T = 1 ms) 50000 mA DC at 30 V 1 contact(s) for inductive load (T = 50 ms) 50000 mA DC at 60 V 2 contact(s) for inductive load (T = 50 ms) 50000 mA DC at 90 V 3 contact(s) for inductive load (T = 50 ms)
Mechanical durability	300000 cycles
CAD overall width	88 mm
CAD overall height	88 mm
CAD overall depth	140 mm
Product weight	0.88 kg

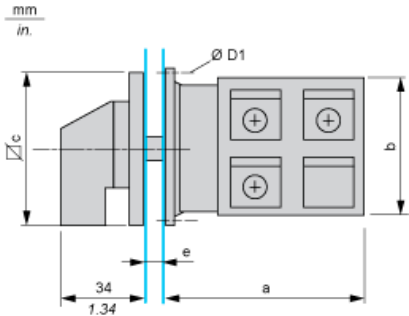
The information provided in this documentation contains general descriptions and/or technical characteristics of the performance of the products contained herein. This documentation is not intended as a substitute for and is not to be used for determining suitability or reliability of these products for specific user applications. It is the duty of any such user or integrator to perform the appropriate and complete risk analysis, evaluation and testing of the products with respect to the relevant specific application or use thereof. Neither Schneider Electric Industries SAS nor any of its affiliates or subsidiaries shall be responsible or liable for misuse of the information contained herein.

## Environment

Standards	EN/IEC 60947-3
Product certifications	CULus 240 V 15 hp 1 phase CULus 240 V 25 hp 3 phases CULus 480 V 40 hp 3 phases CULus 120 V 7.5 hp 1 phase
Protective treatment	TC
Ambient air temperature for operation	-25...55 °C
Ambient air temperature for storage	-40...70 °C
Class of protection against electric shock	Class II conforming to IEC 60536 Class II conforming to NF C 20-030
RoHS EUR status	Compliant
RoHS EUR conformity date	0627

Dimensions

Rear Mounting

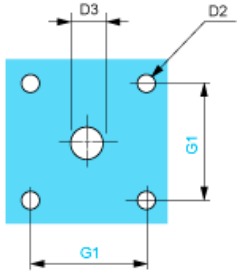


e support panel thickness 0.5 to 5.5 mm / 0.02 to 0.22 in in.

a	b	c	D1				
mm	in.	mm	in.	mm	in.	mm	in.
100	3.94	88	3.46	88	3.46	5.4	0.21

Panel Cut-Out

Front Mounting

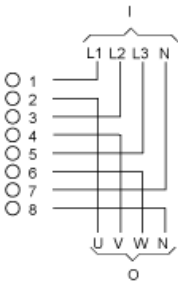


D2	D3	G1			
mm	in.	mm	in.	mm	in.
6	0.24	13	0.51	68	2.68

Link Positions (Factory Mounted)

Diagram for 3 to 4-pole Switches

Select the number of poles according to the product characteristics



- I Input
- O Output

Marking



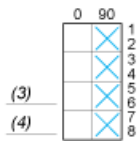
Angular Position of Switch



Switching Program

Diagram for 3 to 4-pole Switches


Select the number of poles according to the product characteristics



- (3) 3-pole
- (4) 4-pole

Convention Used for Switching Program Representation

- Contact closed
- Contact closed in 2 positions and maintained between the 2 positions
- Sealed assembly for auto-maintain control
- Overlapping contacts

 Spring return position: for a switching angle of 90°, spring return is over 30° after the last position (for a maximum of 3 simultaneous contacts).

Example:

