



Main

Range of product	Modicon Premium Automation platform
Product or component type	Discrete output module
Discrete output number	16
Discrete output type	Triac protected
Discrete output voltage	48...240 V AC conforming to EN/IEC 61131-2 41...264 V

Complementary

Current per channel	≤ 1 A
Current per module	≤ 12 A
Response time	< 10 ms deactivation < 10 ms activation
Output overvoltage protection	Ge-Mov
Output overload protection	5 A, integrated fuse fast blow
Short-circuit protection	5 A, integrated fuse fast blow
Isolation resistance	> 10 MOhm 500 V
Power dissipation	(0.85 W + 1 W x No of outputs x current per module)
Marking	CE
Electrical connection	Screw terminal block
Current consumption	220 mA 5 V DC
Module format	Standard
Product weight	0.31 kg

Environment

Dielectric strength	2000 V 50/60 Hz 60 s
Standards	73/23/EEC 89/336/EEC 92/31/EEC 93/68/EEC CSA 22-2 No 142 CSA 22-2 No 213 Class I Division 2 Group A CSA 22-2 No 213 Class I Division 2 Group B CSA 22-2 No 213 Class I Division 2 Group C CSA 22-2 No 213 Class I Division 2 Group D IEC 61131-2 UL 508
Product certifications	ABS BV DNV GL LR RINA RMRS
Ambient air temperature for operation	0...60 °C
Ambient air temperature for storage	-25...70 °C
Relative humidity	5...95 % without condensation for storage 10...95 % without condensation for operation
Operating altitude	0...2000 m

The information provided in this documentation contains general descriptions and/or technical characteristics of the performance of the products contained herein. This documentation is not intended as a substitute for and is not to be used for determining suitability or reliability of these products for specific user applications. It is the duty of any such user or integrator to perform the appropriate and complete risk analysis, evaluation and testing of the products with respect to the relevant specific application or use thereof. Neither Schneider Electric Industries SAS nor any of its affiliates or subsidiaries shall be responsible or liable for misuse of the information contained herein.

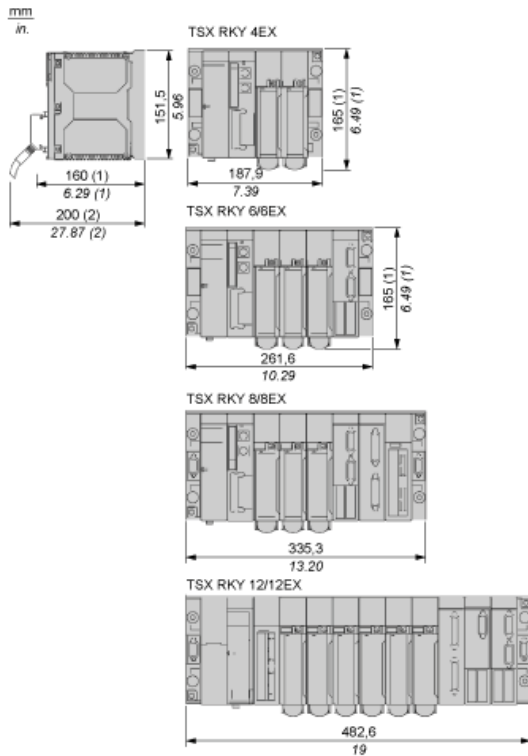
Protective treatment	TC
IP degree of protection	IP20
Pollution degree	2

RoHS compliance

RoHS EUR status	Compliant
RoHS EUR conformity date(YWW)	0927

Standard and Extendable Racks for Modules Mounting

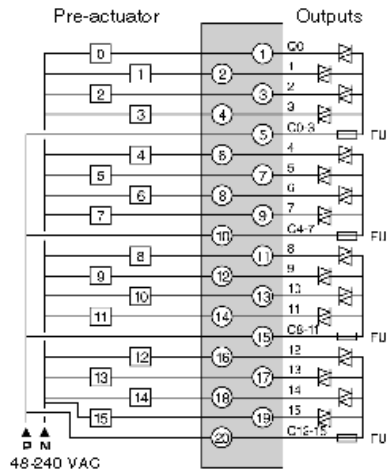
Dimensions of Modules and Racks



- (1) With screw terminal block modules.
- (2) Maximum depth for all types of modules and their associated connectors.

Discrete Bidirectional Triode Thyristor Output 16-Channel Module

Wiring Diagram



FU Ultra-quick blow interchangeable 5 A fuse