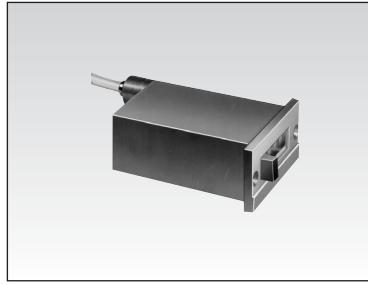


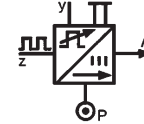
# Pneumatic impulse counters



## Part numbers

Totalizer	<b>99 766 002</b>	—
Preselection counter	—	<b>89 538 201</b>
Version	4 digits with manual zero reset	5 digits with manual or pneumatic zero reset

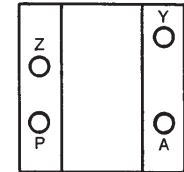
## Symbol



## Characteristics

Supply pressure	PSI (bar)	30 > 120 (2 > 8)	30 > 120 (2 > 8)
Dis-engagement pressure	PSI (bar)	< 2 (< 0.15)	< 2 (< 0.15)
Engagement pressure	PSI (bar)	> 12 (> 0.8)	> 12 (> 0.8)
Reset: Minimum pressure	PSI (bar)	30 (2)	30 (2)
Reset time	ms	150	150
Preselector output valve			•
Circuit pressure	PSI (bar)		30 > 120 (2 > 8)
Signal emitted when the preselector is reached			•
Operating temperature	°F (°C)	+32 > +140 (0 > +60)	+32 > +140 (0 > +60)
Weight	grams	48	136

## Connection



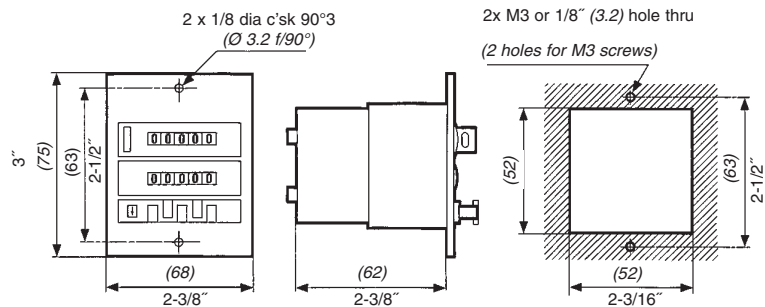
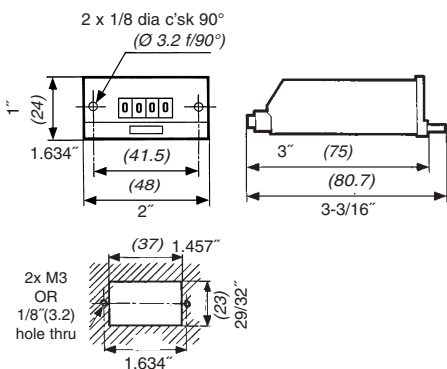
A - Output signal  
P - Supply  
Y - Reset to zero signal  
Z - Input signal

**Note:** the count pulse must be removed before the reset pulse is applied. The preselected value can be changed during operation without the counter resetting to zero.

## Dimensions

99 763 001 - 99 763 002

89 538 201



Other information	To order, specify:
	Standard products
	<b>1</b> Part number
	Example : Pneumatic impulse counter - 99 766 002
	Standard products, non stocked

Products and specifications subject to change without notice.

Order/Technical Support – Tel: (800) 677-5311 / FAX: (800) 677-3865 / www.crouzet-usa.com