

# Cable Pull Limit Switches Series 83 863 / 83 864

## Conforms to the following standards:

EN 50041 - IEC 947.5.1 - VDE 0660/2  
 UL 468 - UL 508 - CSA C22.2 No14  
 NFC class 1 - EN 418 - Machine Directive 89/392/CEE

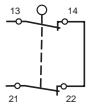
**Degree of Protection :** IP 66

**Function :** Four separate terminals with two separate NC switching elements with positive opening contacts. One set works in the cable break mode and the other works in the cable pull mode.

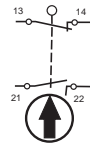
Both elements are electrically isolated from one another.

## Layout :

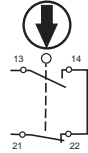
Cable attached with tension



Cable Pull Mode



Cable Break Mode



## Electrical characteristics :

Assigned insulation voltage (Ui) : 500V  
 Thermal rating (Ith) : 10 A  
 Use category : A300 - Q300  
 AC15 = 6A/250V - 1.9 A/380V  
 DC13 = 3A/24V

## Short circuit test (under IEC 947.5.1 sec. 8.3.4)

- Current peak 100 A at 250V  $0.5 < \cos \phi < 0.7$
- Short circuit protection (SCPD) : fuse 10 A gF
- Electrical protection by internal earth ground

## Connections :

Saddle washer and M3.5 screw  
 Max. wire cross section : 2 x 1.5 mm<sup>2</sup> or 1 x 2.5 mm<sup>2</sup>

## Connection :

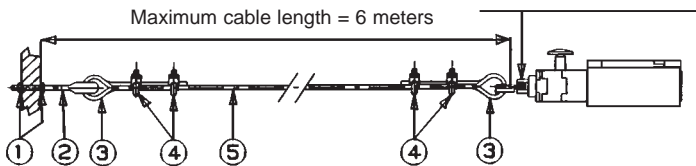
For No 13 or 1/2" NPT sealing gland

## Approvals :

Pending

## Typical Mounting:

The cable is to be tightened until the head is extended with the slot below the E-ring visible. This sets the switch.



1. Lock Nut
2. Eyelet Bolt
3. Cable through eyelet bolt.
4. Cable clamps
5. Cable - red PVC (red is international color for safety)



## Part Numbers

Metric No 13	83863001
1/2" NPT	83864001

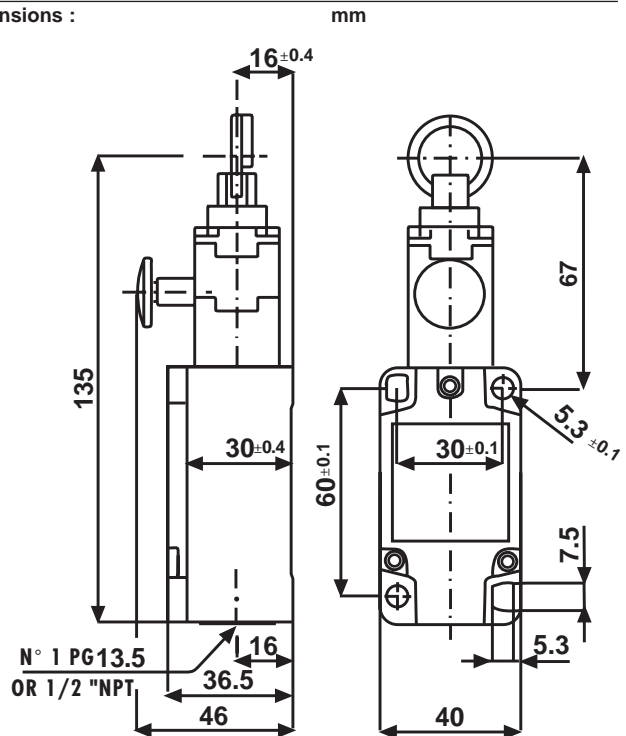
## Mechanical Characteristics:

Minimum Operating Force	cmN	85
Minimum Operating Distance	mm	4
Movement Differential	mm	2
Maximum Total Travel	mm	8
Mechanical Life	operations	3x10 <sup>7</sup>
Operating Temperature	C°	-25 to +70
Storage Temperature	C°	-40 to +70

## Mounting Characteristics :

Maximum Length of Cable	meters	6
-------------------------	--------	---

## Dimensions :



Standard products available in-stock in normal quantities

Catalog products produced to order

Products and specifications subject to change without notice.

Order/Technical Support – Tel: (800) 677-5311 / FAX: (800) 677-3865 / www.crouzet-usa.com