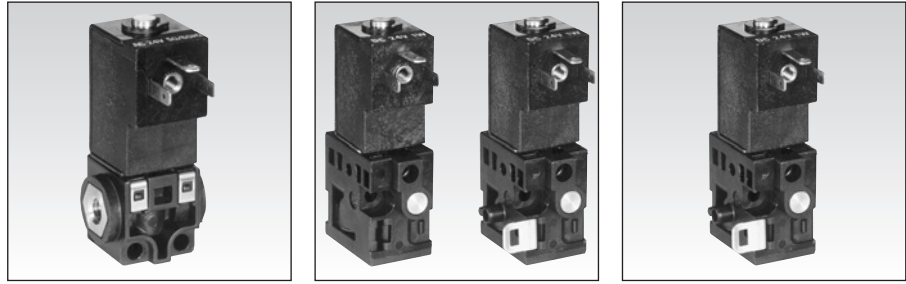


Standard 2/2 miniature solenoid valves for fluids and inert gases

- Variable orientation coil
- Low power consumption : 1 W
- Quick to fit together, no tools needed



Mounting Individual Bank end valves (1 pair) Intermediate valve

Part numbers

Orifice diameter (0.8 mm)	CV (KV) .2 (0.3)	Adjustment range psi (bar) 15>30 (1>8b)	Power 1W	NC 81 546 001	NC 81 547 001	NO 81 547 051	NC 81 547 501	NO 81 547 551
------------------------------	---------------------	---	-------------	------------------	------------------	------------------	------------------	------------------

1

Standard features

Voltage	24V ~
Electrical connections	2.8 x 0.5 blade terminals (W7D5) at 9.4 mm centres
Fluid connection	tapped holes M5
Manual override + pressure indicator	without

General characteristics

Response time	5 to 15 ms
Operating temperature	- 5 °C +50 °C
Viscosity range	up to 30 cst
Vibration resistance	up to 5 g
Air flow rate (at 2 bars)	15 to 40 NI/mn
Maximum switching rate	30 Hz
Weight	Individual mounting 32.5 g Bank end/inner valves 35 g
Body material	Glass-reinforced polyamide 6.6
Mechanical life (operations)	1.5 x 10 ⁷
UL and cUL approval	MH 15085

Accessories for 2/2 miniature solenoid valves

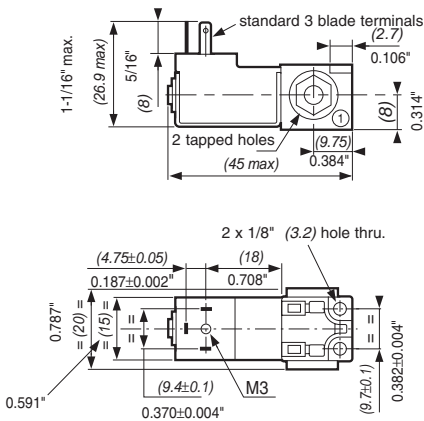
Connector for solenoid valve (see page 5/11)	81 516 082
Visual indicators (see page 5/11)	24 V-50/60 Hz CC 81 513 052 48 V-50/60 Hz AC 81 513 055 110 V-50/60 Hz AC 81 513 058 220 V-50/60 Hz AC 81 513 059
LED seal (see page 5/11)	12-24 V ~ ~ ~ 81 513 064

2

Dimensions

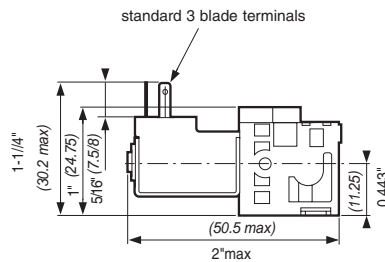
Individual

81 546 0



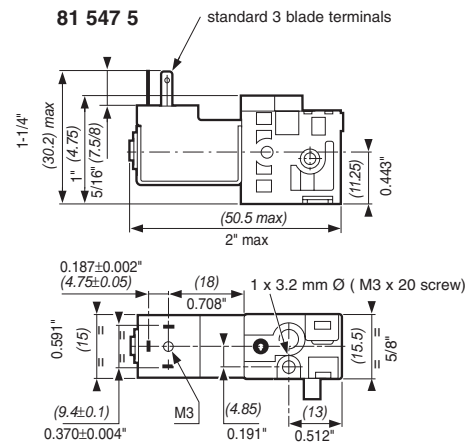
Bank end valves (1 pair)

81 547 0



Intermediate valve

81 547 5



Use (metric) dimensions for critical data

Other information	To order, specify :						
For options see page 7/4	<table border="0"> <tr> <td>Standard products</td> <td>1 Part number</td> <td>2 Accessory</td> </tr> <tr> <td>Standard products, non stocked</td> <td colspan="2">Example : Standard 2/2 miniature solenoid valve 81 546 001 - LED seal 81 513 064</td> </tr> </table>	Standard products	1 Part number	2 Accessory	Standard products, non stocked	Example : Standard 2/2 miniature solenoid valve 81 546 001 - LED seal 81 513 064	
Standard products	1 Part number	2 Accessory					
Standard products, non stocked	Example : Standard 2/2 miniature solenoid valve 81 546 001 - LED seal 81 513 064						

Products and specifications subject to change without notice.
Consult factory for application assistance.

204 Airline Drive, Suite 300, Coppell, Texas 75019 / Tel: (888) 778-2733 / FAX: (888) 329-9773 / www.crouzet-usa.com

