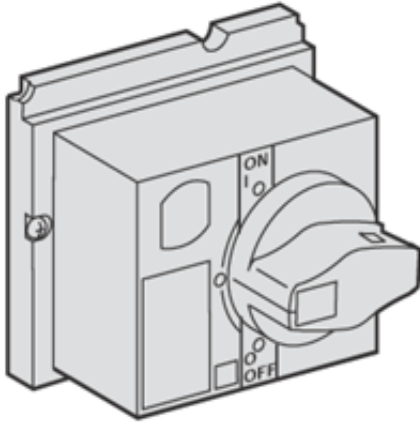


Product data sheet

Characteristics

32599

front rotary red handle - for NS400..630/
NS400..630DC/ NR400...630 / NSJ400...630



Main

Range of product	NR400...630 NS400...630 NS400...630 DC NSJ400...600
Device short name	Rotary handle
Accessory / separate part type	Rotary handle

Complementary

Handle colour	Red
Handle front plate colour	Yellow
Rotary handle padlocking	1 to 3 padlocks
Rotary handle mounting style	Direct

Environment

RoHS EUR conformity date	0844
RoHS EUR status	Compliant

The information provided in this documentation contains general descriptions and/or technical characteristics of the performance of the products contained herein. This documentation is not intended as a substitute for and is not to be used for determining suitability or reliability of these products for specific user applications. It is the duty of any such user or integrator to perform the appropriate and complete risk analysis, evaluation and testing of the products with respect to the relevant specific application or use thereof. Neither Schneider Electric Industries SAS nor any of its affiliates or subsidiaries shall be responsible or liable for misuse of the information contained herein.