



### Main

Range of product	Modicon Quantum automation platform
Product or component type	Latch/Interrupt module

### Complementary

Number of inputs	16
Discrete input type	Fast isolated
Absolute maximum input	30 V DC
Voltage state 0 guaranteed	-3...5 V
Voltage state 1 guaranteed	15...30 V
Current state 0 guaranteed	2...8 mA
Current state 1 guaranteed	0...0.5 mA
Response time	30 $\mu$ s On-Off 130 $\mu$ s Off-On
Reverse polarity protection	Internal in 30 V
Isolation between channels	500 V for 60 s AC
Isolation between channels and bus	1780 V for 60 s AC
Bus current requirement	400 mA
Power dissipation	2.0 W + (0.3 x number of points on)
Mounting support	Backplane for local architecture
Marking	CE
Module format	Standard

### Environment

Resistance to electrostatic discharge	8 kV on air conforming to IEC 801-2 4 kV contact conforming to IEC 801-2
Resistance to electromagnetic fields	10 V/m 80...2000 MHz conforming to IEC 801-3
Ambient air temperature for operation	0...60 °C
Ambient air temperature for storage	-40...85 °C
Relative humidity	95 % without condensation
Operating altitude	<= 5000 m
Standards	UL 508
Product certifications	CSA Class 1 Division 2 C-Tick DNV FM Class 1 Division 2 GOST UL

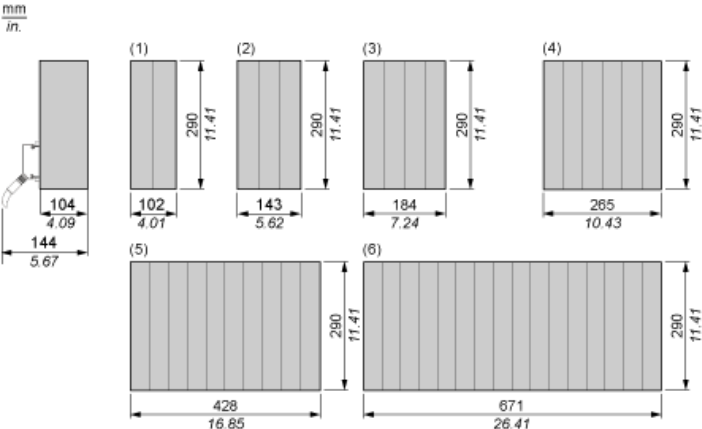
The information provided in this documentation contains general descriptions and/or technical characteristics of the performance of the products contained herein. This documentation is not intended as a substitute for and is not to be used for determining suitability or reliability of these products for specific user applications. It is the duty of any such user or integrator to perform the appropriate and complete risk analysis, evaluation and testing of the products with respect to the relevant specific application or use thereof. Neither Schneider Electric Industries SAS nor any of its affiliates or subsidiaries shall be responsible or liable for misuse of the information contained herein.

## Offer Sustainability

Sustainable offer status	Not Green Premium product
ROHS	Compliant - since 0901 - <a href="#">download declaration of conformity</a>
REACH	Reference not containing SVHC above the threshold
Product environmental profile	Available
Product end of life instruction	Need no specific recycling operations

Racks for Modules Mounting

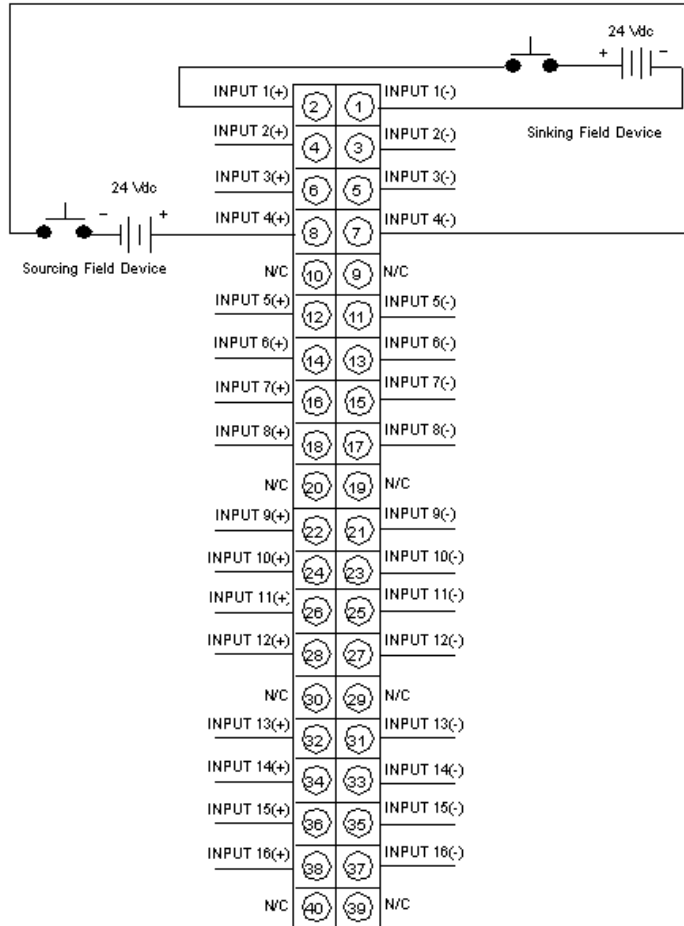
Dimensions of Modules and Racks



- (1) 2 slots
- (2) 3 slots
- (3) 4 slots
- (4) 6 slots
- (5) 10 slots
- (6) 16 slots

High Speed Latch and Interrupt Module

Wiring Diagram



N/C Not Connected