



Main

| | |
|---------------------------|-------------------------------------|
| Range of product | Modicon Quantum automation platform |
| Product or component type | AC discrete output modules |
| Discrete output number | 16 |

Complementary

| | |
|-------------------------|--|
| Group of channels | 4 groups of 4 channels |
| Supply frequency | 47...63 Hz |
| Voltage drop | 1.5 V |
| Discrete output voltage | 83...253 V AC |
| Addressing requirement | 1 output word |
| Absolute maximum output | 400 Vrms 1 cycle AC 300 Vrms for 10 s AC |
| Minimum load | 5 A |
| Minimum load current | 4 A rms per group 4 A rms 85...132 V per output 3 A rms 170...253 V per output 2.5 mA rms 230 Vrms off state leakage per output 2 mA rms 115 Vrms off state leakage per output 16 A rms per module 1 mA rms off state leakage per output |
| Surge current | <= 45 A during 1 cycle per group <= 30 A during 2 cycles per group <= 30 A during 1 cycle per point <= 25 A during 3 cycles per group <= 20 A during 2 cycles per point <= 10 A during 3 cycles per point |
| DV/Dt | 400 V/ms |
| Response time | <= 0.5 ms at state 1 to state 0 <= 0.5 ms at state 0 to state 1 |
| Fault indication | Blown fuse Loss of field power |
| Protection type | Internal by RC filter Internal output protection by 5 A fuse |
| Power dissipation | 1.85 + (1.1 V x total module load current) |
| Marking | CE |
| Local signalling | 16 LEDs green input status 1 LED red external fault detected (F) 1 LED green bus communication is present (Active) |
| Bus current requirement | 350 mA |
| Module format | Standard |
| Product weight | 0.45 kg |

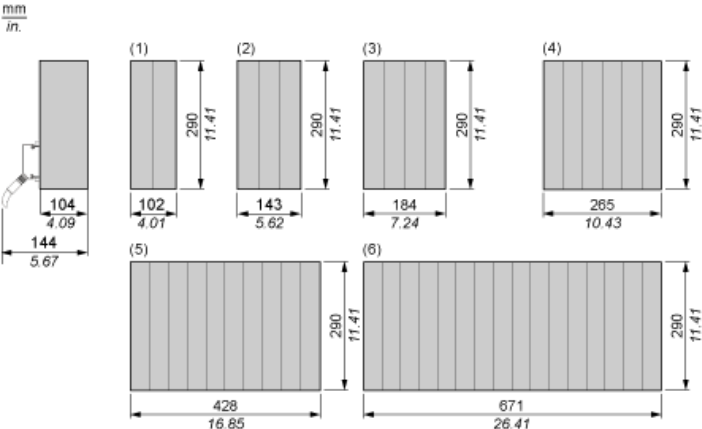
The information provided in this documentation contains general descriptions and/or technical characteristics of the performance of the products contained herein. This documentation is not intended as a substitute for and is not to be used for determining suitability or reliability of these products for specific user applications. It is the duty of any such user or integrator to perform the appropriate and complete risk analysis, evaluation and testing of the products with respect to the relevant specific application or use thereof. Neither Schneider Electric Industries SAS nor any of its affiliates or subsidiaries shall be responsible or liable for misuse of the information contained herein.

Environment

| | |
|---------------------------------------|---|
| Protective treatment | Conformal coating Humiseal 1A33 |
| Product certifications | CUL FM Class 1 Division 2 |
| Standards | CSA 22-2 No 142 UL 508 |
| Resistance to electrostatic discharge | 8 kV on air conforming to IEC 801-2 4 kV contact conforming to IEC 801-2 |
| Resistance to electromagnetic fields | 10 V/m 80...1000 MHz conforming to IEC 801-3 |
| Ambient air temperature for operation | 0...60 °C |
| Ambient air temperature for storage | -40...85 °C |
| Relative humidity | 95 % without condensation |
| Operating altitude | <= 5000 m |

Racks for Modules Mounting

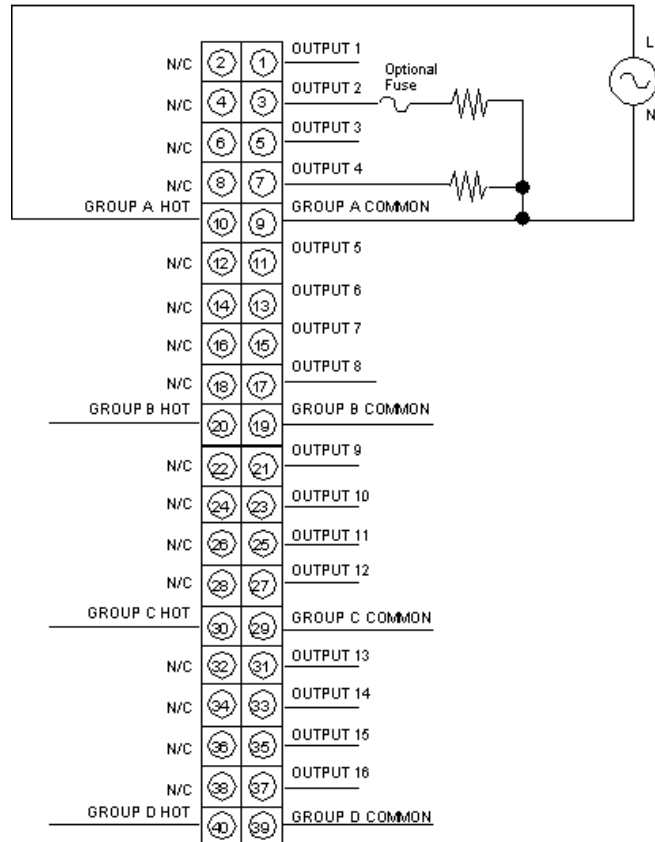
Dimensions of Modules and Racks



- (1) 2 slots
- (2) 3 slots
- (3) 4 slots
- (4) 6 slots
- (5) 10 slots
- (6) 16 slots

100...230 Vac Discrete Output Module

Wiring Diagram



N/C Not Connected