



Main

Range of product	Modicon Quantum automation platform
Product or component type	VAC discrete input modules
Software name	Concept ProWORX 32 Unity Pro
Discrete input number	32

Complementary

Group of channels	4
Addressing requirement	2 input words
Discrete input voltage	115 V AC
Input current	<= 13.2 mA 47...53 Hz <= 11.1 mA 57...63 Hz
Voltage state 1 guaranteed	85...132 V AC at 47...53 Hz 79...132 V AC at 57...63 Hz
Voltage state 0 guaranteed	0...20 V AC at 47...53 Hz 0...20 V AC at 57...63 Hz
Input impedance	14400 Ohm capacitive at 47...53 Hz 12000 Ohm capacitive at 57...63 Hz
Network frequency limits	47...63 Hz
Leakage current	<= 2.1 mA
Absolute maximum input	200 V 1 cycle 156 V 10 s 132 V continuous
Response time	7.3...12.3 ms On-Off 4.9...0.75 ms x line cycle Off-On
Isolation between group	1780 Vrms for 1 minute
Isolation between group and bus	1780 Vrms for 1 minute
Bus current requirement	250 mA
Power dissipation in W	<= 10.9 W
Local signalling	32 LEDs green input status 1 LED red external fault detected (F) 1 LED green bus communication is present (Active)
Marking	CE
Module format	Standard
Product weight	0.33 kg

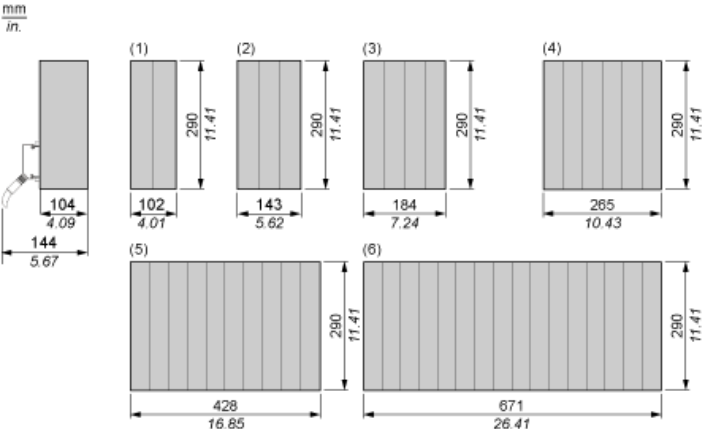
Environment

Protective treatment	Conformal coating Humiseal 1A33
Standards	CSA 22-2 No 142 UL 508
Product certifications	CUL FM Class 1 Division 2
Resistance to electrostatic discharge	8 kV on air conforming to IEC 801-2 4 kV contact conforming to IEC 801-2
Resistance to electromagnetic fields	10 V/m 80...2000 MHz conforming to IEC 801-3

Ambient air temperature for operation	0...60 °C
Ambient air temperature for storage	-40...85 °C
Relative humidity	95 % without condensation
Operating altitude	<= 5000 m

Racks for Modules Mounting

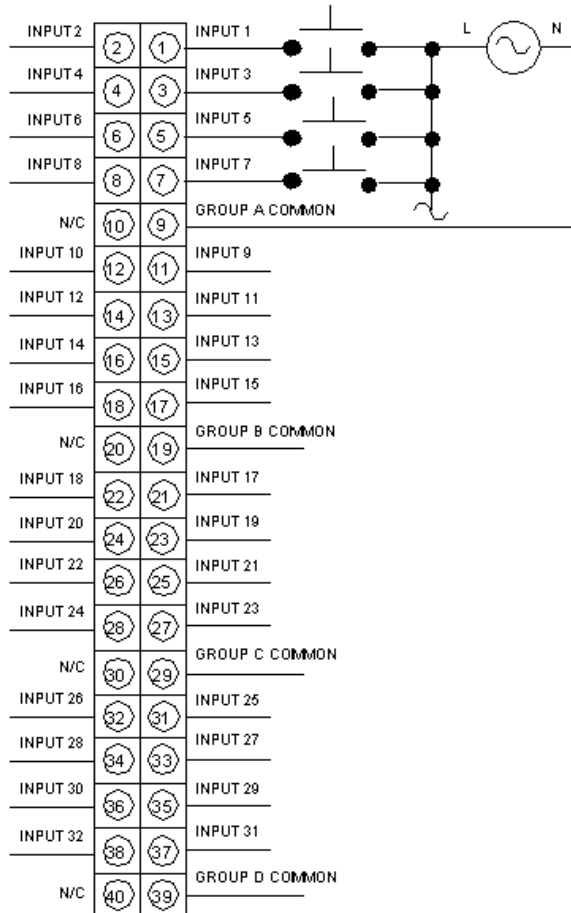
Dimensions of Modules and Racks



- (1) 2 slots
- (2) 3 slots
- (3) 4 slots
- (4) 6 slots
- (5) 10 slots
- (6) 16 slots

115 Vac Discrete Input Module

Wiring Diagram



N/C Not Connected

NOTE: All inputs in a group must be from the same phase of line input voltage.