



Main

Range of product	Modicon Quantum automation platform
Product or component type	VAC discrete input modules
Software name	Concept ProWORX 32 Unity Pro
Discrete input number	32

Complementary

Group of channels	4
Addressing requirement	2 input words
Discrete input voltage	24 V AC
Input current	<= 13.2 mA 47...53 Hz <= 11.1 mA 57...63 Hz
Voltage state 1 guaranteed	14...30 V AC at 47...53 Hz 12...30 V AC at 57...63 Hz
Voltage state 0 guaranteed	0...5 V at 47...53 Hz 0...5 V at 57...63 Hz
Input impedance	3100 Ohm capacitive at 47...53 Hz 2600 Ohm capacitive at 57...63 Hz
Network frequency limits	47...63 Hz
Leakage current	<= 1.9 mA
Absolute maximum input	50 V 1 cycle 32 V 10 s 30 V continuous
Response time	7.3...12.3 ms On-Off 4.9...0.75 ms x line cycle Off-On
Isolation between group	1780 Vrms for 1 minute
Isolation between group and bus	1780 Vrms for 1 minute
Bus current requirement	250 mA
Power dissipation in W	<= 10.9 W
Local signalling	32 LEDs green input status 1 LED red external fault detected (F) 1 LED green bus communication is present (Active)
Marking	CE
Module format	Standard
Product weight	0.34 kg

Environment

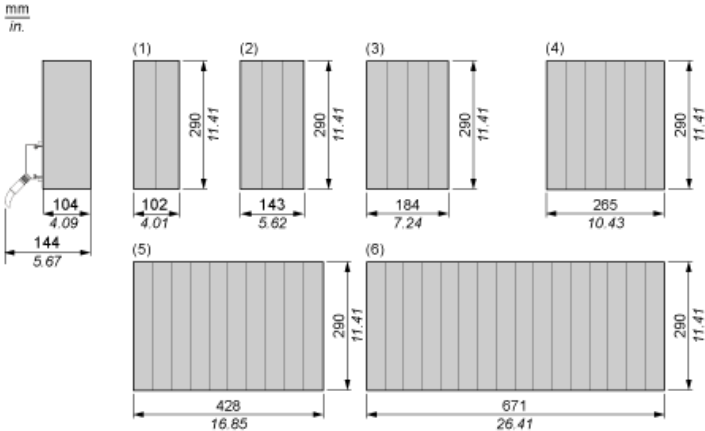
Protective treatment	Conformal coating Humiseal 1A33
Standards	CSA 22-2 No 142 UL 508
Product certifications	CUL FM Class 1 Division 2
Resistance to electrostatic discharge	8 kV on air conforming to IEC 801-2 4 kV contact conforming to IEC 801-2
Resistance to electromagnetic fields	10 V/m 80...2000 MHz conforming to IEC 801-3

The information provided in this documentation contains general descriptions and/or technical characteristics of the performance of the products contained herein. This documentation is not intended as a substitute for and is not to be used for determining suitability or reliability of these products for specific user applications. It is the duty of any such user or integrator to perform the appropriate and complete risk analysis, evaluation and testing of the products with respect to the relevant specific application or use thereof. Neither Schneider Electric Industries SAS nor any of its affiliates or subsidiaries shall be responsible or liable for misuse of the information contained herein.

Ambient air temperature for operation	0...60 °C
Ambient air temperature for storage	-40...85 °C
Relative humidity	95 % without condensation
Operating altitude	<= 5000 m

Racks for Modules Mounting

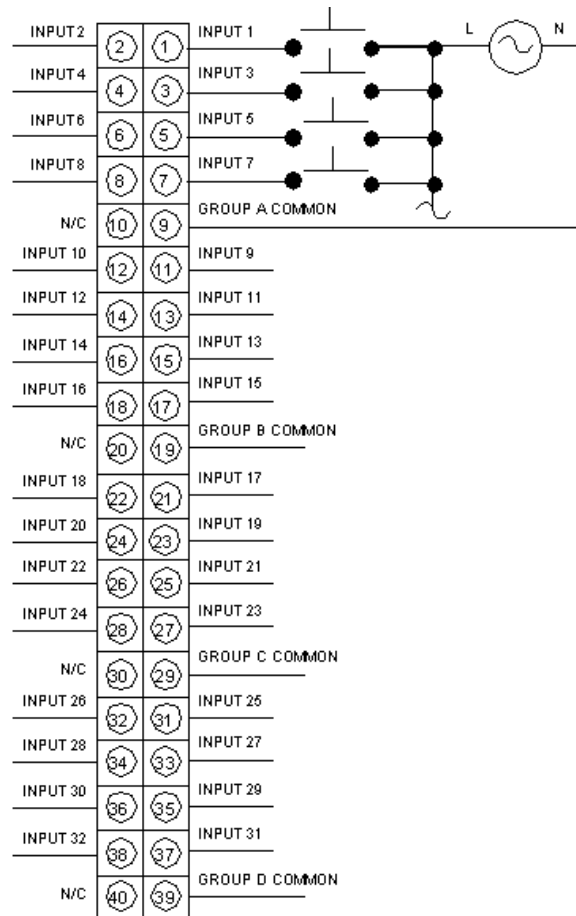
Dimensions of Modules and Racks



- (1) 2 slots
- (2) 3 slots
- (3) 4 slots
- (4) 6 slots
- (5) 10 slots
- (6) 16 slots

24 Vac Discrete Input Module

Wiring Diagram



N/C Not Connected