

### Main

Range of product	Modicon M238 logic controller
Product or component type	Discrete input module
Discrete input number	8
Discrete input voltage	120 V
Discrete input voltage type	AC

### Complementary

Range compatibility	Advantys OTB Twido
Input voltage limits	85...132 V
Discrete input current	7.5 mA
Input impedance	11 kOhm
Number of common point	1
Response time	25 ms at state 1 30 ms at state 0
Isolation between channels	None
Isolation between channels and internal logic	1500 V for 1 minute
Current consumption	55 mA 5 V DC at state 1
Local signalling	1 display block
Electrical connection	1 removable screw terminal block
Mounting support	35 mm symmetrical DIN rail
Product weight	0.085 kg

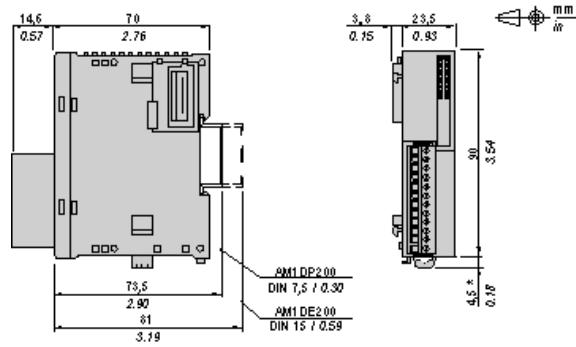
### Environment

RoHS EUR status	Compliant
RoHS EUR conformity date	0910

The information provided in this documentation contains general descriptions and/or technical characteristics of the performance of the products contained herein. This documentation is not intended as a substitute for and is not to be used for determining suitability or reliability of these products for specific user applications. It is the duty of any such user or integrator to perform the appropriate and complete risk analysis, evaluation and testing of the products with respect to the relevant specific application or use thereof. Neither Schneider Electric Industries SAS nor any of its affiliates or subsidiaries shall be responsible or liable for misuse of the information contained herein.

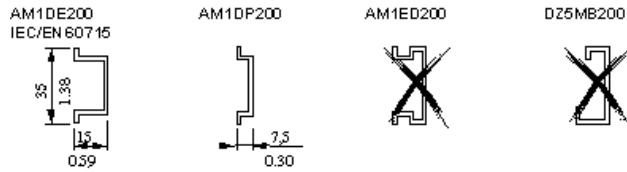
Digital Input Module (8-channel, 120 Vac)

Dimensions



NOTE: \* 8.5 mm (0.33 in) when the clamp is pulled out.

DIN Rail Mounting

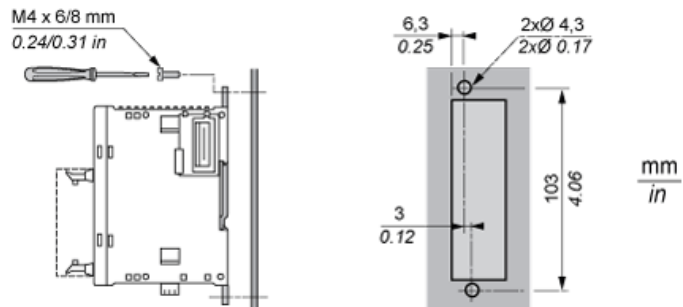


Rail depth	Catalogue part number
15 mm (0.59 in.)	AM1DE200
7,5 mm (0.30 in.)	AM1DP200

NOTE: Do not use AM1ED200 and DZ5MB200

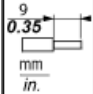
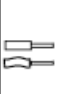
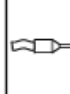
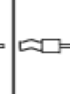
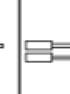

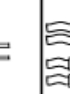

Module Mounting on a Panel Surface

Mounting Hole Layout



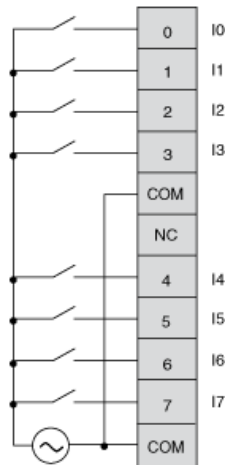
Wiring Requirements

Cable Types and Wire Sizes for Removable Screw Terminal Block

							
mm <sup>2</sup>	0,14...1,5	0,25...0,5	0,25...1,5	0,14...0,5	0,14...0,75	0,25...0,34	0,5
AWG	26...16	24...20	24...16	26...20	26...18	24...22	20

Digital Input Module (8-channel, 120 Vac)

Wiring Diagram



The two COM terminals are not connected together internally.