



### Main

Range of product	Modicon M238 logic controller
Product or component type	Analog output module
Analogue output number	2
Analogue output type	Voltage +/- 10 V

### Complementary

Range compatibility	Advantys OTB Twido
Analogue output resolution	11 bits + sign
LSB value	+/- 9.8 mV voltage
Load type	Resistive
Load impedance ohmic	<= 3000 Ohm voltage
Stabilisation time	2 ms
Conversion time	2 ms + 1 controller cycle time
Measurement error	+/- 0.5 % of full scale 25 °C
Temperature coefficient	+/-0.01 %FS/°C
Repeat accuracy	+/-0.1 %FS
Non-linearity	+/- 0.2 %FS
Output ripple	<= 1 LSB
Total error	+/-1 %FS
Type of cable	Twisted shielded cable
Insulation between channel and internal logic	Photocoupler
Supply	External supply
[Us] rated supply voltage	24 V DC
Supply voltage limits	19.2...30 V
Electrical connection	1 removable screw terminal block
Current consumption	60 mA 24 V DC external 60 mA 5 V DC internal
Product weight	0.085 kg

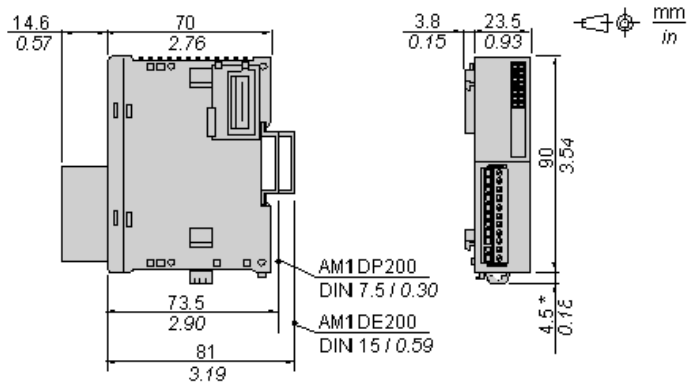
### Environment

Dielectric strength	2500 V between the I/O and internal logic
RoHS EUR status	Compliant
RoHS EUR conformity date	0848

The information provided in this documentation contains general descriptions and/or technical characteristics of the performance of the products contained herein. This documentation is not intended as a substitute for and is not to be used for determining suitability or reliability of these products for specific user applications. It is the duty of any such user or integrator to perform the appropriate and complete risk analysis, evaluation and testing of the products with respect to the relevant specific application or use thereof. Neither Schneider Electric Industries SAS nor any of its affiliates or subsidiaries shall be responsible or liable for misuse of the information contained herein.

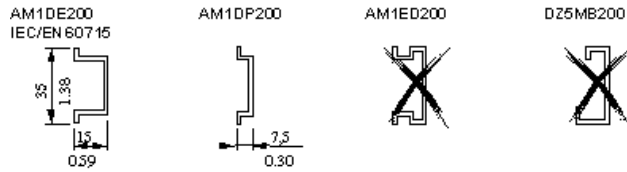
Analog Output Module (2-channel, Voltage)

Dimensions



NOTE: \* 8.5 mm (0.33 in) when the clip-on lock is pulled out.

DIN Rail Mounting

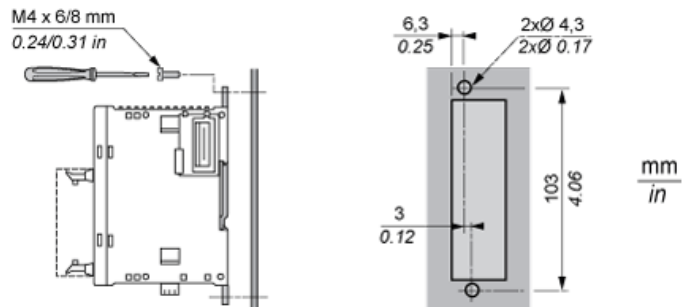


Rail depth	Catalogue part number
15 mm (0.59 in.)	AM1DE200
7,5 mm (0.30 in.)	AM1DP200

NOTE: Do not use AM1ED200 and DZ5MB200

Module Mounting on a Panel Surface

Mounting Hole Layout



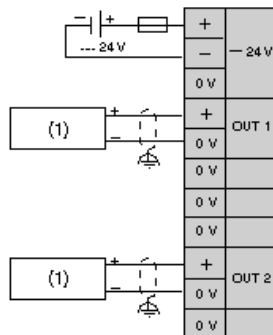
Wiring Requirements

Cable Types and Wire Sizes for Removable Screw Terminal Block

	mm <sup>2</sup>	0,14...1,5	0,25...0,5	0,25...1,5	0,14...0,5	0,14...0,75	0,25...0,34
AWG	26...16	24...20	24...16	26...20	26...18	24...22	20

Analog Output Module (2-channel, Voltage)

Wiring Diagram



(1) Voltage/current preactuator