



Main

Range of product	Modicon M238 logic controller
Product or component type	Analog input module
Analogue input number	2
Input level	High level
Analogue input type	Current 4...20 mA non differential Voltage 0...10 V non differential
Cross talk	<= 2 LSB

Complementary

Range compatibility	Advantys OTB Twido
Analogue input resolution	12 bits
LSB value	2.5 mV voltage voltage 4.8 µA current current
Permissible continuous overload	13 V voltage 40 mA current
Input impedance	>= 1 MOhm voltage 10 Ohm current
Sampling duration	<= 10 ms
Acquisition period	10 ms per channel + 1 controller cycle time
Measurement error	+/- 0.2 % of full scale 25 °C
Temperature coefficient	+/-0.006 %FS/°C
Repeat accuracy	+/-0.5 %FS
Non-linearity	+/- 0.2 %FS
Total error	+/-1 %FS
Type of cable	Shielded cable
Insulation between channel and internal logic	Photocoupler
Supply	External supply
[Us] rated supply voltage	24 V DC
Supply voltage limits	20.4...28.8 V
Electrical connection	1 removable screw terminal block
Current consumption	40 mA 24 V DC external 50 mA 5 V DC internal
Product weight	0.085 kg

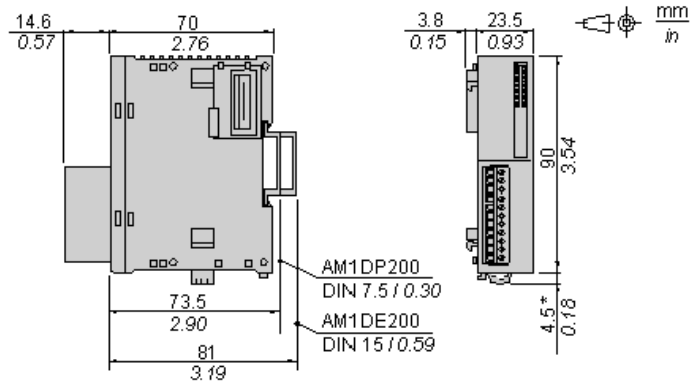
Environment

Dielectric strength	500 V between the I/O and internal logic 500 V between the I/O and the external supply circuit
RoHS EUR status	Compliant
RoHS EUR conformity date	0830

The information provided in this documentation contains general descriptions and/or technical characteristics of the performance of the products contained herein. This documentation is not intended as a substitute for and is not to be used for determining suitability or reliability of these products for specific user applications. It is the duty of any such user or integrator to perform the appropriate and complete risk analysis, evaluation and testing of the products with respect to the relevant specific application or use thereof. Neither Schneider Electric Industries SAS nor any of its affiliates or subsidiaries shall be responsible or liable for misuse of the information contained herein.

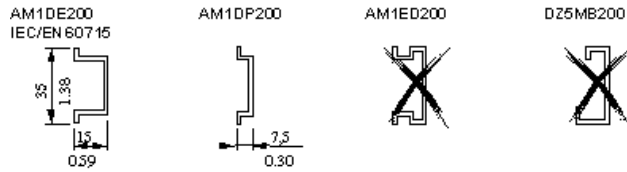
Analog Input Module (2-channel, Voltage/Current)

Dimensions



NOTE: * 8.5 mm (0.33 in) when the clip-on lock is pulled out.

DIN Rail Mounting

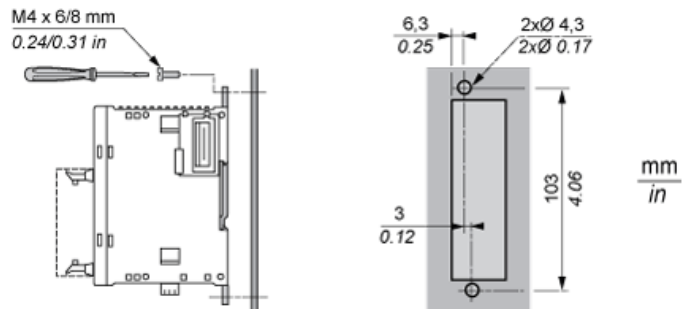


Rail depth	Catalogue part number
15 mm (0.59 in.)	AM1DE200
7,5 mm (0.30 in.)	AM1DP200

NOTE: Do not use AM1ED200 and DZ5MB200

Module Mounting on a Panel Surface

Mounting Hole Layout



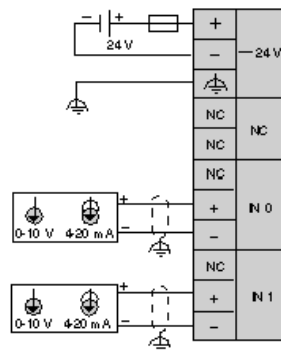
Wiring Requirements

Cable Types and Wire Sizes for Removable Screw Terminal Block

	mm ²	0,14...1,5	0,25...0,5	0,25...1,5	0,14...0,5	0,14...0,75	0,25...0,34
AWG	26...16	24...20	24...16	26...20	26...18	24...22	20

Analog Input Module (2-channel, Voltage/Current)

Wiring Diagram



The (-) poles of inputs IN0 and IN1 are connected internally.