



Main

Range of product	Zelio Relay
Product or component type	Solid state relay
Device short name	SSR
Mounting support	Panel
[In] rated current	50 A
Output voltage	24...280 V AC
[Uc] control circuit voltage	3...32 V
Control circuit type	DC

Complementary

Contacts type and composition	1 NO
Tightening torque	<= 2.2 N.m for output <= 1.1 N.m for input
Local signalling	LED green for input status
Switching voltage	3 V DC turn-on 1 V DC turn-off
Input current limits	10 mA
Solid state output type	SCR output Zero voltage switching
Load current	0.15...50 A
Output sustained overvoltage	600 V
Surge current	625 A for 16.6 ms
Voltage drop	1.6 V on-state
Thermal resistance	0.63 °C/W
Maximum I ² t for fusing	1620 A ² .s for 8.3 ms
Leakage current	<= 1 mA off-state
DV/Dt	500 V/μs off-state at maximum voltage
Response time	0.5 cycle turn-off 0.5 cycle turn-on

Environment

Standards	UL E258297 CSA LR 40487 IEC 60950-1 IEC 62314
Marking	CE
IP degree of protection	IP20
Ambient air temperature for operation	-40...80 °C
Ambient air temperature for storage	-40...125 °C

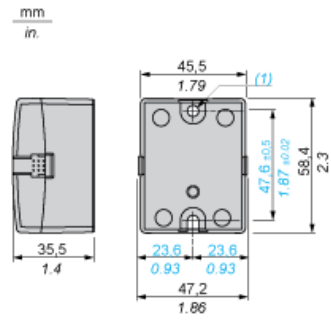
Offer Sustainability

Sustainable offer status	Not Green Premium product
ROHS	Compliant - since 0940 - download declaration of conformity

The information provided in this documentation contains general descriptions and/or technical characteristics of the performance of the products contained herein. This documentation is not intended as a substitute for and is not to be used for determining suitability or reliability of these products for specific user applications. It is the duty of any such user or integrator to perform the appropriate and complete risk analysis, evaluation and testing of the products with respect to the relevant specific application or use thereof. Neither Schneider Electric Industries SAS nor any of its affiliates or subsidiaries shall be responsible or liable for misuse of the information contained herein.

Solid State Relay

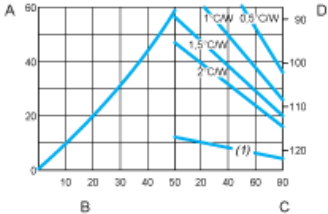
Panel Mounting



(1) $\text{Ø}4.9 \pm 0.25 \text{ mm} / \text{Ø}0.16 \pm 0.0098 \text{ in. hole}$

Thermal Derating Curves

50 A Relays



- A: Power dissipation
- B: Load current (Arms)
- C: Max. ambient temperature (°C)
- D: Base plate temperature (°C)
- (1) No heat sink