

## Features

- Slightly Larger than One Cubic Inch
- See-Thru Plastic Cover
- Plug-In or Solder Terminal
- PC Board Mount (P-suffix)
- Indicator Lamp Types (N-suffix)
- Hermetically Sealed, Metal Enclosure Types (H-suffix)
- Push-to-Test Button Types (B-suffix)
- Bifurcated Contact Type (T-suffix)
- High Reliability, 50 Million Operations

| AC OPERATED   |              |              |                      |            |                                     |          |
|---------------|--------------|--------------|----------------------|------------|-------------------------------------|----------|
| NTE Type No.  | Nom. Voltage | Contact Arr. | Coil Res. Ohms (Typ) | Nom. Power | Max. Contact Cur. @ 28VDC or 120VAC | Diag No. |
| R12-11A5-12   | 12VAC        | DPDT         | —                    | 1.2VA      | 5A                                  | D8a      |
| R12-11A5-24   | 24VAC        | DPDT         | —                    | 1.2VA      | 5A                                  | D8a      |
| R12-11A5-120  | 115VAC       | DPDT         | —                    | 1.2VA      | 5A                                  | D8a      |
| R12-11A5-240  | 240VAC       | DPDT         | —                    | 1.2VA      | 5A                                  | D8a      |
| R12-14A5-12   | 12VAC        | 3PDT         | —                    | 1.2VA      | 5A                                  | D32b     |
| R12-14A5-24   | 24VAC        | 3PDT         | —                    | 1.2VA      | 5A                                  | D32b     |
| R12-14A5-120  | 120VAC       | 3PDT         | —                    | 1.2VA      | 5A                                  | D32b     |
| R12-17A5-24H  | 24VAC        | 4PDT         | —                    | 1.2VA      | 5A                                  | D22c     |
| R12-17A5-24N  | 24VAC        | 4PDT         | —                    | 1.2VA      | 5A                                  | D8c      |
| R12-17A5-120H | 115VAC       | 4PDT         | —                    | 1.2VA      | 5A                                  | D22c     |
| R12-17A5-120N | 120VAC       | 4PDT         | —                    | 1.2VA      | 5A                                  | D8c      |
| R12-17A3-12   | 12VAC        | 4PDT         | —                    | 1.2VA      | 5A                                  | D8c      |
| R12-17A3-12B  | 12VAC        | 4PDT         | —                    | 1.2VA      | 3A                                  | D8c      |
| R12-17A3-12P  | 12VAC        | 4PDT         | —                    | 1.2VA      | 3A                                  | D9c      |
| R12-17A3-12T  | 12VAC        | 4PDT         | —                    | 1.2VA      | 1A                                  | D8c      |
| R12-17A3-24   | 24VAC        | 4PDT         | —                    | 1.2VA      | 5A                                  | D8c      |
| R12-17A3-24B  | 24VAC        | 4PDT         | —                    | 1.2VA      | 3A                                  | D8c      |
| R12-17A3-24P  | 24VAC        | 4PDT         | —                    | 1.2VA      | 5A                                  | D9c      |
| R12-17A3-24T  | 24VAC        | 4PDT         | —                    | 1.2VA      | 1A                                  | D8c      |
| R12-17A3-120  | 120VAC       | 4PDT         | —                    | 1.2VA      | 5A                                  | D8c      |
| R12-17A3-120B | 120VAC       | 4PDT         | —                    | 1.2VA      | 5A                                  | D8c      |
| R12-17A3-120P | 120VAC       | 4PDT         | —                    | 1.2VA      | 5A                                  | D9c      |
| R12-17A3-120T | 120VAC       | 4PDT         | —                    | 1.2VA      | 1A                                  | D8c      |
| R12-17A3-240  | 240VAC       | 4PDT         | —                    | 1.2VA      | 3A                                  | D8c      |
| DC OPERATED   |              |              |                      |            |                                     |          |
| R12-11D5-12   | 12VDC        | DPDT         | 160                  | 0.9W       | 5A                                  | D8a      |
| R12-11D5-24   | 24VDC        | DPDT         | 650                  | 0.9W       | 5A                                  | D8a      |
| R12-14D5-6    | 6VDC         | 3PDT         | 40                   | 0.9W       | 5A                                  | D32b     |
| R12-14D5-12   | 12VDC        | 3PDT         | 160                  | 0.9W       | 5A                                  | D32b     |
| R12-14D5-24   | 24VDC        | 3PDT         | 650                  | 0.9W       | 5A                                  | D32b     |
| R12-17D5-12H  | 12VDC        | 4PDT         | 160                  | 0.9W       | 5A                                  | D22c     |
| R12-17D5-12N  | 12VDC        | 4PDT         | 160                  | 0.9W       | 5A                                  | D8c      |
| R12-17D5-24H  | 24VDC        | 4PDT         | 650                  | 0.9W       | 5A                                  | D22c     |
| R12-17D5-24N  | 24VDC        | 4PDT         | 650                  | 0.9W       | 5A                                  | D8c      |
| R12-17D3-6    | 6VDC         | 4PDT         | 40                   | 0.9W       | 5A                                  | D8c      |
| R12-17D3-6P   | 6VDC         | 4PDT         | 40                   | 0.9W       | 5A                                  | D9c      |
| R12-17D3-12   | 12VDC        | 4PDT         | 160                  | 0.9W       | 3A                                  | D8c      |
| R12-17D3-12B  | 12VDC        | 4PDT         | 160                  | 0.9W       | 3A                                  | D8c      |
| R12-17D3-12P  | 12VDC        | 4PDT         | 160                  | 0.9W       | 3A                                  | D9c      |
| R12-17D3-12T  | 12VDC        | 4PDT         | 160                  | 0.9W       | 1A                                  | D8c      |
| R12-17D3-24   | 24VDC        | 4PDT         | 650                  | 0.9W       | 5A                                  | D8c      |
| R12-17D3-24B  | 24VDC        | 4PDT         | 650                  | 0.9W       | 3A                                  | D8c      |
| R12-17D3-24P  | 24VDC        | 4PDT         | 650                  | 0.9W       | 5A                                  | D9c      |
| R12-17D3-24T  | 24VDC        | 4PDT         | 650                  | 0.9W       | 1A                                  | D8c      |
| R12-17D3-48   | 48VDC        | 4PDT         | 2600                 | 0.9W       | 3A                                  | D8c      |
| R12-17D3-110  | 110VDC       | 4PDT         | 11000                | 0.9W       | 3A                                  | D8c      |

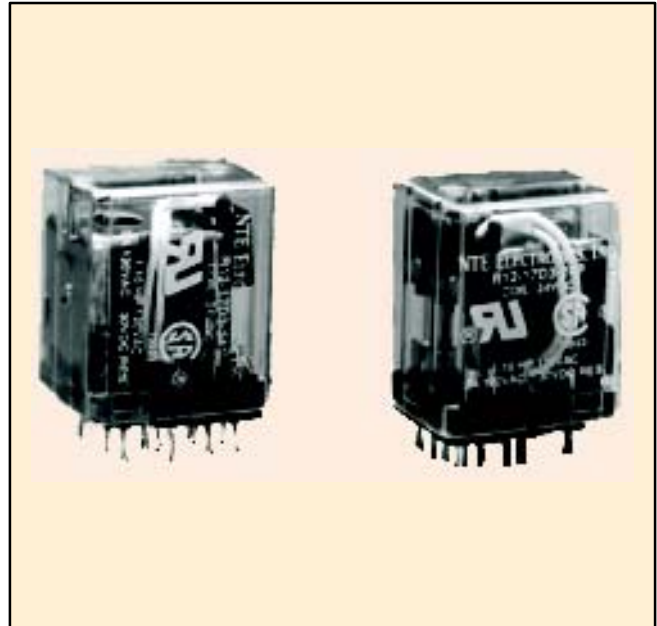
Note 1. R12 Series hermetically sealed relays (H-suffix) are UL recognized for Class 1, Division 2 (Hazardous locations).

| ACCESSORIES     |              |              |
|-----------------|--------------|--------------|
| MOUNTING STYLES | DESCRIPTION  | NTE TYPE NO. |
| SURFACE MOUNT   | 14-PIN BLADE | R95-106A     |
| SURFACE MOUNT   | 8-PIN BLADE  | R95-150      |
| PANEL MOUNT     | 14-PIN BLADE | R95-122      |
| PANEL MOUNT     | 11-PIN BLADE | RLY9151      |
| PANEL MOUNT     | 8-PIN BLADE  | R95-148      |
| PC MOUNT        | 14-PIN BLADE | R95-107      |
| PC MOUNT        | 11-PIN BLADE | RLY9152      |
| PC MOUNT        | 8-PIN BLADE  | R95-149      |
| DIN RAIL MOUNT  | 14-PIN BLADE | R95-117      |
| DIN RAIL MOUNT  | 11-PIN BLADE | RLY9153      |

# R12 Series



General Purpose, 1 Amp, 3 Amp & 5 Amp, DPDT, 3PDT & 4PDT AC & DC Relays.



## Electrical Specifications

### Contact

**Contact Rating:** 5 Amp @ 240 VAC/28 VDC,  
3 Amp @ 240 VAC/28 VDC  
1 Amp @ 240 VAC/28 VDC

**Contact Material:** Silver Cad-oxide

Silver <sup>w</sup>/Gold Flashing (T-type ONLY)

**Contact Resistance:** 100 milliohms max. (at 6 VDC, 1 Amp)

### Coil

**Coil Voltages:** See Chart

**Pick-up Voltage:** 80% of nominal or less for AC  
75% of nominal or less for DC

**Resistance:** See chart

**Min Sensitivity:** 0.5 Watts DC .75 volt Amps (60Hz)

**Duty Cycle:** Continuous

### Operational Characteristics

**Timing Values . . . . .** Operate Time: 25 ms or less } at nominal  
Release Time: 25 ms or less } coil voltage

### Insulation Characteristics

**Dielectric Strength**

**Contact To Coil:** 1500 VRMS (50/60 Hz)

**Across Open Contacts:** 1000 VRMS (50/60 Hz)

**Coil to Frame:** 1500 VRMS (50/60 Hz)

**Insulation Resistance:** 100 megohms Min. @ 500 VDC

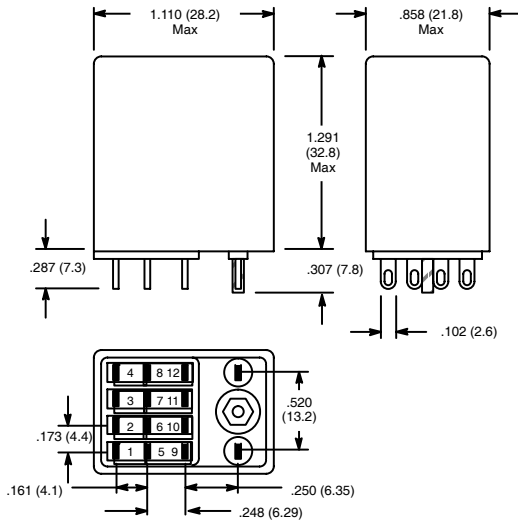
### Environmental Characteristics

**Operating:** -30°C to +55°C

### Weight

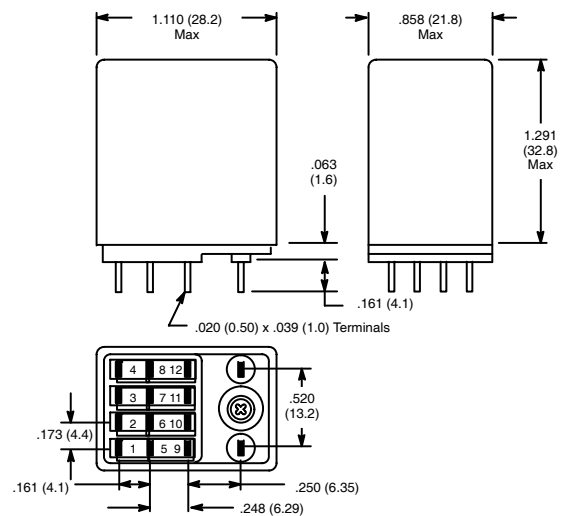
**Std:** 1 1/2 ozs (45 grams)—approx

### D8

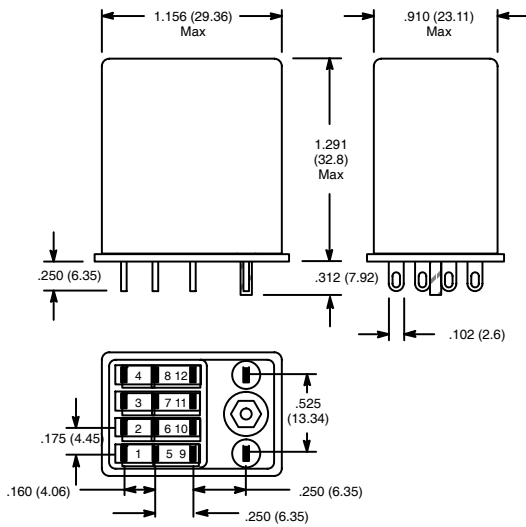


Note: 3-56 Thread Size

### D9

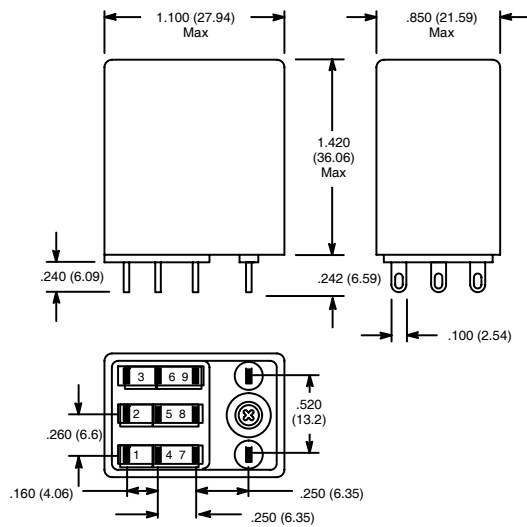


### D22

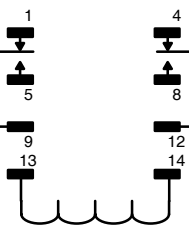


Note: 3-48 Thread Size

### D32

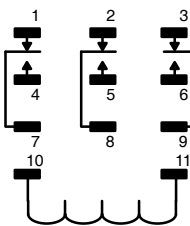


### A (DPDT), 2 Form "C"



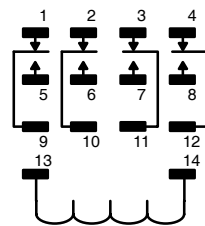
Viewed from Pin end of Plug

### B (3PDT), 3 Form "C"



Viewed from Pin end of Plug

### C (4PDT), 4 Form "C"



Viewed from Pin end of Plug