

# Bat Handle Toggle, Single Pole



## Features

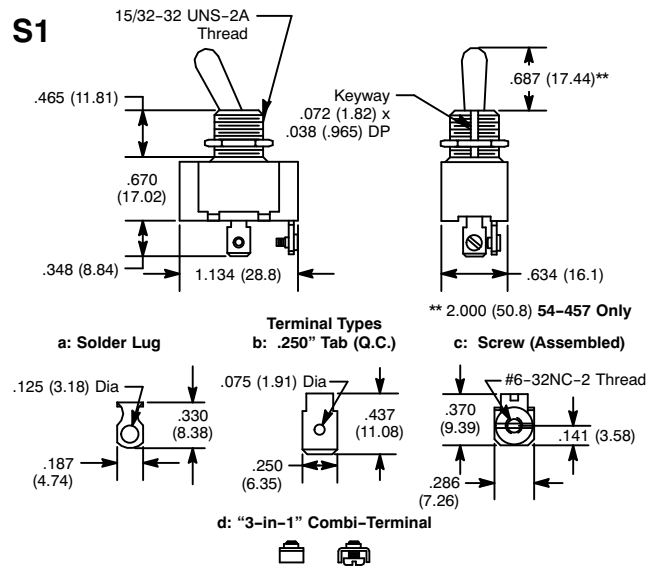
- Neoprene Seal Toggle (54-456 & 54-457 ONLY)
- Slow Make, Slow Break Contacts
- AC Rated, Suitable for Low Voltage DC Also
- Standard .500" Dia Mounting Hole
- Various Terminal Selections



NTE Type No.	Circuitry	Action			Actuator	Diag No.
54-001	SPST	ON	NONE	(OFF)	Brass/Nickel Plate	S1c
54-002	SPDT	(ON)	OFF	(ON)	Brass/Nickel Plate	S1c
54-006	SPST	ON	NONE	OFF	Brass/Nickel Plate	S1a
54-007	SPST	ON	NONE	OFF	Brass/Nickel Plate	S1b
54-008	SPST	ON	NONE	OFF	Brass/Nickel Plate	S1c
54-009	SPDT	ON	OFF	ON	Brass/Nickel Plate	S1b
54-010	SPDT	ON	OFF	ON	Brass/Nickel Plate	S1c
54-023	SPST	ON	NONE	OFF	Brass/Nickel Plate	S1d
54-024	SPDT	ON	NONE	ON	Brass/Nickel Plate	S1d
54-025	SPDT	ON	OFF	ON	Brass/Nickel Plate	S1d
54-456*	SPST	ON	NONE	OFF	Brass/Nickel Plate	S1c
54-457*	SPST	(ON)	NONE	OFF	Brass/Nickel Plate	S1c

NEW  
NEW

SPECIAL NOTE: ( ) = Momentary Function  
\* Neoprene Seal Toggle



## Specifications

**Current Rating:** 15A 125VAC, 10A 250VAC, 3/4 HP 125-250VAC  
**Insulation Resistance:** 100 Megohms (min.)  
**Dielectric Strength:** 1000V RMS (min.)  
**Temperature Rating:** 0°F to +150°F (-17.8°C to +65.6°C)  
**Electrical Life:** 50,000 cycles maintained, 25,000 cycles momentary  
**Mechanical Life:** 100,000 cycles  
**Terminal Type:** Refer to Diag No. in Table  
**Mounting Hole:** .500 (12.7)

# Bat Handle Toggle, Single Pole

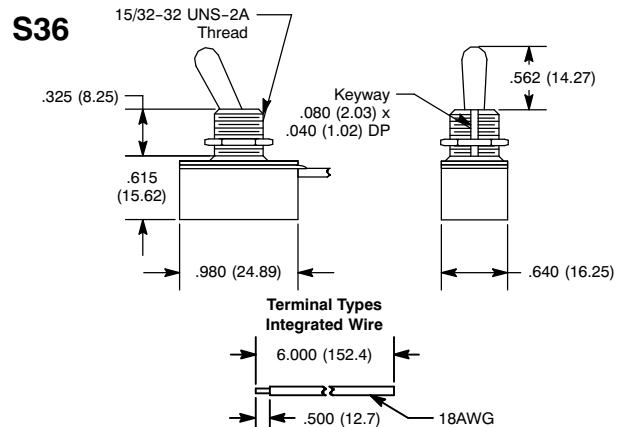


## Features

- Quick Make, Quick Break Wiping Action
- 6" Wire Leads
- Brass or Plastic Actuator



NTE Type No.	Circuitry	Action			Actuator	Diag No.
54-130	SPST	OFF	NONE	ON	Brass/Nickel Plate	S36
54-131	SPST	OFF	NONE	ON	Plastic	S36



## Specifications

**Current Rating:** 10A 250VAC, 8A 125VDC, 4A 250VDC, 1/3 HP 125VAC  
**Dielectric Strength:** 1000V RMS (min.)  
**Temperature Rating:** +149°F (+65°C) Max  
**Electrical Life:** 25,000 cycles Min  
**Mechanical Life:** 100,000 cycles  
**Terminal Type:** Integrated Wire  
**Mounting Hole:** .500 (12.7)

# Bat Handle Toggle, Single Pole

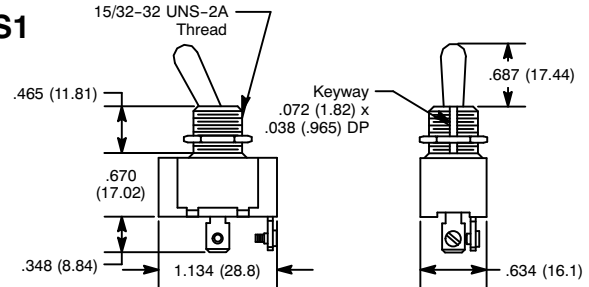


## Features

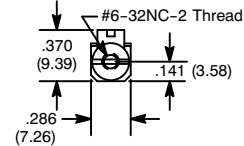
- Slow Make, Slow Break Contacts
- AC Rated, Suitable for Low Voltage DC Also
- Standard .500" Dia Mounting Hole
- Screw Mount Terminals



S1



Terminal Types  
c: Screw (Assembled)



## Specifications

**Current Rating:** 6A 125VAC, 3A 250VAC, 1/4 HP 120-240VAC  
**Insulation Resistance:** 100 Megohms (min.)  
**Dielectric Strength:** 1000V RMS (min.)  
**Temperature Rating:** 0°F to +150°F (-17.8°C to +65.6°C)  
**Electrical Life:** 50,000 cycles  
**Mechanical Life:** 100,000 cycles  
**Terminal Type:** Screw Type  
**Mounting Hole:** .500 (12.7)

NTE Type No.	Circuitry	Action			Actuator	Diag No.
54-094	SPST	(ON)	NONE	OFF	Brass/Nickel Plate	S1c
54-096	SPDT	ON	NONE	ON	Brass/Nickel Plate	S1c
54-097	SPDT	ON	NONE	(ON)	Brass/Nickel Plate	S1c
54-143	SPST	ON	NONE	OFF	Brass/Nickel Plate	S1c

NEW

SPECIAL NOTE: ( ) = Momentary Function

# Bat Handle Toggle, Single Pole

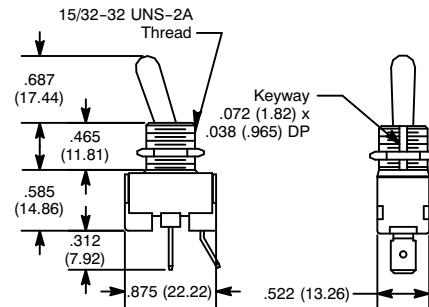


## Features

- AC Rated, General Purpose
- Industry Standard .500" Dia Mounting Hole
- .250" Quick Connect Terminals



S3



Terminal Types

b: .250" Tab (Q.C.)



## Specifications

**Current Rating:**  
**54-005:** 20A 125VAC, 10A 250VAC, 1 1/2 HP 125-250VAC  
**54-098:** 10A 125VAC, 5A 250VAC, 1/2 HP 125-250VAC  
**Insulation Resistance:** 100 Megohms (min.)  
**Dielectric Strength:** 1000V RMS (min.)  
**Temperature Rating:** +32°F to +185°F (0°C to +85°C)  
**Electrical Life:** 25,000 cycles  
**Mechanical Life:** 100,000 cycles  
**Terminal Type:** .250" Tab Q.C.  
**Mounting Hole:** .500 (12.7)

NTE Type No.	Circuitry	Action			Actuator	Diag No.
54-005	SPST	ON	NONE	OFF	Brass/Nickel Plate	S3b
54-098	SPDT	ON	NONE	ON	Brass/Nickel Plate	S3b

# Bat Handle Toggle, Single Pole

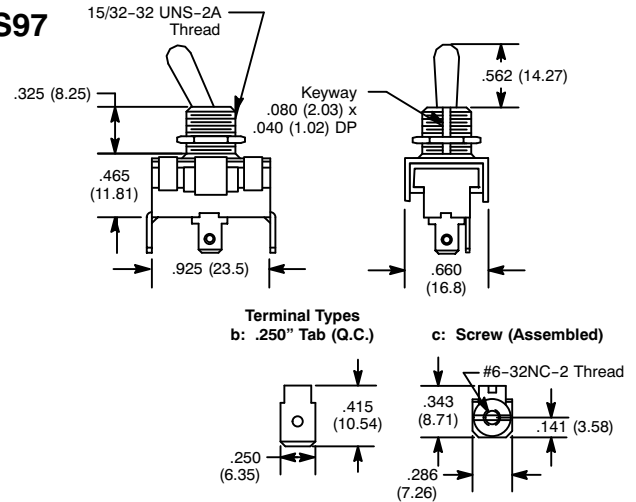


## Features

- Slow-Make/Slow-Break Butt Contact
- 1 HP, 125-250VAC



S97



## Specifications

**Current Rating:** 20A 125VAC, 10A 250VAC, 1 HP 125-250VAC  
**Insulation Resistance:** 10<sup>9</sup> ohms (min.)  
**Dielectric Strength:** 1500V RMS (min.)  
**Temperature Rating:** +14°F to +149°F (-10°C to +65°C)  
**Electrical Life:** 10,000 cycles (min.) at full load  
**Mechanical Life:** 30,000 cycles (min.)  
**Terminal Type:** Refer to Diag. No. in Table  
**Mounting Hole:** .500 (12.7)

NTE Type No.	Circuitry	Action			Actuator	Diag No.
NEW 54-579	SPST	ON	NONE	OFF	Nickel Plated Brass	S97b
NEW 54-580	SPST	(ON)	NONE	OFF	Nickel Plated Brass	S97b
NEW 54-581	SPST	ON	NONE	(OFF)	Nickel Plated Brass	S97b
NEW 54-582	SPDT	ON	NONE	ON	Nickel Plated Brass	S97b
NEW 54-583	SPDT	ON	OFF	ON	Nickel Plated Brass	S97b
NEW 54-584	SPDT	(ON)	NONE	ON	Nickel Plated Brass	S97b
NEW 54-585	SPDT	(ON)	OFF	ON	Nickel Plated Brass	S97b
NEW 54-586	SPDT	(ON)	OFF	(ON)	Nickel Plated Brass	S97b
NEW 54-593	SPST	ON	NONE	OFF	Nickel Plated Brass	S97c
NEW 54-594	SPST	(ON)	NONE	OFF	Nickel Plated Brass	S97c
NEW 54-595	SPST	ON	NONE	(OFF)	Nickel Plated Brass	S97c
NEW 54-596	SPDT	ON	NONE	ON	Nickel Plated Brass	S97c
NEW 54-597	SPDT	ON	OFF	ON	Nickel Plated Brass	S97c
NEW 54-598	SPDT	(ON)	NONE	ON	Nickel Plated Brass	S97c
NEW 54-599	SPDT	(ON)	OFF	ON	Nickel Plated Brass	S97c
NEW 54-600	SPDT	(ON)	OFF	(ON)	Nickel Plated Brass	S97c

SPECIAL NOTE: ( ) = Momentary Function

# Bat Handle Toggle, Double Pole

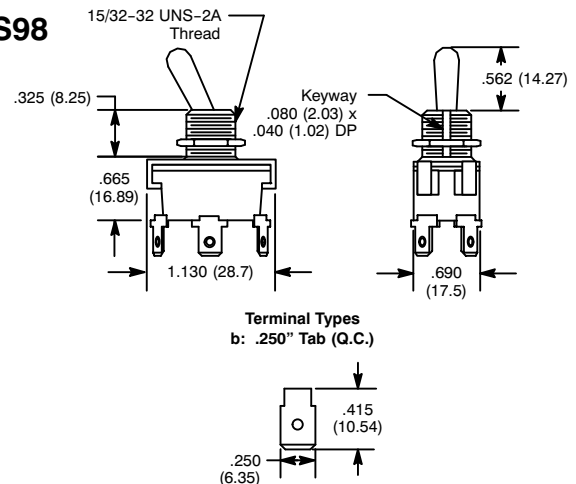


## Features

- Slow-Make/Slow-Break Butt Contact
- 1 HP, 125-250VAC



S98



## Specifications

**Current Rating:** 20A 125VAC, 10A 250VAC, 1 HP 125-250VAC  
**Insulation Resistance:** 10<sup>9</sup> ohms (min.)  
**Dielectric Strength:** 1500V RMS (min.)  
**Temperature Rating:** +14°F to +149°F (-10°C to +65°C)  
**Electrical Life:** 10,000 cycles (min.) at full load  
**Mechanical Life:** 30,000 cycles (min.)  
**Terminal Type:** .250" Tab Q.C.  
**Mounting Hole:** .500 (12.7)

NTE Type No.	Circuitry	Action			Actuator	Diag No.
NEW 54-590	DPST	ON	NONE	OFF	Nickel Plated Brass	S98b
NEW 54-591	DPDT	ON	NONE	ON	Nickel Plated Brass	S98b
NEW 54-592	DPDT	ON	OFF	ON	Nickel Plated Brass	S98b

# Bat Handle Toggle, Single Pole

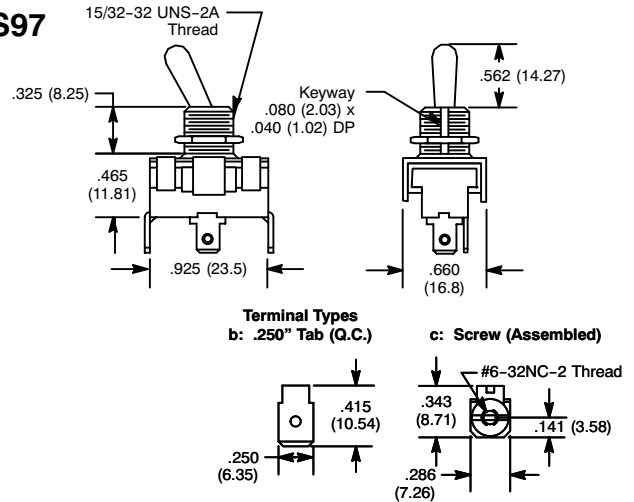


## Features

- Slow-Make/Slow-Break Butt Contact
- 3/4 HP, 125-250VAC



S97



## Specifications

**Current Rating:** 20A 125VAC, 10A 250VAC, 3/4 HP 125-250VAC  
**Insulation Resistance:** 10<sup>9</sup> ohms (min.)  
**Dielectric Strength:** 1000V RMS (min.)  
**Temperature Rating:** +14°F to +149°F (-10°C to +65°C)  
**Electrical Life:** 10,000 cycles (min.) at full load  
**Mechanical Life:** 30,000 cycles (min.)  
**Terminal Type:** Refer to Diag. No. in Table  
**Mounting Hole:** .500 (12.7)

NTE Type No.	Circuitry	Action			Actuator	Diag No.
NEW 54-610	SPST	ON	NONE	OFF	Nickel Plated Brass	S97c
NEW 54-611	SPST	(ON)	NONE	OFF	Nickel Plated Brass	S97c
NEW 54-612	SPST	ON	NONE	(OFF)	Nickel Plated Brass	S97c
NEW 54-613	SPDT	ON	NONE	ON	Nickel Plated Brass	S97c
NEW 54-614	SPDT	ON	OFF	ON	Nickel Plated Brass	S97c
NEW 54-615	SPDT	(ON)	NONE	ON	Nickel Plated Brass	S97c
NEW 54-616	SPDT	(ON)	OFF	ON	Nickel Plated Brass	S97c
NEW 54-617	SPDT	(ON)	OFF	(ON)	Nickel Plated Brass	S97c
NEW 54-619	SPST	ON	NONE	OFF	Nickel Plated Brass	S97b
NEW 54-620	SPST	(ON)	NONE	OFF	Nickel Plated Brass	S97b
NEW 54-621	SPST	ON	NONE	(OFF)	Nickel Plated Brass	S97b
NEW 54-622	SPDT	ON	NONE	ON	Nickel Plated Brass	S97b
NEW 54-623	SPDT	ON	OFF	ON	Nickel Plated Brass	S97b
NEW 54-624	SPDT	(ON)	NONE	ON	Nickel Plated Brass	S97b
NEW 54-625	SPDT	(ON)	OFF	ON	Nickel Plated Brass	S97b
NEW 54-626	SPDT	(ON)	OFF	(ON)	Nickel Plated Brass	S97b

SPECIAL NOTE: ( ) = Momentary Function

# Bat Handle Toggle, Double Pole

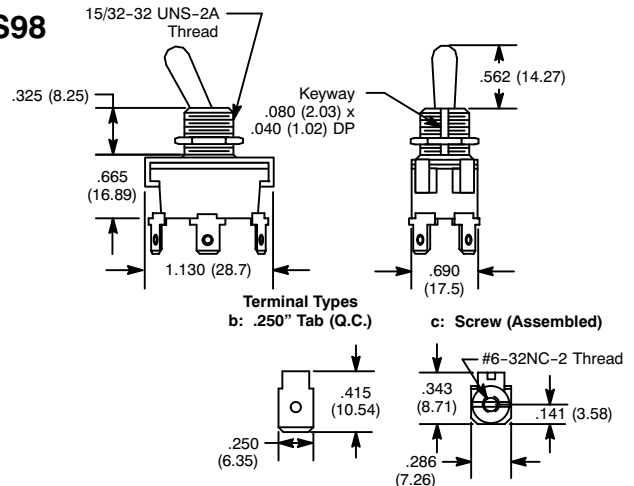


## Features

- Slow-Make/Slow-Break Butt Contact
- 3/4 HP, 125-250VAC



S98



## Specifications

**Current Rating:** 20A 125VAC, 10A 250VAC, 3/4 HP 125-250VAC  
**Insulation Resistance:** 10<sup>9</sup> ohms (min.)  
**Dielectric Strength:** 1000V RMS (min.)  
**Temperature Rating:** +14°F to +149°F (-10°C to +65°C)  
**Electrical Life:** 10,000 cycles (min.) at full load  
**Mechanical Life:** 30,000 cycles (min.)  
**Terminal Type:** Refer to Diag. No. in Table  
**Mounting Hole:** .500 (12.7)

NTE Type No.	Circuitry	Action			Actuator	Diag No.
NEW 54-602	DPST	ON	NONE	OFF	Nickel Plated Brass	S98c
NEW 54-603	DPDT	ON	NONE	ON	Nickel Plated Brass	S98c
NEW 54-604	DPDT	ON	OFF	ON	Nickel Plated Brass	S98c
NEW 54-606	DPST	ON	NONE	OFF	Nickel Plated Brass	S98b
NEW 54-607	DPDT	ON	NONE	ON	Nickel Plated Brass	S98b
NEW 54-608	DPDT	ON	OFF	ON	Nickel Plated Brass	S98b

# Bat Handle Toggle, Single Pole

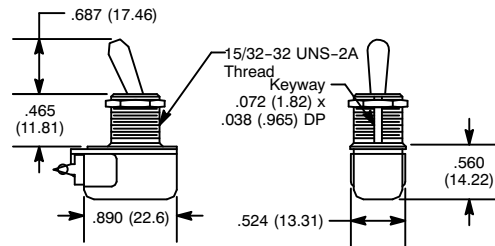


## Features

- Quick Make, Quick Break Contacts
- AC/DC Shallow Back Panel Applications
- Standard .500" Dia Mounting Hole

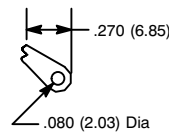


## S14

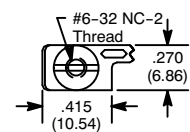


### Terminal Types

a: Solder Lug (End)



c: Screw (Assembled)

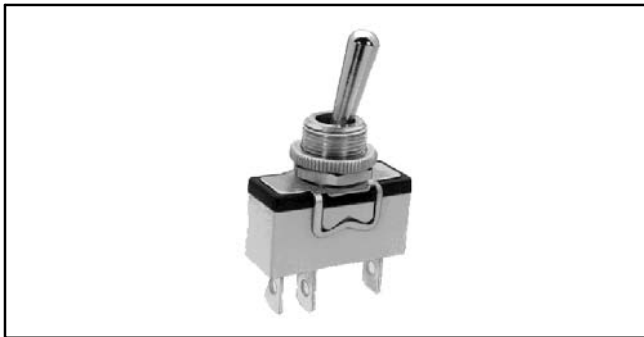


## Specifications

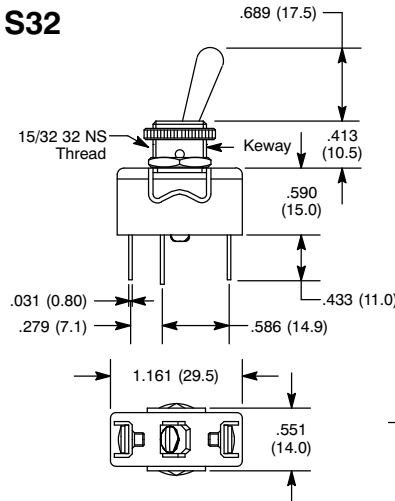
**Current Rating:** 6A 125VAC, 3A 250VAC, AC/DC  
**Insulation Resistance:** 100 Megohms (min.)  
**Dielectric Strength:** 1000V RMS (min.)  
**Temperature Rating:** 0°F to +150°F (-17.8°C to +65.6°C)  
**Electrical Life:** 25,000 cycles  
**Mechanical Life:** 15,000 cycles  
**Terminal Type:** Refer to Diag No. in Table  
**Mounting Hole:** .500 (12.7)

NTE Type No.	Circuitry	Action			Actuator	Diag No.
54-070	SPST	ON	NONE	OFF	Brass/Nickel Plate	S14a
54-071	SPST	ON	NONE	OFF	Brass/Nickel Plate	S14c

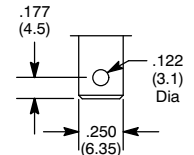
# Bat Handle Toggle, Single Pole



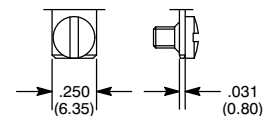
## S32



a: Solder Lug/Quick Connect



c: Screw (Assembled)



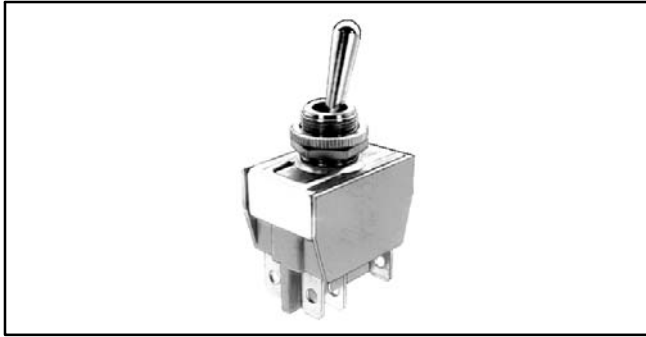
## Specifications

**Current Rating:**  
**Functions ON-OFF and ON-ON:** 15A 250VAC or 10A 24VDC  
**Functions ON OFF ON:** 15A 250VAC  
**Other Functions:** 15A 125VAC, 12A 250VAC or 5A 25VDC  
**Insulation Resistance:** 1000 Megohms (min.) at 500VDC  
**Dielectric Strength:** 2000V RMS (min.) between terminals  
**Temperature Rating:** -4°F to +131°F (-20°C to +55°C)  
**Electrical Life:** 10,000 cycles (min.) at full load  
**Terminal Type:** Refer to Diag No. in Table  
**Mounting Hole:** .480 (12.2)

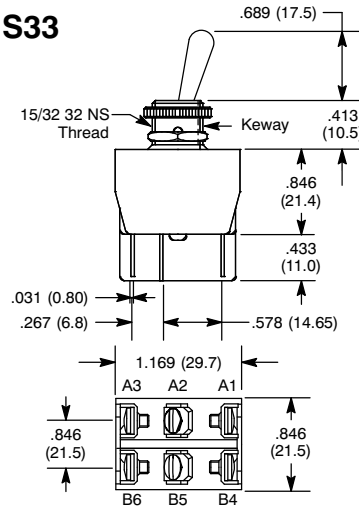
NTE Type No.	Circuitry	Action			Actuator	Diag No.
54-348	SPST	ON	NONE	OFF	Nickel Plated Brass	S32a
54-349	SPDT	ON	NONE	ON	Nickel Plated Brass	S32a
54-350	SPDT	ON	OFF	ON	Nickel Plated Brass	S32a
54-351	SPDT	(ON)	NONE	ON	Nickel Plated Brass	S32a
54-352	SPDT	(ON)	OFF	(ON)	Nickel Plated Brass	S32a
54-353	SPDT	ON	OFF	(ON)	Nickel Plated Brass	S32a
54-354	SPST	ON	NONE	OFF	Nickel Plated Brass	S32c
54-355	SPDT	ON	NONE	ON	Nickel Plated Brass	S32c
54-356	SPDT	ON	OFF	ON	Nickel Plated Brass	S32c
54-357	SPDT	(ON)	NONE	ON	Nickel Plated Brass	S32c
54-358	SPDT	(ON)	OFF	(ON)	Nickel Plated Brass	S32c
54-359	SPDT	ON	OFF	(ON)	Nickel Plated Brass	S32c

SPECIAL NOTE: ( ) = Momentary Function

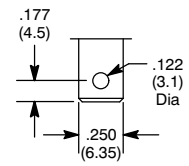
# Bat Handle Toggle, Single & Double Pole



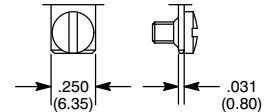
**S33**



**a: Solder Lug/Quick Connect**



**c: Screw (Assembled)**



NTE Type No.	Circuitry	Action			Actuator	Diag No.
54-360	DPDT	ON	NONE	ON	Nickel Plated Brass	S33a
54-361	DPDT	ON	OFF	ON	Nickel Plated Brass	S33a
54-362*	SP3T	ON	ON	ON	Nickel Plated Brass	S33a
54-363	DPDT	(ON)	NONE	ON	Nickel Plated Brass	S33a
54-364	DPDT	(ON)	OFF	(ON)	Nickel Plated Brass	S33a
54-365	DPDT	ON	OFF	(ON)	Nickel Plated Brass	S33a
54-366	DPST	ON	NONE	OFF	Nickel Plated Brass	S33a
54-367	DPST	ON	NONE	OFF	Nickel Plated Brass	S33c
54-369	DPDT	ON	NONE	ON	Nickel Plated Brass	S33c
54-370	DPDT	ON	OFF	ON	Nickel Plated Brass	S33c
54-371*	SP3T	ON	ON	ON	Nickel Plated Brass	S33c
54-372	DPDT	(ON)	NONE	ON	Nickel Plated Brass	S33c
54-373	DPDT	(ON)	OFF	(ON)	Nickel Plated Brass	S33c
54-374	DPDT	ON	OFF	(ON)	Nickel Plated Brass	S33c

SPECIAL NOTE: ( ) = Momentary Function  
\* SP in DP case.

## Specifications

### Current Rating:

**Functions ON-OFF and ON-ON:** 15A 250VAC or 10A 24VDC

**Functions ON OFF ON:** 15A 250VAC

**Other Functions:** 15A 125VAC, 12A 250VAC or 5A 25VDC

**Insulation Resistance:** 1000 Megohms (min.) at 500VDC

**Dielectric Strength:** 2000V RMS (min.) between terminals

**Temperature Rating:** -4°F to +131°F (-20°C to +55°C)

**Electrical Life:** 10,000 cycles (min.) at full load

**Terminal Type:** Refer to Diag No. in Table

**Mounting Hole:** .480 (12.2)

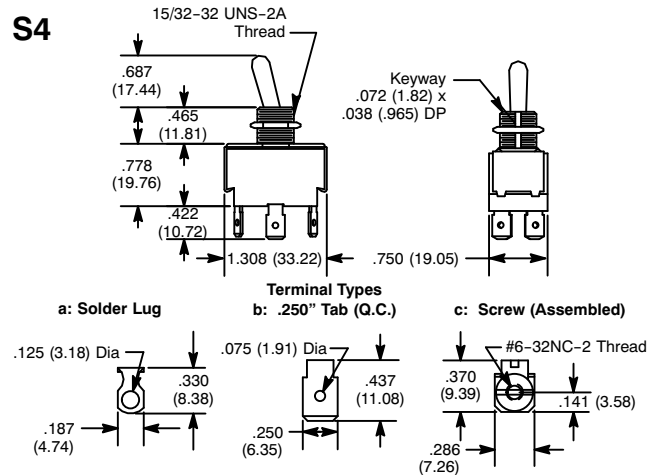
# Bat Handle Toggle, Single & Double Pole

## Features

- Slow Make, Slow Break Contacts
- Heavy Duty AC Rated Also Suitable for Low Voltage DC Applications
- Industry Standard .500" Dia Mounting Hole
- Various Terminal Selections



S4



## Specifications

### Current Rating:

- A:** 15A 125VAC, 10A 250VAC, 3/4 HP 125-250VAC
- B:** 20A 125-277VAC, 1 1/2 HP 125VAC, 2 HP 250VAC
- C:** 6A 125VAC, 3A 250VAC, 1/4HP 125-250VAC
- D:** 20A 250VAC

**Insulation Resistance:** 100 Megohms (min.)

**Dielectric Strength:** 1000V RMS (min.)

**Temperature Rating:** +32°F to +185°F (0°C to +85°C)

**Electrical Life:** 25,000 cycles

**Mechanical Life:** 100,000 cycles

**Terminal Type:** Refer to Diag No. in Table

**Mounting Hole:** .500 (12.7)

NTE Type No.	Circuitry	Current Rating	Action			Actuator	Diag No.
54-003	DPDT	A	ON	NONE	ON	Brass/Nickel Plate	S4b
54-004	DPST	A	ON	NONE	OFF	Brass/Nickel Plate	S4b
54-011	DPST	A	ON	NONE	OFF	Brass/Nickel Plate	S4c
54-012	DPDT	A	ON	OFF	ON	Brass/Nickel Plate	S4b
54-013	DPDT	A	ON	OFF	ON	Brass/Nickel Plate	S4c
54-093	SPST	B	ON	NONE	OFF	Brass/Nickel Plate	S4c
54-095	SPDT	B	ON	OFF	ON	Brass/Nickel Plate	S4c
54-099	DPDT	B	ON	NONE	ON	Brass/Nickel Plate	S4c
54-100	DPDT	B	ON	OFF	ON	Brass/Nickel Plate	S4c
54-101	DPDT	C	ON	NONE	(ON)	Brass/Nickel Plate	S4a
54-103	SPST	A	(ON)	NONE	OFF	Brass/Nickel Plate	S4c
54-104	SPST	A	ON	NONE	(OFF)	Brass/Nickel Plate	S4c
54-137*	SPST	D	ON	NONE	OFF	Brass/Nickel Plate	S4a

SPECIAL NOTE: ( ) = Momentary Function

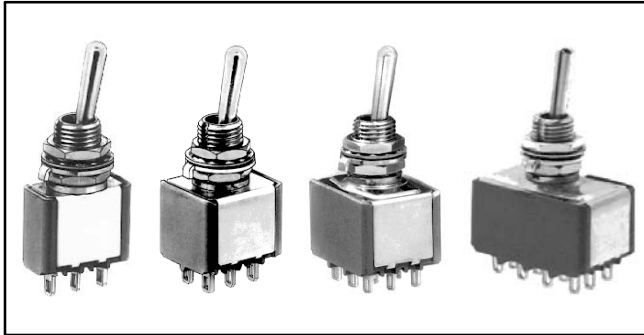
\* SP in DP case.

# Bat Handle Mini Toggle

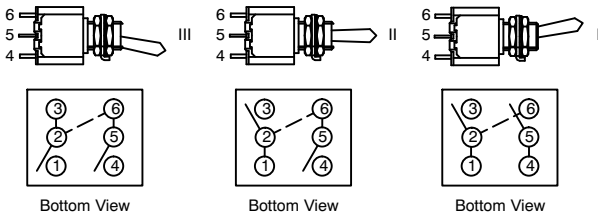


## Features

- SP, DP, 3P & 4P Types
- PC Terminal Types Available (PC suffix)
- Epoxy Sealed Terminals
- Typical Applications Include: Switching Power Supplies, DC-DC Converters, Motors, etc.

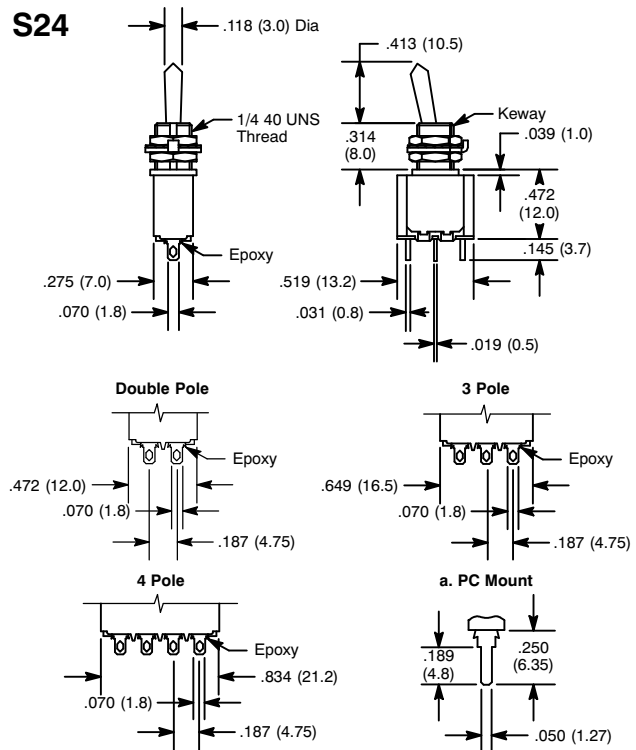


## Wiring Diagram (54-306 Only)



Equivalent to single pole 3 throw switch. Dotted line between terminals 2 & 6 indicate external jumpers to be added by customer.

## S24



## Specifications

- Current Rating:** 6A 125VAC, 3A 250VAC or 4A 30VDC  
5A 120VAC or 28VDC, 2A 250VAC **PC Mount Only**
- Insulation Resistance:** 1000 Megohms (min.) at 500VDC
- Dielectric Strength:** 1000V RMS (min.) between terminals
- Temperature Rating:** -40°F to +185°F (-40°C to +85°C)
- Electrical Life:** 50,000 cycles (min.)  
40,000 cycles (min.) **3 Pole Only**  
30,000 cycles (min.) **4 Pole Only**
- Terminal Type:** Refer to Diag No. in Table
- Mounting Hole:** .255 (6.5)

	NTE Type No.	Circuitry	Action			Actuator	Diag No.
	54-301	SPDT	ON	NONE	(ON)	Chrome Plated Brass	S24
<b>NEW</b>	54-301PC	SPDT	ON	NONE	(ON)	Chrome Plated Brass	S24a
	54-302	SPDT	ON	NONE	ON	Chrome Plated Brass	S24
<b>NEW</b>	54-302PC	SPDT	ON	NONE	ON	Chrome Plated Brass	S24a
	54-303	SPDT	ON	OFF	ON	Chrome Plated Brass	S24
<b>NEW</b>	54-303PC	SPDT	ON	OFF	ON	Chrome Plated Brass	S24a
	54-304	SPDT	ON	OFF	(ON)	Chrome Plated Brass	S24
<b>NEW</b>	54-304PC	SPDT	ON	OFF	(ON)	Chrome Plated Brass	S24a
	54-305	SPDT	(ON)	OFF	(ON)	Chrome Plated Brass	S24
<b>NEW</b>	54-305PC	SPDT	(ON)	OFF	(ON)	Chrome Plated Brass	S24a
	54-306*	SP3T	ON	ON	ON	Chrome Plated Brass	S24
	54-307	DPDT	ON	NONE	ON	Chrome Plated Brass	S24
<b>NEW</b>	54-307PC	DPDT	ON	NONE	ON	Chrome Plated Brass	S24a
	54-308	DPDT	ON	OFF	ON	Chrome Plated Brass	S24
<b>NEW</b>	54-308PC	DPDT	ON	OFF	ON	Chrome Plated Brass	S24a
	54-309	DPDT	ON	NONE	(ON)	Chrome Plated Brass	S24
<b>NEW</b>	54-309PC	DPDT	ON	NONE	(ON)	Chrome Plated Brass	S24a
	54-310	DPDT	ON	OFF	(ON)	Chrome Plated Brass	S24
<b>NEW</b>	54-310PC	DPDT	ON	OFF	(ON)	Chrome Plated Brass	S24a
	54-311	DPDT	(ON)	OFF	(ON)	Chrome Plated Brass	S24
<b>NEW</b>	54-311PC	DPDT	(ON)	OFF	(ON)	Chrome Plated Brass	S24a
	54-312	4PDT	ON	NONE	ON	Chrome Plated Brass	S24
<b>NEW</b>	54-312PC	4PDT	ON	NONE	ON	Chrome Plated Brass	S24a
	54-313	4PDT	ON	OFF	ON	Chrome Plated Brass	S24
<b>NEW</b>	54-313PC	4PDT	ON	OFF	ON	Chrome Plated Brass	S24a
	54-314	4PDT	(ON)	OFF	(ON)	Chrome Plated Brass	S24
	54-315	4PDT	ON	OFF	(ON)	Chrome Plated Brass	S24
	54-316	4PDT	ON	NONE	(ON)	Chrome Plated Brass	S24
<b>NEW</b>	54-316PC	4PDT	ON	NONE	(ON)	Chrome Plated Brass	S24a
	54-323	3PDT	ON	NONE	ON	Chrome Plated Brass	S24
<b>NEW</b>	54-323PC	3PDT	ON	NONE	ON	Chrome Plated Brass	S24a
	54-324	3PDT	ON	OFF	ON	Chrome Plated Brass	S24
<b>NEW</b>	54-324PC	3PDT	ON	OFF	ON	Chrome Plated Brass	S24a
	54-325	3PDT	(ON)	OFF	(ON)	Chrome Plated Brass	S24
	54-326	3PDT	ON	OFF	(ON)	Chrome Plated Brass	S24
	54-327	3PDT	ON	NONE	(ON)	Chrome Plated Brass	S24
<b>NEW</b>	54-327PC	3PDT	ON	NONE	(ON)	Chrome Plated Brass	S24a

SPECIAL NOTE: ( ) = Momentary Function  
\* SP in DP case.



# Bat Handle Subminiature Toggle

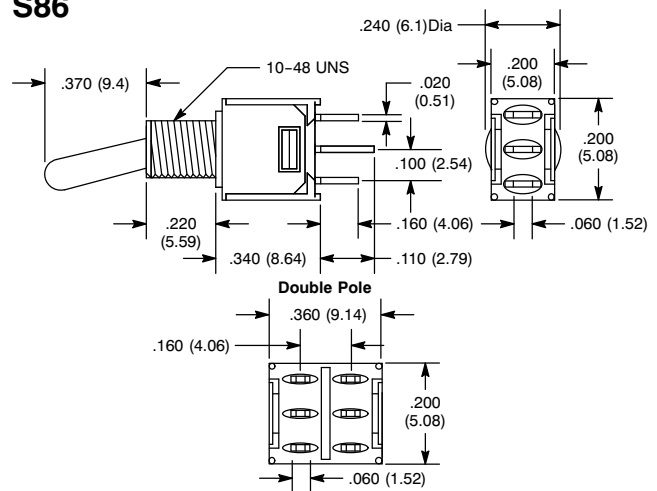


## Features

- Single and Double Pole Types
- Epoxy Sealed Terminals



## S86



## Specifications

**Current Rating:** 3A 120VAC or 28VDC, 1.5A 250VAC  
**Insulation Resistance:** 1000 Megohms (min.)  
**Dielectric Strength:** 1500V RMS (min.)  
**Temperature Rating:** -22°F to +185°F (-30°C to +85°C)  
**Electrical Life:** 30,000 cycles (min.)  
**Terminal Type:** Solder Lug  
**Mounting Hole:** .192 (4.9)

NTE Type No.	Circuitry	Action			Actuator	Diag No.
NEW 54-140	SPST	ON	NONE	OFF	Chrome Plated Brass	S86
NEW 54-141	SPDT	ON	NONE	ON	Chrome Plated Brass	S86
NEW 54-142	DPDT	ON	NONE	ON	Chrome Plated Brass	S86

SPECIAL NOTE: ( ) = Momentary Function

# Bat Handle Subminiature Toggle, Single Pole

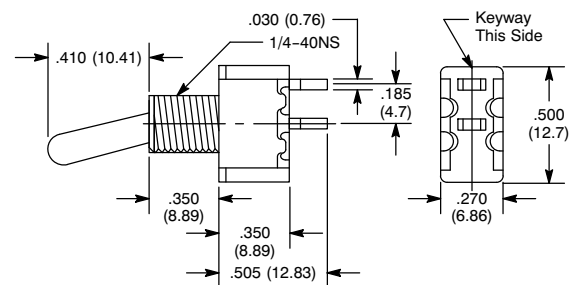


## Features

- Epoxy Sealed Terminals



## S95



## Specifications

**Current Rating:** 5A 120VAC or 28VDC, 2A 250VAC  
**Insulation Resistance:** 1000 Megohms (min.)  
**Dielectric Strength:** 1000V RMS (min.)  
**Temperature Rating:** -22°F to +266°F (-30°C to +130°C)  
**Electrical Life:** 50,000 cycles (min.)  
**Terminal Type:** Solder Lug  
**Mounting Hole:** .250 (6.35)

NTE Type No.	Circuitry	Action			Actuator	Diag No.
NEW 54-395	SPST	ON	NONE	OFF	Chrome Plated Brass	S95

# Flatted Handle Mini Toggle



## Features

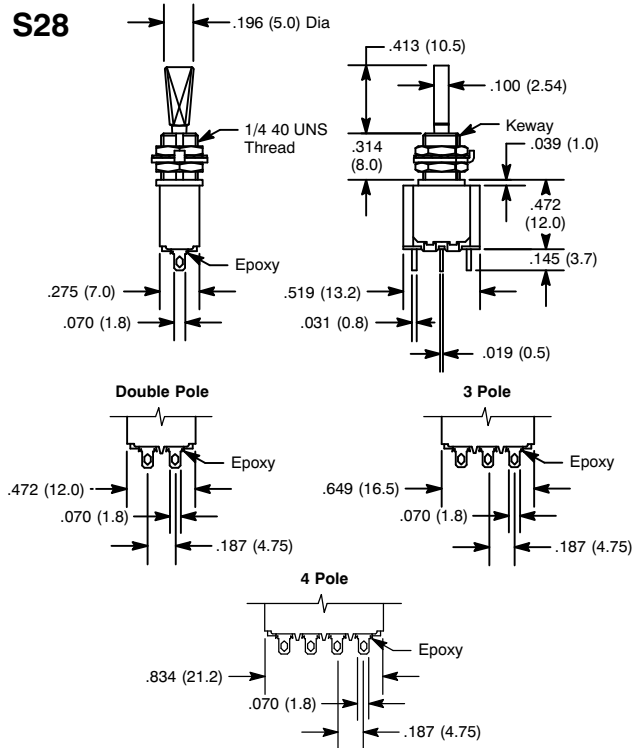
- SP, DP, 3P & 4P Types
- Epoxy Sealed Terminals
- Typical Applications Include: Switching Power Supplies, DC-DC Converters, Motors, etc.



NTE Type No.	Circuitry	Action			Actuator	Diag No.
54-328	SPDT	ON	NONE	ON	Chrome Plated Brass	S28
54-329	SPDT	ON	OFF	ON	Chrome Plated Brass	S28
54-330	SPDT	(ON)	OFF	(ON)	Chrome Plated Brass	S28
54-331	SPDT	ON	OFF	(ON)	Chrome Plated Brass	S28
54-332	SPDT	ON	NONE	(ON)	Chrome Plated Brass	S28
54-333	DPDT	ON	NONE	ON	Chrome Plated Brass	S28
54-334	DPDT	ON	OFF	ON	Chrome Plated Brass	S28
54-335	DPDT	(ON)	OFF	(ON)	Chrome Plated Brass	S28
54-336	DPDT	ON	OFF	(ON)	Chrome Plated Brass	S28
54-337	DPDT	ON	NONE	(ON)	Chrome Plated Brass	S28
54-338	3PDT	ON	NONE	ON	Chrome Plated Brass	S28
54-339	3PDT	ON	OFF	ON	Chrome Plated Brass	S28
54-340	3PDT	(ON)	OFF	(ON)	Chrome Plated Brass	S28
54-341	3PDT	ON	OFF	(ON)	Chrome Plated Brass	S28
54-342	3PDT	ON	NONE	(ON)	Chrome Plated Brass	S28
54-343	4PDT	ON	NONE	ON	Chrome Plated Brass	S28
54-344	4PDT	ON	OFF	ON	Chrome Plated Brass	S28
54-345	4PDT	(ON)	OFF	(ON)	Chrome Plated Brass	S28
54-346	4PDT	ON	OFF	(ON)	Chrome Plated Brass	S28
54-347	4PDT	ON	NONE	(ON)	Chrome Plated Brass	S28

SPECIAL NOTE: ( ) = Momentary Function

S28



## Specifications

**Current Rating:** 6A 125VAC, 3A 250VAC or 4A 30VDC  
**Insulation Resistance:** 1000 Megohms (min.) at 500VDC  
**Dielectric Strength:** 1000V RMS (min.) between terminals  
**Temperature Rating:** -40°F to +185°F (-40°C to +85°C)  
**Electrical Life:** 50,000 cycles (min.)  
 40,000 cycles (min.) **3 Pole Only**  
 30,000 cycles (min.) **4 Pole Only**  
**Terminal Type:** Solder Lug  
**Mounting Hole:** .255 (6.5)

# Nylon Paddle Toggle, Single Pole



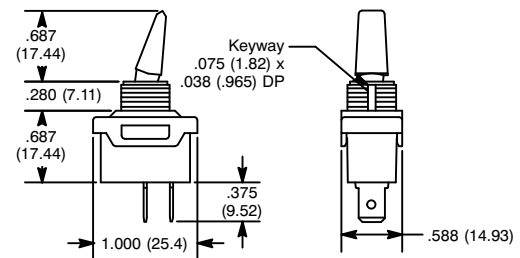
## Features

- Nylon Insulated Toggle
- Self-Cleaning Wiping Contacts
- Industry Standard .500" Dia Mounting Hole
- Support Double Insulated Requirements



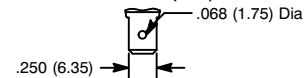
NTE Type No.	Circuitry	Action			Actuator	Diag No.
54-020	SPST	OFF	NONE	ON	Black Nylon	S6b
54-021	SPDT	ON	NONE	ON	Black Nylon	S6b
54-022	SPDT	ON	OFF	ON	Black Nylon	S6b

S6



Terminal Types

b: .250" Tab (Q.C.)



## Specifications

**Current Rating:** 20A 125VAC, 10A 250VAC, 1 1/2 HP 125-250VAC  
**Insulation Resistance:** 100 Megohms (min.)  
**Dielectric Strength:** 1000V RMS (min.)  
**Temperature Rating:** +32°F to +185°F (0°C to +85°C)  
**Electrical Life:** 25,000 cycles  
**Mechanical Life:** 100,000 cycles  
**Terminal Type:** .250" Tab Q.C.  
**Mounting Hole:** .500 (12.7)

# Nylon Paddle Toggle, Single & Double Pole



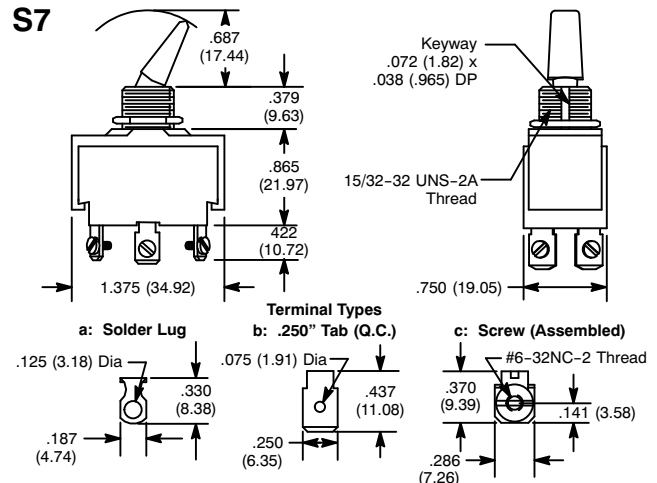
## Features

- Slow Make, Slow Break Contacts
- Heavy Duty AC Rated Also Suitable for Low Voltage DC Applications
- Industry Standard .500" Dia Mounting Hole



NTE Type No.	Circuitry	Action			Actuator	Diag No.
54-084	DPDT	ON	NONE	ON	Black Polycarbonate	S7a
54-085	DPDT	ON	OFF	ON	Black Polycarbonate	S7a
54-107	DPST	ON	NONE	OFF	Black Polycarbonate	S7b
54-108	DPDT	ON	NONE	ON	Black Polycarbonate	S7b
54-109	DPDT	ON	OFF	ON	Black Polycarbonate	S7b
54-110	SPST	ON	NONE	OFF	Black Polycarbonate	S7c
54-111	SPDT	ON	NONE	ON	Black Polycarbonate	S7c
54-112	DPST	ON	NONE	OFF	Black Polycarbonate	S7c
54-113	DPDT	ON	NONE	ON	Black Polycarbonate	S7c
54-119	SPDT	ON	OFF	ON	Black Polycarbonate	S7b
54-120	DPDT	ON	OFF	ON	Black Polycarbonate	S7c

S7



## Specifications

**Current Rating:**  
**54-084 & 54-085:** 6A 125VAC, 3A 250VAC, 1/4 HP 125-250VAC  
**All Other Devices:** 20A 125-277VAC, 1 1/2 HP 125VAC, 2 HP 250VAC  
**Insulation Resistance:** 100 Megohms (min.)  
**Dielectric Strength:** 1000V RMS (min.)  
**Temperature Rating:** +32°F to +185°F (0°C to +85°C)  
**Electrical Life:** 50,000 cycles  
**Mechanical Life:** 100,000 cycles  
**Terminal Type:** Refer to Diag No. in Table  
**Mounting Hole:** .500 (12.7)

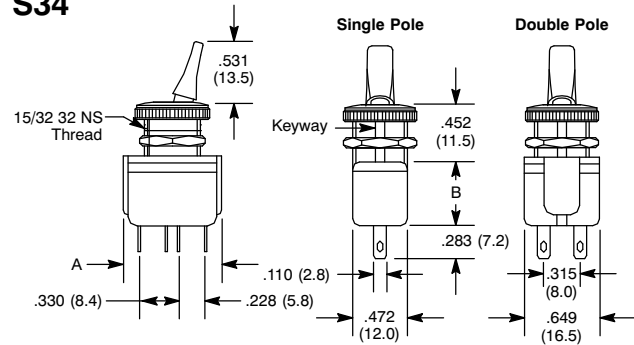
# Nylon Paddle Toggle, Single & Double Pole

## Features

- Quick Connect Terminals
- Insulated Actuator



S34



Device Type	A	B
Single Pole	.748 (19.0)	.551 (14.0)
Double Pole	.826 (21.0)	.590 (15.0)

NTE Type No.	Circuitry	Action			Actuator	Diag No.
54-317	SPDT	ON	NONE	ON	Black Polyamide 6-6	S34
54-318	SPDT	ON	OFF	ON	Black Polyamide 6-6	S34
54-319	SPST	ON	NONE	OFF	Black Polyamide 6-6	S34
54-320	DPST	ON	NONE	OFF	Black Polyamide 6-6	S34
54-321	DPDT	ON	NONE	ON	Black Polyamide 6-6	S34
54-322	DPDT	ON	OFF	ON	Black Polyamide 6-6	S34

## Specifications

**Current Rating:** 6A 125VAC, 4A 250VAC  
**Insulation Resistance:** 1000 Megohms (min.) at 500VDC  
**Dielectric Strength:** 2000V RMS (min.) between terminals  
**Temperature Rating:** -4°F to +131°F (-20°C to +55°C)  
**Electrical Life:** 10,000 cycles (min.)  
**Terminal Type:** Solder Lug/Quick Connect  
**Mounting Hole:** .492 (12.5)

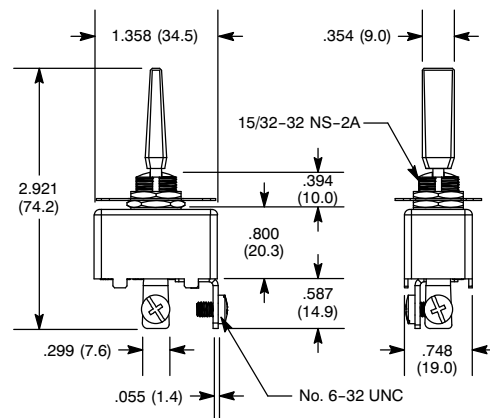
# Paddle Handle Toggle, Single Pole

## Features

- 50 Amps at 12VDC
- Suitable for Low Voltage, High Amperage Applications
- Screw Terminals



S26



## Specifications

**Current Rating:** 50A 12VDC  
**Insulation Resistance:** 100 Megohms (min.) at 500VDC  
**Dielectric Strength:** 1500V RMS (min.)  
**Temperature Rating:** -4°F to +180°F (-20°C to +85°C)  
**Electrical Life:** 25,000 cycles  
**Mechanical Life:** 100,000 cycles  
**Terminal Type:** Screw Type  
**Mounting Hole:** .500 (12.7)

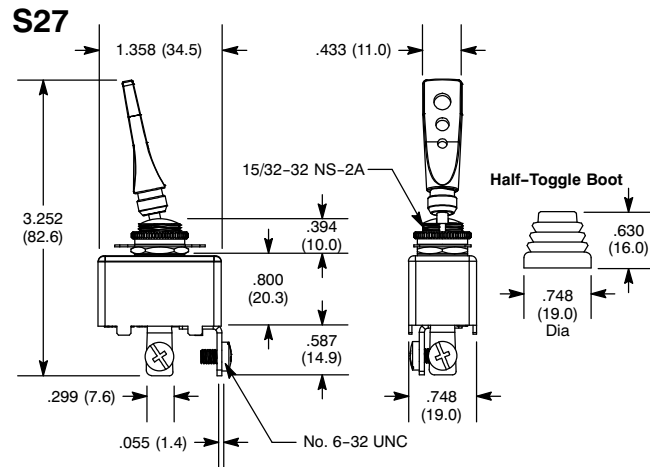
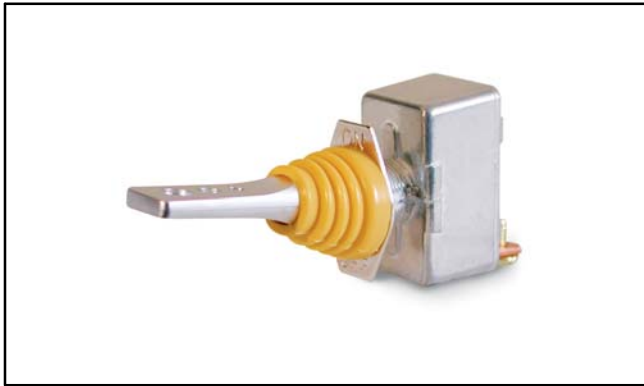
NTE Type No.	Circuitry	Action			Actuator		Diag No.
					Material	Color	
NEW 54-560	SPST	ON	NONE	OFF	ABS	Black	S26
NEW 54-561	SPST	ON	NONE	OFF		Red	S26
NEW 54-562	SPST	ON	NONE	OFF	ABS w/Chrome Plating	Chrome	S26

# Paddle Handle Toggle, Single Pole



## Features

- 50 Amps at 12VDC
- Interchangeable Boots (Red, Black, Yellow and Blue) Included
- Screw Terminals



## Specifications

**Current Rating:** 50A 12VDC  
**Insulation Resistance:** 100 Megohms (min.) at 500VDC  
**Dielectric Strength:** 1500V RMS (min.)  
**Temperature Rating:** -4°F to +180°F (-20°C to +85°C)  
**Electrical Life:** 25,000 cycles  
**Mechanical Life:** 100,000 cycles  
**Terminal Type:** Screw Type  
**Mounting Hole:** .500 (12.7)

NTE Type No.	Circuitry	Action	Actuator	Diag No.
54-563	SPST	ON NONE OFF	Chrome Plated	S27

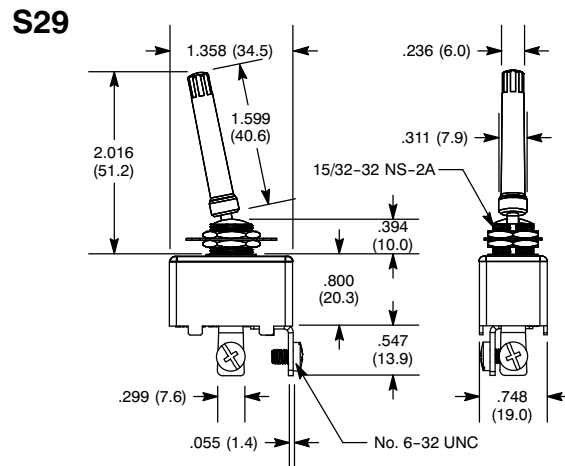
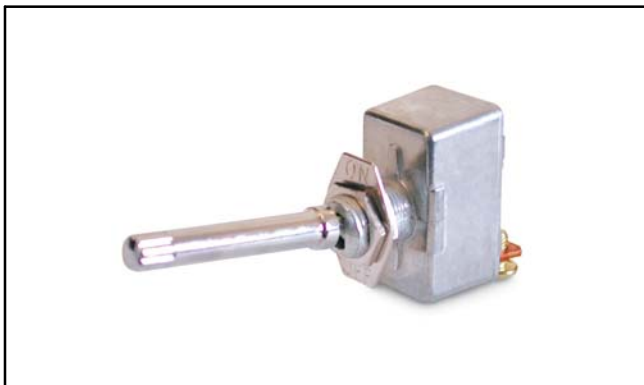
NEW

# Bat Handle Toggle, Single Pole



## Features

- 50 Amps at 12VDC
- 1 5/8" Long Bat Handle
- Screw Terminals



## Specifications

**Current Rating:** 50A 12VDC  
**Insulation Resistance:** 100 Megohms (min.) at 500VDC  
**Dielectric Strength:** 1500V RMS (min.)  
**Temperature Rating:** -4°F to +180°F (-20°C to +85°C)  
**Electrical Life:** 25,000 cycles  
**Mechanical Life:** 100,000 cycles  
**Terminal Type:** Screw Type  
**Mounting Hole:** .500 (12.7)

NTE Type No.	Circuitry	Action	Actuator	Diag No.
54-564	SPST	ON NONE OFF	Chrome Plated	S29

NEW

# Paddle Toggle, Single Pole

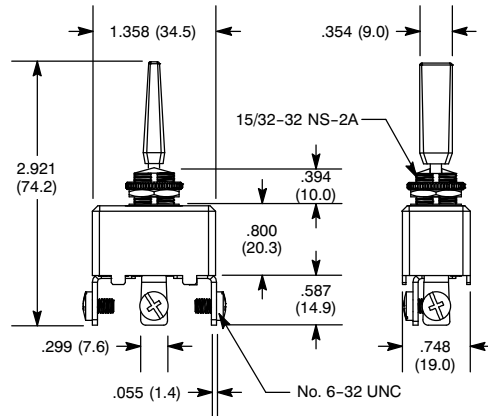


## Features

- 50 Amps at 12VDC
- Screw Terminals



S30



NTE Type No.	Circuitry	Action			Actuator	Diag No.
54-565	SPDT	ON	OFF	ON	Chrome Plated	S29

NEW

## Specifications

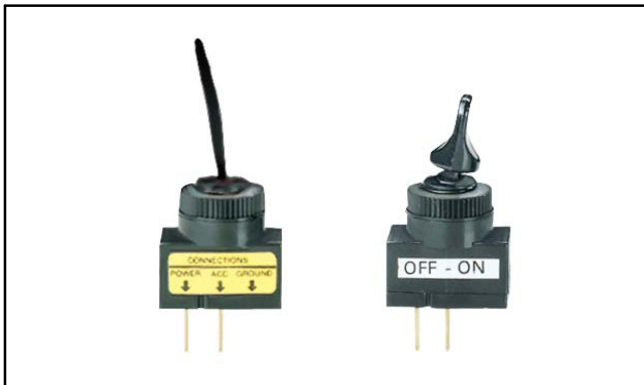
**Current Rating:** 50A 12VDC  
**Insulation Resistance:** 100 Megohms (min.) at 500VDC  
**Dielectric Strength:** 1500V RMS (min.)  
**Temperature Rating:** -4°F to +180°F (-20°C to +85°C)  
**Electrical Life:** 25,000 cycles  
**Mechanical Life:** 100,000 cycles  
**Terminal Type:** Screw Type  
**Mounting Hole:** .500 (12.7)

# On/Off Toggle, Non-Illuminated, Single Pole

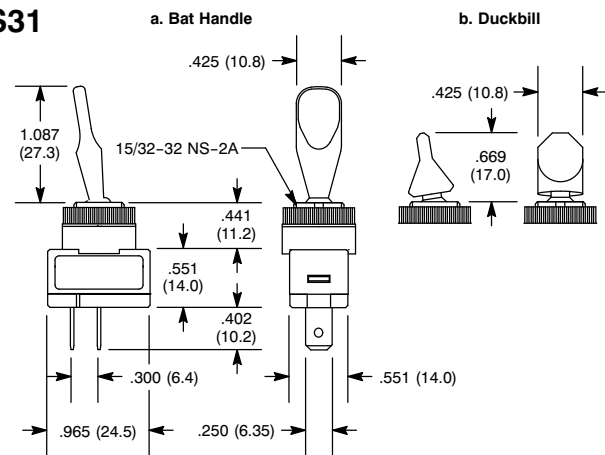


## Features

- Bat Handle (54-566) and Duckbill (54-571) Types
- .250" Quick-Connect Terminals



S31



NTE Type No.	Circuitry	Action			Actuator	Diag No.
54-566	SPST	ON	NONE	OFF	Black Brushed Aluminum	S31a
54-571	SPST	ON	NONE	OFF		S31b

NEW

NEW

## Specifications

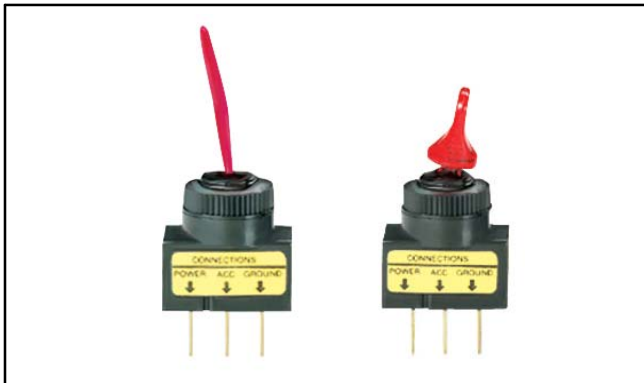
**Current Rating:** 20A 12VDC  
**Insulation Resistance:** 100 Megohms (min.) at 500VDC  
**Dielectric Strength:** 1000V RMS (min.)  
**Temperature Rating:** -4°F to +180°F (-20°C to +85°C)  
**Electrical Life:** 25,000 cycles  
**Mechanical Life:** 100,000 cycles  
**Terminal Type:** .250" Tab Q.C.  
**Mounting Hole:** .500 (12.7)

# Illuminated On/Off Toggle, Single Pole

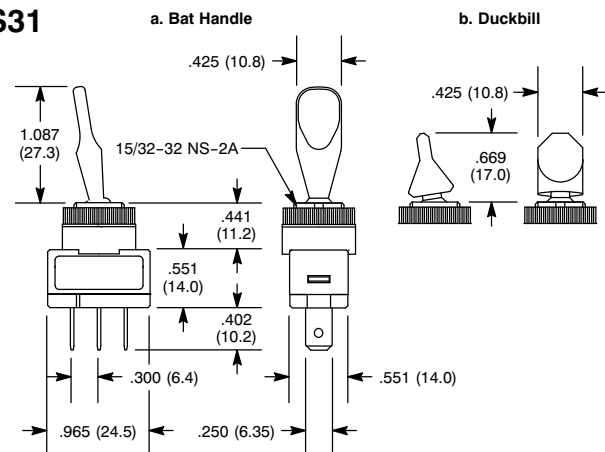


## Features

- Bat Handle and Duckbill Types
- .250" Quick-Connect Terminals



## S31



## Specifications

**Current Rating:** 20A 12VDC  
**Lens Color:** See Table  
**Lamp Voltage:** 12V Neon  
**Insulation Resistance:** 100 Megohms (min.) at 500VDC  
**Dielectric Strength:** 1000V RMS (min.)  
**Temperature Rating:** -4°F to +180°F (-20°C to +85°C)  
**Electrical Life:** 25,000 cycles  
**Mechanical Life:** 100,000 cycles  
**Terminal Type:** .250" Tab Q.C.  
**Mounting Hole:** .500 (12.7)

NEW	NTE Type No.	Circuitry	Action			Actuator		Diag No.
						Material	Color	
NEW	54-567	SPST	ON	NONE	OFF	PC (S-2000R Mitsubishe)	Red	S31a
NEW	54-568	SPST	ON	NONE	OFF		Green	S31a
NEW	54-569	SPST	ON	NONE	OFF		Amber	S31a
NEW	54-570	SPST	ON	NONE	OFF		Blue	S31a
NEW	54-572	SPST	ON	NONE	OFF		Red	S31b
NEW	54-573	SPST	ON	NONE	OFF		Amber	S31b
NEW	54-574	SPST	ON	NONE	OFF		Blue	S31b
NEW	54-575	SPST	ON	NONE	OFF		Green	S31b

# Bat Handle Toggle, Single & Double Pole

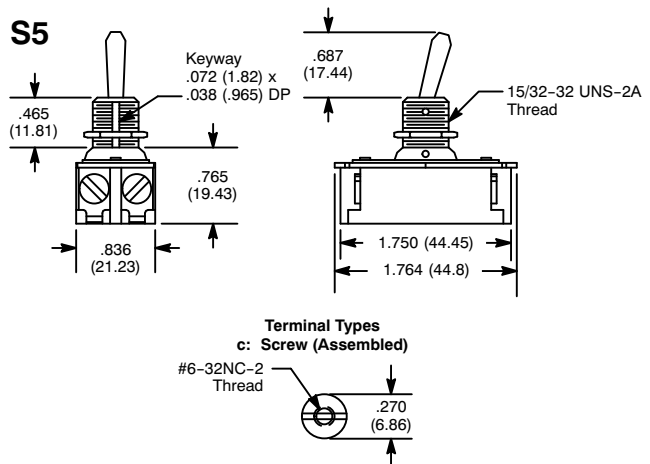


## Features

- Quick Make, Quick Break Contacts
- Suitable for High Amperage AC/DC Motor Control
- Screw Terminals



## S5



## Specifications

**Current Rating:** 16A 125VAC, 8A 250VAC, 1 HP 125-250VAC  
**Insulation Resistance:** 100 Megohms (min.)  
**Dielectric Strength:** 1000V RMS (min.)  
**Temperature Rating:** 0°F to +150°F (-17.8°C to +65.6°C)  
**Electrical Life:** 25,000 cycles  
**Mechanical Life:** 100,000 cycles  
**Terminal Type:** Screw Type  
**Mounting Hole:** .500 (12.7)

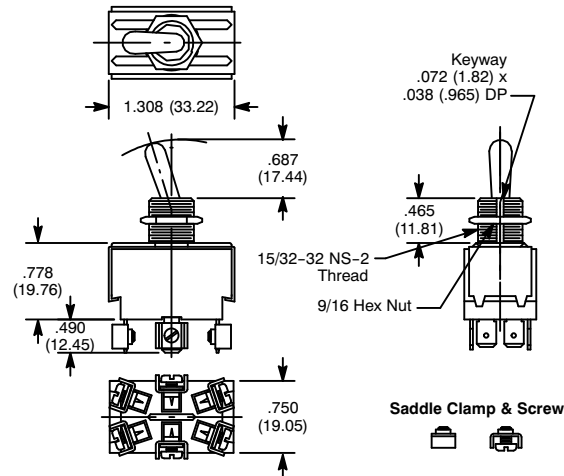
NTE Type No.	Circuitry	Action			Actuator	Diag No.
54-055	DPST	ON	NONE	OFF	Brass/Nickel Plate	S5c
54-056	SPST	ON	NONE	OFF	Brass/Nickel Plate	S5c

# Bat Handle Toggle, Double Pole



NTE Type No.	Circuitry	Action			Actuator	Diag No.
54-026	DPST	ON	NONE	OFF	Brass/Nickel Plate	S8
54-027	DPDT	ON	NONE	ON	Brass/Nickel Plate	S8
54-028	DPDT	ON	OFF	ON	Brass/Nickel Plate	S8

S8



## Specifications

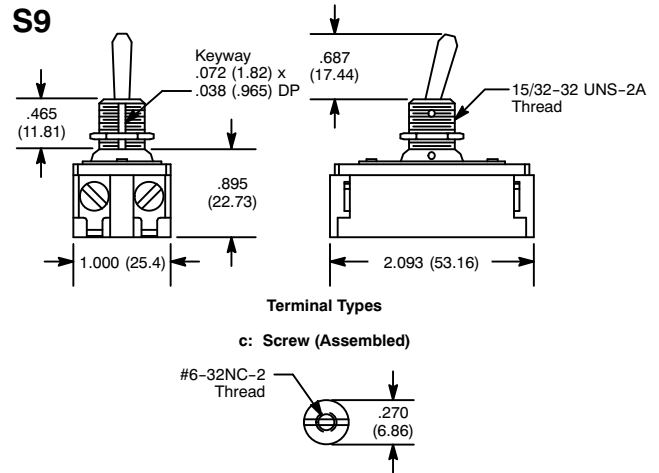
**Current Rating:** 15A 125VAC, 10A 250VAC, 3/4 HP 125-250VAC  
**Insulation Resistance:** 100 Megohms (min.)  
**Dielectric Strength:** 1000V RMS (min.)  
**Temperature Rating:** +32°F to +185°F (0°C to +85°C)  
**Electrical Life:** 50,000 cycles  
**Mechanical Life:** 100,000 cycles  
**Terminal Type:** "3-in-1" Combi-Terminal  
**Mounting Hole:** .500 (12.7)

# Bat Handle Toggle, Double Pole



NTE Type No.	Circuitry	Action			Actuator	Diag No.
54-057	DPST	ON	NONE	OFF	Brass/Nickel Plate	S9

S9



## Specifications

**Current Rating:** 20A 125VAC, 10A 250VAC, 1 1/2 HP 125-250VAC  
**Insulation Resistance:** 100 Megohms (min.)  
**Dielectric Strength:** 1000V RMS (min.)  
**Temperature Rating:** 0°F to +150°F (-17.8°C to +65.6°C)  
**Electrical Life:** 25,000 cycles  
**Mechanical Life:** 100,000 cycles  
**Terminal Type:** Screw Type  
**Mounting Hole:** .500 (12.7)

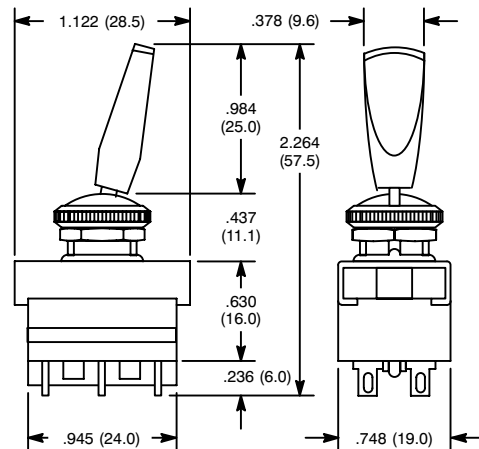


# Paddle Toggle, Double Pole



NTE Type No.	Circuitry	Action			Actuator	Diag No.
54-381	DPDT	ON	OFF	ON	Black ABS Resin	S69

S69



## Specifications

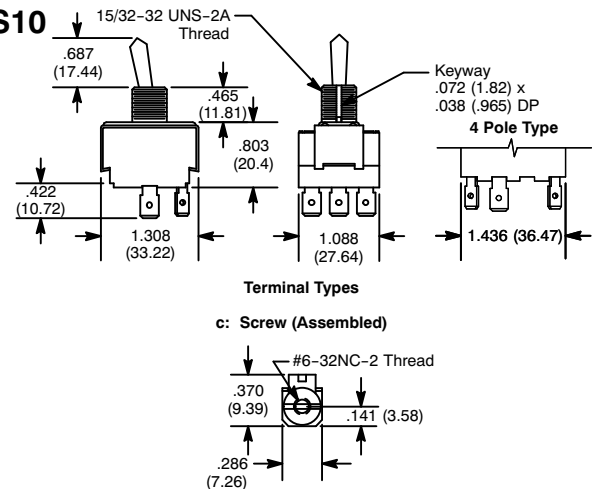
**Current Rating:** 6A 250VAC  
**Insulation Resistance:** 100 Megohms (min.) at 500VDC  
**Dielectric Strength:** 1500V RMS (min.)  
**Temperature Rating:** +14°F to +131°F (-10°C to +55°C)  
**Electrical Life:** 6,000 cycles  
**Mechanical Life:** 30,000 cycles  
**Terminal Type:** Solder Lug  
**Mounting Hole:** .472 (12.0)

# Bat Handle Toggle, 3 Pole & 4 Pole



NTE Type No.	Circuitry	Action			Actuator	Diag No.
54-014	3PST	OFF	NONE	ON	Brass/Nickel Plate	S10c
54-015	3PDT	ON	OFF	ON	Brass/Nickel Plate	S10c
54-016	3PDT	ON	NONE	ON	Brass/Nickel Plate	S10c
54-017	4PDT	ON	OFF	ON	Brass/Nickel Plate	S10c
54-018	4PST	OFF	NONE	ON	Brass/Nickel Plate	S10c
54-019	4PDT	ON	NONE	ON	Brass/Nickel Plate	S10c

S10



## Specifications

**Current Rating:** 15A 125VAC, 10A 250VAC, 3/4 HP 125-250VAC, 1, 2 or 3 Phase  
**Insulation Resistance:** 100 Megohms (min.)  
**Dielectric Strength:** 1000V RMS (min.)  
**Temperature Rating:** 0°F to +150°F (-17.8°C to +65.6°C)  
**Electrical Life:** 50,000 cycles  
**Mechanical Life:** 100,000 cycles  
**Terminal Type:** Screw Type  
**Mounting Hole:** .500 (12.7)