

# HSDL-3211

## IrDA® Data Compliant Low Power 1.15 Mbit/s Infrared Transceiver



### Data Sheet



#### Description

The HSDL-3211 is a new generation low profile high speed infrared transceiver module that provides interface between logic and IR signals for through-air, serial, half-duplex IR data-link. The module is fully compliant to IrDA Physical Layer specification version 1.4 low power from 9.6kbit/s to 1.152 Mbit/s (MIR) and is IEC825-Class 1 Eye Safe.

The HSDL-3211 can be shutdown completely to achieve very low power consumption. In the shutdown mode, the PIN diode will be inactive and thus producing very little photocurrent even under very bright ambient light. It is also designed to interface to input/output logic circuits as low as 1.8V. These features are ideal for mobile devices that require low power consumption.

#### Features

- Fully compliant to IrDA 1.4 physical layer low power specification from 9.6 kbit/s to 1.152 Mbit/s (MIR)
- Miniature package
  - Height: 2.5 mm
  - Width: 8.0 mm
  - Depth: 3.0 mm
- No data rate switching required
- Typical link distance > 50 cm
- Guaranteed temperature performance, -25° to 85°C
  - Critical parameters are guaranteed over temperature and supply voltage
- Low power consumption
  - Low shutdown current (1 nA typical)
  - Complete shutdown of TXD, RXD, and PIN diode
- Withstands >100 mV<sub>p-p</sub> power supply ripple typically
- Excellent EMI performance
- Vcc supply 2.4 to 3.6 Volts
- Interfacing with I/O logic circuits as low as 1.8 V
- Lead-free package
- LED stuck-high protection
- Designed to accommodate light loss with cosmetic windows
- IEC 825-class 1 eye safe

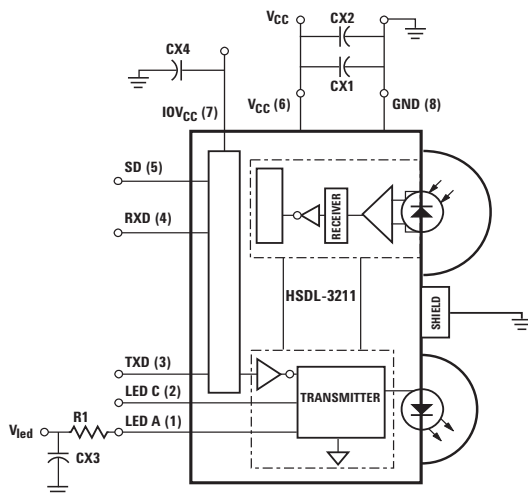


Figure 1. Functional block diagram of HSDL-3211.



Figure 2. Rear view diagram with pinout.

#### Applications

- Mobile telecom
  - Mobile phones
  - Smart phones
  - Pagers
- Data communication
  - Pocket PC handheld products
  - Personal digital assistants
  - Portable printers
- Digital imaging
  - Digital cameras
  - Photo-imaging printers
- Electronic wallet
- Small industrial & medical instrumentation
  - General data collection devices
  - Patient & pharmaceutical data collection devices

### Application Support Information

The Application Engineering Group is available to assist you with the application design

associated with the HSDL-3211 infrared transceiver module. You can contact them through your local sales representatives for additional details.

### Marking Information

The unit is marked with 'yyww' on the shield:

yy = year

ww = work week

### Order Information

Part Number	Packaging Type	Package	Quantity
HSDL-3211-021	Tape and Reel	Front View	2500

### I/O Pins Configuration Table

Pin	Symbol	Description	I/O Type	Notes
1	LED A	LED Anode	I	1
2	LED C	LED Cathode		2
3	TXD	Transmit Data. Active High.	I	3
4	RXD	Receive Data. Active Low.	O	4
5	SD	Shutdown. Active High.	I	5
6	Vcc	Supply Voltage		6
7	IOVcc	Input/Output ASIC Vcc		7
8	GND	Ground		8
-	Shield	EMI Shield		9

### Recommended Application Circuit Components

Component	Recommended Value	Notes
R1	3.9Ω ± 5%, 0.25 watt for 2.4 ≤ Vled < 2.7V 5.6Ω ± 5%, 0.25 watt for 2.7 ≤ Vled < 3.3V 10Ω ± 5%, 0.25 watt for 3.3 ≤ Vled < 4.2V 15Ω ± 5%, 0.25 watt for 4.2 ≤ Vled < 5.5V	
CX1, CX4	0.47 μF ± 20%, X7R Ceramic	10
CX2, CX3	6.8 μF ± 20%, Tantalum	11

#### Notes:

1. Tied through external series resistor, R1, to regulated Vled from 2.4 to 5.5V. Please refer to table below for recommended series resistor value.
2. Internally connected to LED driver. Leave this pin unconnected.
3. This pin is used to transmit serial data when SD pin is low. If this pin is held high for longer than 50 ms, the LED is turned off. Do NOT float this pin.
4. This pin is capable of driving a standard CMOS or TTL load. No external pull-up or pull-down resistor is required. The pin is in tri-state when the transceiver is in shutdown mode. The receiver output echoes transmitted signal.
5. The transceiver is in shutdown mode if this pin is high. Do NOT float this pin.
6. Regulated, 2.4 to 3.6 Volts.
7. Connect to ASIC logic controller Vcc voltage or supply voltage. The voltage at this pin must be equal to or less than supply voltage.
8. Connect to system ground.
9. Connect to system ground via a low inductance trace. For best performance, do not connect directly to the transceiver pin GND
10. CX1 must be placed within 0.7 cm of the HSDL-3211 to obtain optimum noise immunity.
11. In environments with noisy power supplies, including CX2, as shown in Figure 1, can enhance supply ripple rejection performance.

**CAUTIONS:** The BiCMOS inherent to the design of this component increases the component's susceptibility to damage from electrostatic discharge (ESD). It is advised that normal static precautions be taken in handling and assembly of this component to prevent damage and/or degradation which may be induced by ESD.

### Absolute Maximum Ratings

For implementations where case to ambient thermal resistance is  $\leq 50^{\circ}\text{C}/\text{W}$ .

Parameter	Symbol	Min.	Max.	Units	Conditions
Storage Temperature	$T_S$	-40	+100	$^{\circ}\text{C}$	
Operating Temperature	$T_A$	-25	+85	$^{\circ}\text{C}$	
LED Anode Voltage	$V_{LEDA}$	0	6.5	V	
Supply Voltage	$V_{CC}$	0	6.5	V	
Input Voltage: TXD, SD/Mode	$V_I$	0	6.5	V	
Output Voltage: RXD	$V_O$	0	6.5	V	
DC LED Transmit Current	$I_{LED}$ (DC)		150	mA	
Average Transmit Current	$I_{LED}$ (PK)		600	mA	$\leq 90\ \mu\text{s}$ pulse width $\leq 25\%$ duty cycle

### Recommended Operating Conditions

Parameter	Symbol	Min.	Typ.	Max.	Units	Conditions
Operating Temperature	$T_A$	-25		+85	$^{\circ}\text{C}$	
Supply Voltage	$V_{CC}$	2.4		3.6	V	
Input/Output Voltage	$IOV_{CC}$	1.8		$V_{CC}$	V	
Logic Input Voltage for TXD, SD/Mode	Logic High	$V_{IH}$	$IOV_{CC} - 0.5$	$IOV_{CC}$	V	
	Logic Low	$V_{IL}$	0	0.4	V	
Receiver Input Irradiance	Logic High	$E_{IH, \min}$ $E_{IH, \max}$		0.0081 500	$\text{mW}/\text{cm}^2$ $\text{mW}/\text{cm}^2$	9.6kbit/s $\leq$ in-band signals $\leq 1.152$ Mbit/s <sup>[12]</sup>
	Logic Low	$E_{IL}$		0.3	$\mu\text{W}/\text{cm}^2$	For in-band signals <sup>[12]</sup>
LED (Logic High) Current Pulse Amplitude	$I_{LEDA}$		150		mA	
Receiver Data Rate		0.0096		1.152	Mbit/s	

**Note :**

12. An in-band optical signal is a pulse/sequence where the peak wavelength,  $\lambda_p$ , is defined as  $850 \leq \lambda_p \leq 900$  nm, and the pulse characteristics are compliant with the IrDA Serial Infrared Physical Layer Link Specification v1.4.

## Electrical & Optical Specifications

Specifications (Min. & Max. values) hold over the recommended operating conditions unless otherwise noted. Unspecified test conditions may be anywhere in their operating range. All typical values (Typ.) are at 25°C, V<sub>CC</sub> set to 3.0V and IOV<sub>CC</sub> set to 1.8V unless otherwise noted.

Parameter	Symbol	Min.	Typ.	Max.	Units	Conditions
<b>Receiver</b>						
Viewing Angle	2θ	30			°	
Peak Sensitivity Wavelength	λ <sub>p</sub>		880		nm	
RXD Output Voltage	Logic High	V <sub>OH</sub>	IOV <sub>CC</sub> - 0.2	IOV <sub>CC</sub>	V	I <sub>OH</sub> = -200 μA, EI ≤ 0.3 μW/cm <sup>2</sup>
	Logic Low	V <sub>OL</sub>	0	0.4	V	I <sub>OL</sub> = 200 μA, EI ≥ 8.1 μW/cm <sup>2</sup>
RXD Pulse Width (SIR) <sup>[13]</sup>	t <sub>PW</sub> (SIR)	1		4.0	μs	θ ≤ 15°, C <sub>L</sub> = 9 pF
RXD Pulse Width (MIR) <sup>[14]</sup>	t <sub>PW</sub> (MIR)	100		500	ns	θ ≤ 15°, C <sub>L</sub> = 9 pF
RXD Rise and Fall Times	t <sub>r</sub> , t <sub>f</sub>		25		ns	C <sub>L</sub> = 9 pF
Receiver Latency Time <sup>[15]</sup>	t <sub>L</sub>		25	50	μs	
Receiver Wake Up Time <sup>[16]</sup>	t <sub>W</sub>		50	100	μs	
<b>Transmitter</b>						
Radiant Intensity	IE <sub>H</sub>	10	45		mW/sr	I <sub>LEDA</sub> = 150 mA, θ ≤ 15°, V <sub>TXD</sub> ≥ V <sub>IH</sub> , V <sub>SD</sub> ≤ V <sub>IL</sub> , Ta = 25°C
Viewing Angle	2θ	30		60	°	
Peak Wavelength	λ <sub>p</sub>		875		nm	
Spectral Line Half Width	Δλ		35		nm	
TXD Input Current	High	I <sub>H</sub>	0.02	10	μA	V <sub>TXD</sub> ≥ V <sub>IH</sub>
	Low	I <sub>L</sub>	-10	-0.02	10	μA
LED ON Current	I <sub>LEDA</sub>		150		mA	V <sub>TXD</sub> ≥ V <sub>IH</sub> , R1 = 5.6ohm, V <sub>led</sub> = 3.0V
TXD Pulse Width (SIR)	t <sub>PW</sub> (SIR)	1.5	1.6	1.8	μs	t <sub>PW</sub> (TXD) = 1.6 μs at 115.2 kbit/s
TXD Pulse Width (MIR)	t <sub>PW</sub> (MIR)	148	217	260	ns	t <sub>PW</sub> (TXD) = 217 ns at 1.152 Mbit/s
Maximum Optical PW <sup>[17]</sup>	t <sub>PW(max.)</sub>		50	100	μs	
TXD Rise and fall Time (Optical)	t <sub>r</sub> , t <sub>f</sub>			40	ns	t <sub>PW</sub> (TXD) = ns at 1.152 Mbit/s
LED Anode On-State Voltage	V <sub>ON(LEDA)</sub>		1.6	2.0	V	I <sub>LEDA</sub> = 150 mA, V <sub>TXD</sub> ≥ V <sub>IH</sub>
<b>Transceiver</b>						
Supply Current	Shutdown	I <sub>CC1</sub>	0.001	1	μA	V <sub>SD</sub> ≥ V <sub>IH</sub> , Ta = 25 °C
	Idle	I <sub>CC2</sub>	0.4	1.0	mA	V <sub>SD</sub> ≤ V <sub>IL</sub> , V <sub>TXD</sub> ≤ V <sub>IL</sub> , EI = 0

### Notes:

- For in-band signals from 9.6 kbit/s to 115.2 kbit/s, where 9 μW/cm<sup>2</sup> ≤ EI ≤ 500 mW/cm<sup>2</sup>.
- For in-band signals from 0.576 Mbit/s to 1.152 Mbit/s, where 22.5 μW/cm<sup>2</sup> ≤ EI ≤ 500 mW/cm<sup>2</sup>.
- Latency time is defined as the time from the last TxD light output pulse until the receiver has recovered full sensitivity.
- Receiver wake up time is measured from V<sub>CC</sub> power on or SD pin high to low transition to a valid RXD output.
- The maximum optical PW is the maximum time the LED remains on when the TXD is constantly high. This is to prevent long turn on time of the LED for eye safety protection.

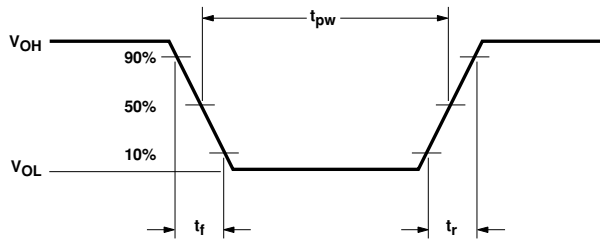


Figure 3. RxD output waveform.

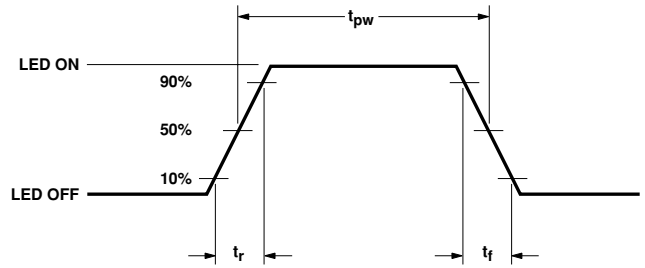


Figure 4. LED optical waveform.

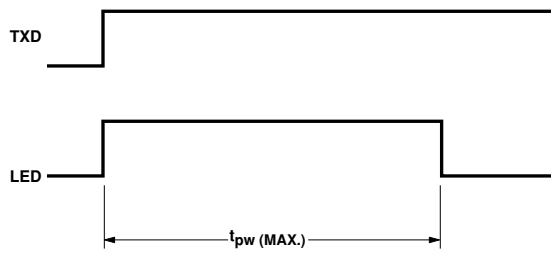


Figure 5. TxD "Stuck On" protection waveform.

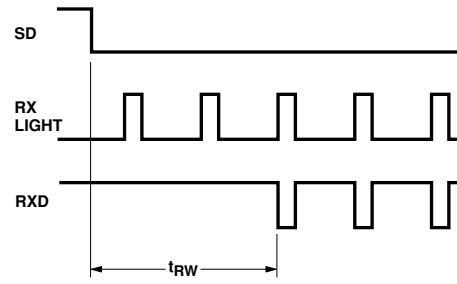


Figure 6. Receiver wakeup time waveform.

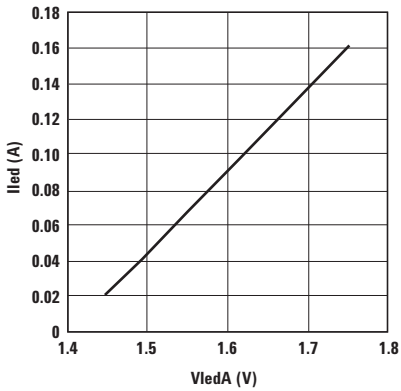


Figure 7. LED anode voltage vs. LED current.

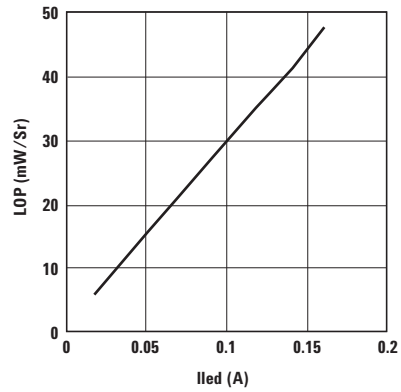
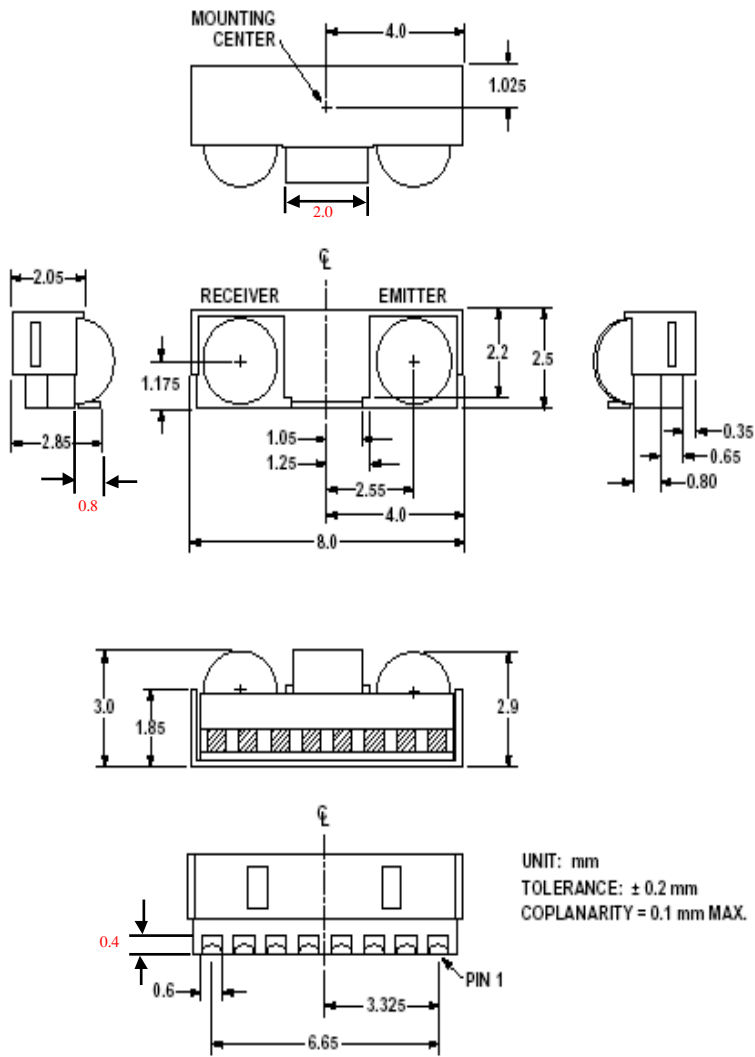


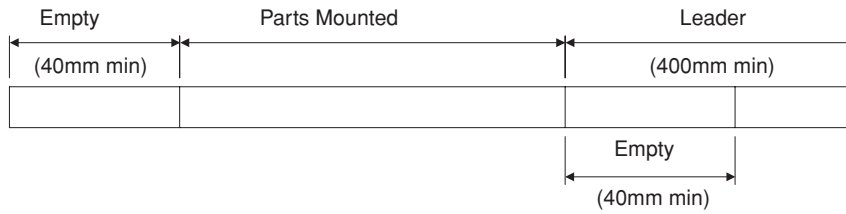
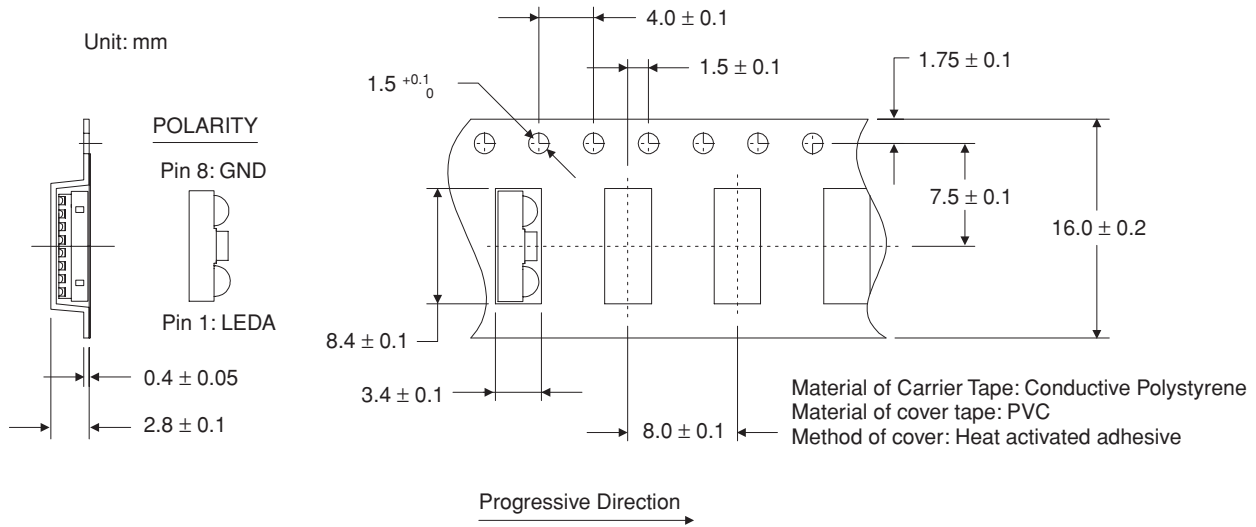
Figure 8. LED current vs. radiant intensity.

### HSDL-3211 Package Dimensions

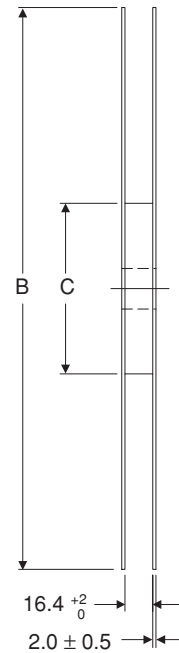
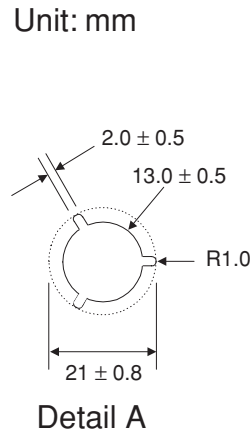
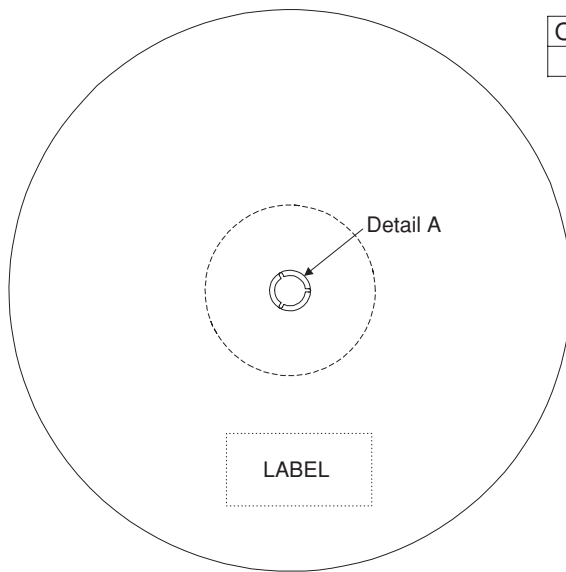


UNIT: mm  
 TOLERANCE:  $\pm 0.2$  mm  
 COPLANARITY = 0.1 mm MAX.

### HSDL-3211 Tape and Reel Dimensions



Option #	"B"	"C"	Quantity
021	330	80	2500



**Note:** The carrier tape is compliant to the packaging materials standards for ESD sensitive device, EIA-541

**Moisture Proof Packaging**

All HSDL-3211 options are shipped in moisture proof package. Once opened, moisture absorption begins.

This part is compliant to JEDEC Level 4.

**Baking Conditions**

If the parts are not stored in dry conditions, they must be baked before reflow to prevent damage to the parts.

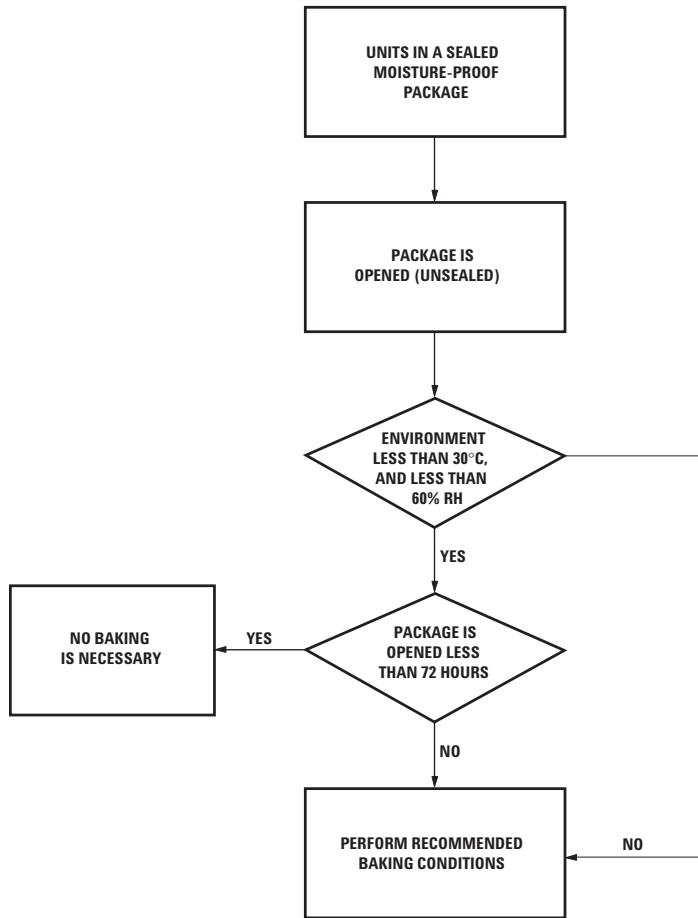


Figure 9. Baking conditions chart.

Package	Temp.	Time
In reels	60°C	≥ 48 hours
In bulk	100°C	≥ 4 hours
	125°C	≥ 2 hours
	150°C	≥ 1 hour

Baking should only be done once.

**Recommended Storage Conditions**

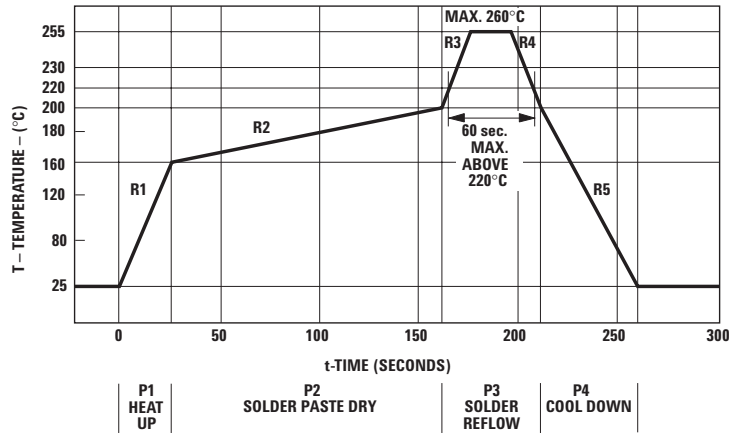
Storage Temperature	10°C to 30°C
Relative Humidity	below 60% RH

**Time from Unsealing to Soldering**

After removal from the bag, the parts should be soldered within three days if stored at the recommended storage conditions. If times longer than three days are needed, the parts must be stored in a dry box.



## Recommended Reflow Profile



Process Zone	Symbol	$\Delta T$	Maximum $\Delta T/\Delta \text{time}$
Heat Up	P1, R1	25°C to 160°C	4°C/s
Solder Paste Dry	P2, R2	160°C to 200°C	0.5°C/s
Solder Reflow	P3, R3	200°C to 255°C (260°C at 10 seconds max)	4°C/s
	P3, R4	255°C to 200°C	-6°C/s
Cool Down	P4, R5	200°C to 25°C	-6°C/s

The reflow profile is a straight-line representation of a nominal temperature profile for a convective reflow solder process. The temperature profile is divided into four process zones, each with different  $\Delta T/\Delta \text{time}$  temperature change rates. The  $\Delta T/\Delta \text{time}$  rates are detailed in the above table. The temperatures are measured at the component to printed circuit board connections.

In **process zone P1**, the PC board and HSDL-3211 castellations pins are heated to a temperature of 160°C to activate the flux in the solder paste. The temperature ramp up rate, R1, is limited to 4°C per second to allow for even heating of both the PC board and HSDL-3211 castellations.

**Process zone P2** should be of sufficient time duration (60 to 120 seconds) to dry the solder paste. The temperature is raised to a level just below the liquidus point of the solder, usually 200°C (392°F).

**Process zone P3** is the solder reflow zone. In zone P3, the temperature is quickly raised above the liquidus point of solder to 255°C (491°F) for optimum results. The dwell time above the liquidus point of solder should be between 20 and 60 seconds. It usually takes about 20 seconds to assure proper coalescing of the solder balls into liquid solder and the formation of good solder connections. Beyond a dwell time of 60 seconds, the intermetallic

growth within the solder connections becomes excessive, resulting in the formation of weak and unreliable connections. The temperature is then rapidly reduced to a point below the solidus temperature of the solder, usually 200°C (392°F), to allow the solder within the connections to freeze solid.

**Process zone P4** is the cool down after solder freeze. The cool down rate, R5, from the liquidus point of the solder to 25°C (77°F) should not exceed 6°C per second maximum. This limitation is necessary to allow the PC board and HSDL-3211 castellations to change dimensions evenly, putting minimal stresses on the HSDL-3211 transceiver.

## Appendix A: SMT Assembly Application Note

### Solder Pad, Mask and Metal Stencil Aperture

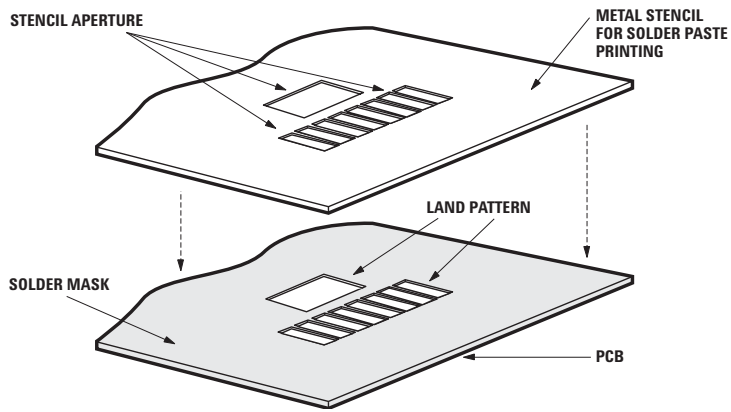


Figure 10. Stencil and PCBA.

### Recommended Land Pattern

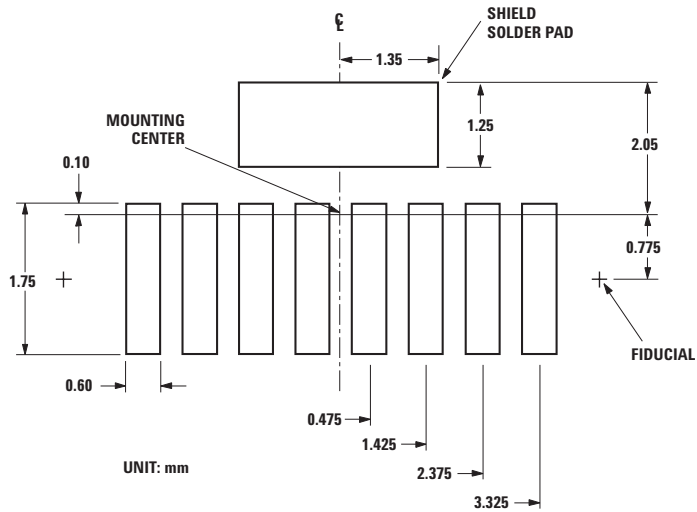


Figure 11. Stencil and PCBA.

**Recommended Metal Solder Stencil Aperture**

It is recommended that only a 0.152 mm (0.006 inches) or a 0.127 mm (0.005 inches) thick stencil be used for solder paste printing. This is to ensure adequate printed solder paste volume and no shorting. See the table below the drawing for combinations of metal stencil aperture and metal stencil thickness that should be used.

Aperture opening for shield pad is 2.7 mm x 1.25 mm as per land pattern.

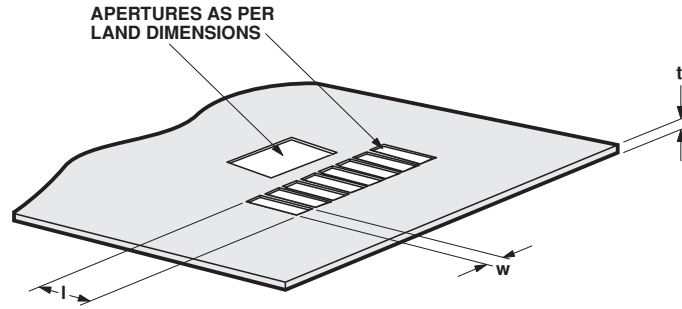


Figure 12. Solder stencil aperture.

Stencil thickness, t (mm)	Aperture size (mm)	
	length, l	width, w
0.152 mm	2.60 ± 0.05	0.55 ± 0.05
0.127 mm	3.00 ± 0.05	0.55 ± 0.05

**Adjacent Land Keepout and Solder Mask Areas**

Adjacent land keep-out is the **maximum space** occupied by the unit relative to the land pattern. There should be no other SMD components within this area.

The minimum solder resist strip width required to avoid solder bridging adjacent pads is **0.2 mm**.

It is recommended that two fiducial crosses be placed at mid-length of the pads for unit alignment.

**Note:** Wet/Liquid Photo-Imageable solder resist/mask is recommended.

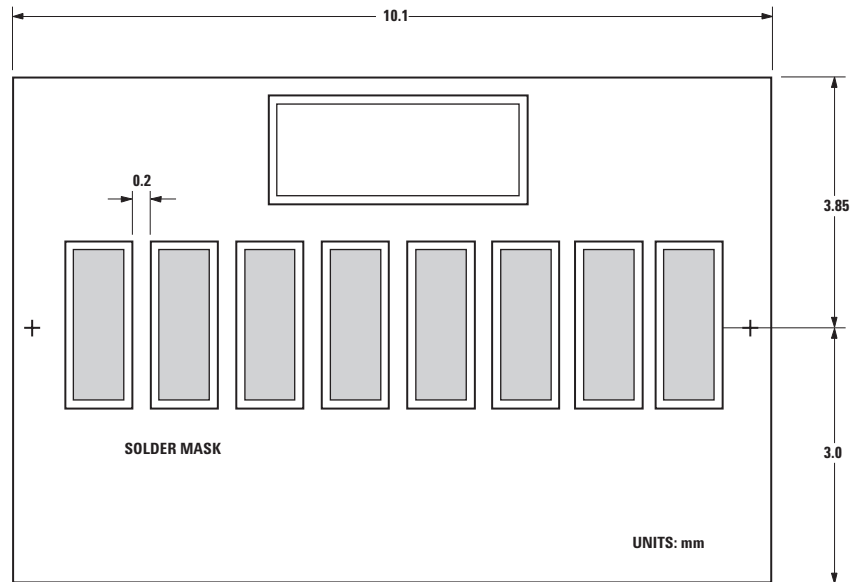


Figure 13. Adjacent land keepout and solder mask areas.

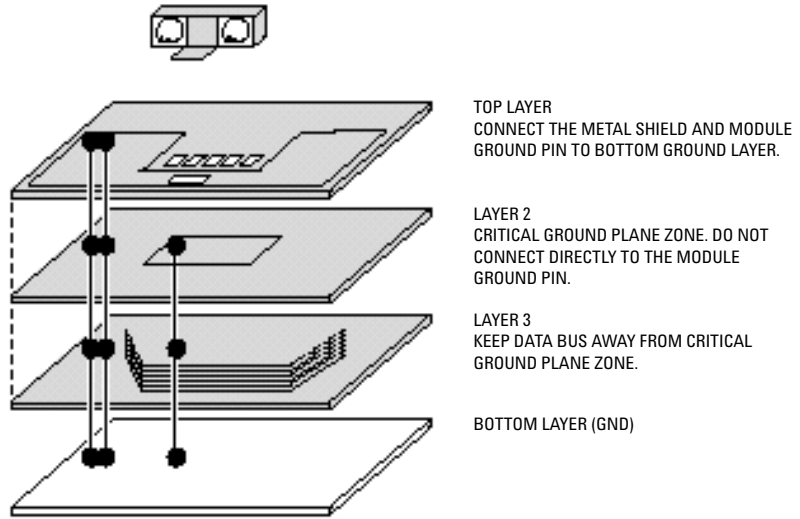
## Appendix B: PCB Layout Suggestion

The following PCB layout guidelines should be followed to obtain a good PSRR and EM immunity resulting in good electrical performance. Things to note:

1. The ground plane should be continuous under the part, but should not extend under the shield trace.
2. The shield trace is a wide, low inductance trace back to the system ground. CX1, CX2, CX3, and CX4 are optional supply filter capacitors; they may be left out if a clean power supply is used.
3. Vled can be connected to either unfiltered or unregulated power supply. If Vled and Vcc share the same power supply, CX3 need not be used and the connections for CX1 and CX2 should be before the current limiting resistor R1. In a noisy environment, including capacitor CX2 can enhance supply rejection. CX1 is generally a ceramic capacitor of low inductance providing a wide frequency response while CX2 and CX3 are tantalum capacitors of big volume and fast frequency response. The use of a tantalum capacitor is more critical on the Vled line, which carries a high current. CX4 is an optional ceramic capacitor, similar to CX1, for the IOVcc line.

4. Preferably a multi-layered board should be used to provide sufficient ground plane. Use the layer underneath and near the transceiver

module as Vcc, and sandwich that layer between ground connected board layers. Refer to the diagram below for an example of a 4 layer board.



The area underneath the module at the second layer, and 3 cm in all directions around the module is defined as the critical ground plane zone. The ground plane should be maximized in this

zone. Refer to application note AN1114 or the Avago IrDA Data Link Design Guide for details. The layout below is based on a 2-layer PCB.

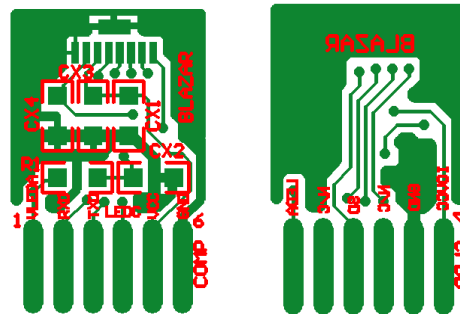


Figure 14. PCB layout suggestion.

## Appendix C: General Application Guide for the HSDL-3211

### Description

The HSDL-3211, a low-cost and small form factor infrared transceiver, is designed to address the mobile computing market such as PDAs, as well as small-embedded mobile products such as digital cameras and cellular phones. It is fully compliant to IrDA 1.4 low power specification from 9.6 kb/s to 1.152 Mb/s, and supports HP-SIR and TV Remote modes.

The design of the HSDL-3211 also includes the following unique features:

- Low passive component count.
- Shutdown mode for low power consumption requirement.
- Interface to input/output logic circuits as low as 1.8V

### Selection of Resistor R1

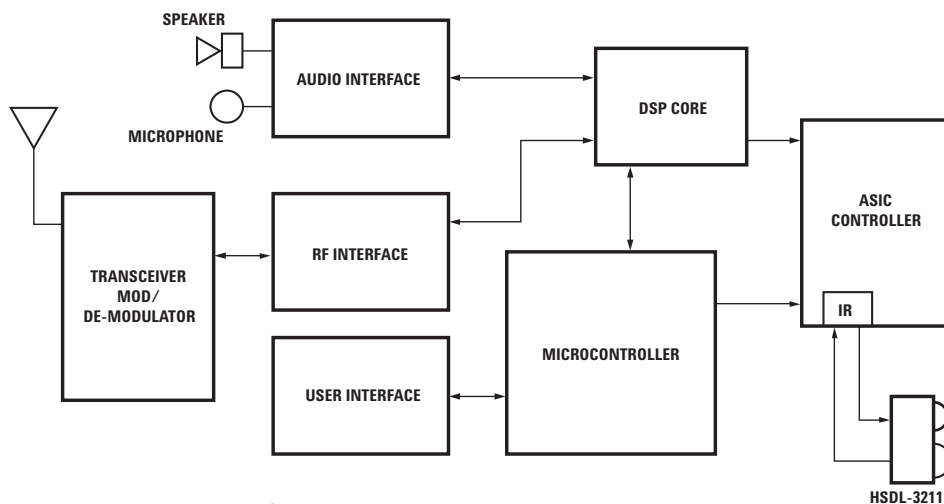
Resistor R1 should be selected to provide the appropriate peak pulse LED current over different ranges of Vcc as shown in the table below.

### Interface to Recommended I/O chips

The HSDL-3211's TXD data input is buffered to allow for CMOS drive levels. No peaking circuit or capacitor is required. Data rate from 9.6 kb/s up to 1.152 Mb/s is available at the RXD pin.

The block diagram below shows how the IR port fits into a mobile phone and PDA platform.

Recommended R1	Vled	Intensity	Minimum Peak Pulse LED Current
5.6Ω	3.0 V	45 mW/sr	150 mA



Figures 15. Mobile phone platform.

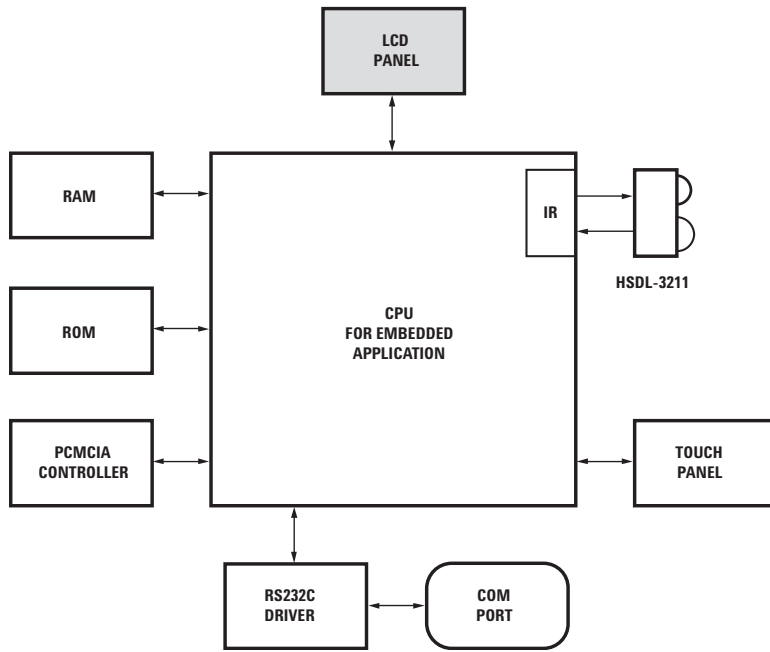


Figure 16. PDA platform.

The link distance testing was done using typical HSDL-3211 units with SMC's FDC37C669 and FDC37N769 Super I/O controllers. An IR link distance of up to 75 cm was demonstrated for SIR and MIR at full power.

## Appendix D: Window Designs for HSDL-3211

### Optical port dimensions for HSDL-3211

To ensure IrDA compliance, some constraints on the height and width of the window exist. The minimum dimensions ensure that the IrDA cone angles are met without vignetting. The maximum dimensions minimize the effects of stray light. The minimum size corresponds to a cone angle of 30° and the maximum size corresponds to a cone angle of 60°.

In the figure below, X is the width of the window, Y is the

height of the window and Z is the distance from the HSDL-3211 to the back of the window. The distance from the center of the LED lens to the center of the photodiode lens, K, is 5.1mm. The equations for computing the window dimensions are as follows:

$$X = K + 2*(Z+D)*\tan A$$

$$Y = 2*(Z+D)*\tan A$$

The above equations assume that the thickness of the window is negligible compared to the distance of the module from the back of the window (Z). If they are

comparable, Z' replaces Z in the above equation. Z' is defined as  $Z' = Z + t/n$

where 't' is the thickness of the window and 'n' is the refractive index of the window material.

The depth of the LED image inside the HSDL-3211, D, is 3.17mm. 'A' is the required half angle for viewing. For IrDA compliance, the minimum is 15° and the maximum is 30°. Assuming the thickness of the window to be negligible, the equations result in the following tables and graphs.

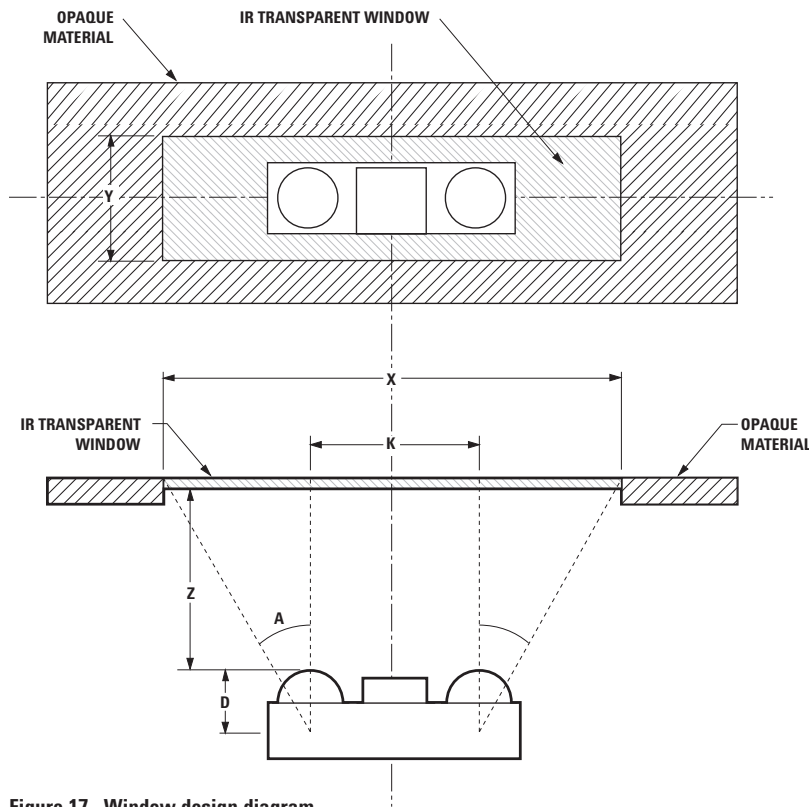


Figure 17. Window design diagram.

Module Depth (z) mm	Aperture Width (x, mm)		Aperture Height (y, mm)	
	Max.	Min.	Max.	Min.
0	8.76	6.80	3.66	1.70
1	9.92	7.33	4.82	2.33
2	11.07	7.87	5.97	2.77
3	12.22	8.41	7.12	3.31
4	13.38	8.94	8.28	3.84
5	14.53	9.48	9.43	4.38
6	15.69	10.01	10.59	4.91
7	16.84	10.55	11.74	5.45
8	18.00	11.09	12.90	5.99
9	19.15	11.62	14.05	6.52

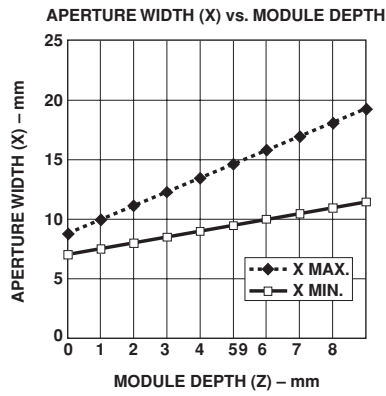


Figure 18. Aperture width (X) vs. module depth.

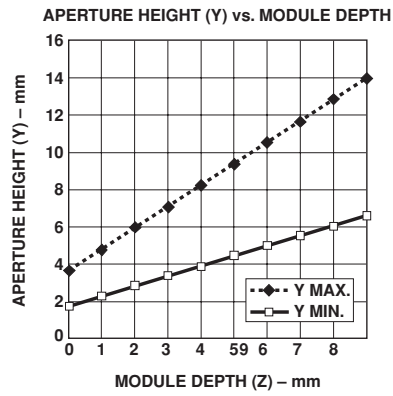


Figure 19. Aperture height (Y) vs. module depth.



**Window Material**

Almost any plastic material will work as a window material. Polycarbonate is recommended. The surface finish of the plastic should be smooth, without any texture. An IR filter dye may be used in the window to make it look black to the eye, but the total optical loss of the window should be 10% or less for best optical performance. Light loss should be measured at 875 nm. The recommended plastic materials for use as a cosmetic window are available from General Electric Plastics.

**Shape of the Window**

From an optics standpoint, the window should be flat. This ensures that the window will not alter either the radiation pattern of the LED, or the receive pattern of the photodiode.

If the window must be curved for mechanical or industrial design reasons, place the same curve on the back side of the window that has an identical radius as the front side. While this will not completely eliminate the lens effect of the front curved surface, it will significantly reduce the effects. The amount of change in

the radiation pattern is dependent upon the material chosen for the window, the radius of the front and back curves, and the distance from the back surface to the transceiver. Once these items are known, a lens design can be made which will eliminate the effect of the front surface curve.

The following drawings show the effects of a curved window on the radiation pattern. In all cases, the center thickness of the window is 1.5 mm, the window is made of polycarbonate plastic, and the distance from the transceiver to the back surface of the window is 3 mm.

Recommended Plastic Materials:

Material #	Light Transmission	Haze	Refractive Index
Lexan 141	88%	1%	1.586
Lexan 920A	85%	1%	1.586
Lexan 940A	85%	1%	1.586

**Note:** 920A and 940A are more flame retardant than 141.

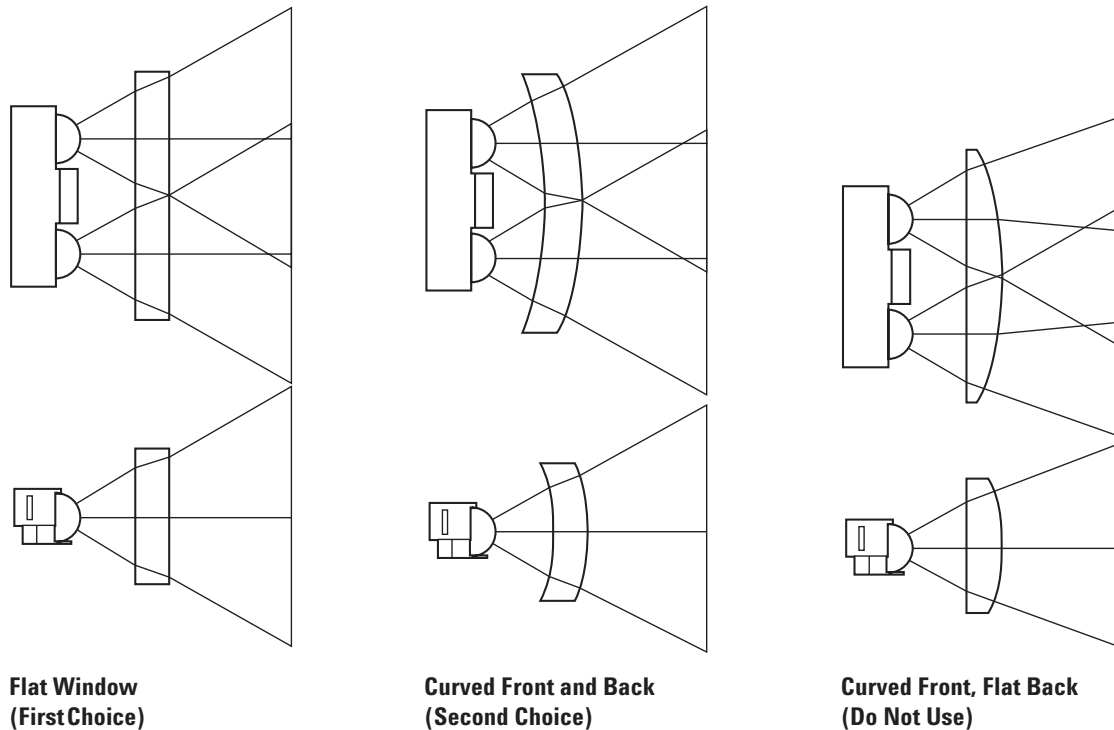


Figure 20. Shape of windows.

For product information and a complete list of distributors, please go to our web site:  
**[www.avagotech.com](http://www.avagotech.com)**

Avago, Avago Technologies, and the A logo are trademarks of Avago Technologies, Limited in the United States and other countries.  
Data subject to change. Copyright © 2006 Avago Technologies, Limited. All rights reserved.  
5988-9887EN August 22, 2006