



LCD Module Technical Specification for Trial

FOR TRIAL

Type No. **F-51373GNC-LW-AJ**

Approved by (Production Div.)

A handwritten signature in black ink, appearing to be "R. J. J.", written over a horizontal dotted line.

1. General Specifications

Operating Temp.	:	min. 0°C ~max. 50°C
Storage Temp.	:	min. -20°C ~max. 70°C
Dot Pixels	:	240×3 [R.G.B] (W) × 320 (H) dots
Dot Size	:	0.23 (W) × 0.225 (H) mm
Dot Pitch	:	0.24 (W) × 0.24 (H) mm
Viewing Area	:	59.0 (W) × 80.3 (H) mm
Outline Dimensions	:	73.0 (W) × 94.4 (H) × 7.3 max. (D) mm
Weight	:	57.6g max.
LCD Type	:	CTD-21398 (F-STN / Color-mode / Transmissive)
Viewing Angle	:	6:00
Data Transfer	:	8-bit parallel data transfer
Backlight	:	LED Backlight / White
Drawings	:	Dimensional Outline UE-310878B

2. Electrical Specifications

2.1. Absolute Maximum Ratings

V_{SS}=0V

Parameter	Symbol	Conditions	Min.	Max.	Units
Supply Voltage (Logic)	V _{CC} -V _{SS}	-	-0.3	7.0	V
Supply Voltage (LCD Drive)	V _{LCD} -V _{SS}	-	-0.3	30.0	V
Input Voltage	V _I	-	-0.3	V _{CC} +0.3	V

2.2. DC Characteristics

T_a=25°C, V_{SS}=0V

Parameter	Symbol	Conditions	Min.	Typ.	Max.	Units
Supply Voltage (Logic)	V _{CC} -V _{SS}	-	2.7	-	5.5	V
Supply Voltage (LCD Drive)	V _{LCD} -V _{SS}	-	Shown in 3.1			V
High Level Input Voltage	V _{IH}	V _{CC} =2.7~5.5V	0.8×V _{CC}	-	-	V
Low Level Input Voltage	V _{IL}	V _{CC} =2.7~5.5V	0	-	0.2×V _{CC}	V
Supply Current	I _{CC}	V _{CC} -V _{SS} =3.0V	-	0.7	1.1	mA
	I _{CC}	V _{CC} -V _{SS} =5.0V	-	0.4	0.6	mA
	I _{LCD}	V _{LCD} -V _{SS} =24.2V	-	3.7	5.6	mA

Note 1

Note 1: Checker Pattern

2.3.AC Characteristics

V_{CC}=4.5~5.5V

Parameter	Symbol	Min.	Max.	Units
Shift Clock Period	t _{WCK}	50	-	ns
Shift Clock "H" Pulse Width	t _{WCKH}	15	-	ns
Shift Clock "L" Pulse Width	t _{WCKL}	15	-	ns
Data Setup Time	t _{DS}	10	-	ns
Data Hold Time	t _{DH}	12	-	ns
Latch Pulse "H" Pulse Width	t _{WLPH}	15	-	ns
Shift Clock Rise to Latch Pulse Rise Time	t _{LD}	0	-	ns
Shift Clock Fall to Latch Pulse Fall Time	t _{SL}	30	-	ns
Latch Pulse Rise to Shift Clock Rise Time	t _{LS}	25	-	ns
Latch Pulse Fall to Shift Clock Rise Time	t _{LH}	25	-	ns
Input Signal Rise,Fall Time	t _r , t _f	-	50 Note.1	ns
DISPOFF Removal Time	t _{SD}	100	-	ns
DISPOFF Enable Pulse Width	t _{WDL}	1.2	-	μs
Output Delay Time	t _{DL}	-	200 Note.2	ns

Note.1 : $(t_{CK} - t_{WCKH} - t_{WCKL})/2$ is the maximum in case of high speed operation.

Note.2 : C_L=15pF

V_{CC}=3.0~4.5V

Parameter	Symbol	Min.	Max.	Units
Shift Clock Period	t _{WCK}	66	-	ns
Shift Clock "H" Pulse Width	t _{WCKH}	23	-	ns
Shift Clock "L" Pulse Width	t _{WCKL}	23	-	ns
Data Setup Time	t _{DS}	15	-	ns
Data Hold Time	t _{DH}	23	-	ns
Latch Pulse "H" Pulse Width	t _{WLPH}	30	-	ns
Shift Clock Rise to Latch Pulse Rise Time	t _{LD}	0	-	ns
Shift Clock Fall to Latch Pulse Fall Time	t _{SL}	50	-	ns
Latch Pulse Rise to Shift Clock Rise Time	t _{LS}	30	-	ns
Latch Pulse Fall to Shift Clock Rise Time	t _{LH}	30	-	ns
Input Signal Rise,Fall Time	t _r , t _f	-	50 Note.1	ns
DISPOFF Removal Time	t _{SD}	100	-	ns
DISPOFF Enable Pulse Width	t _{WDL}	1.2	-	μs
Output Delay Time	t _{DL}	-	200 Note.2	ns

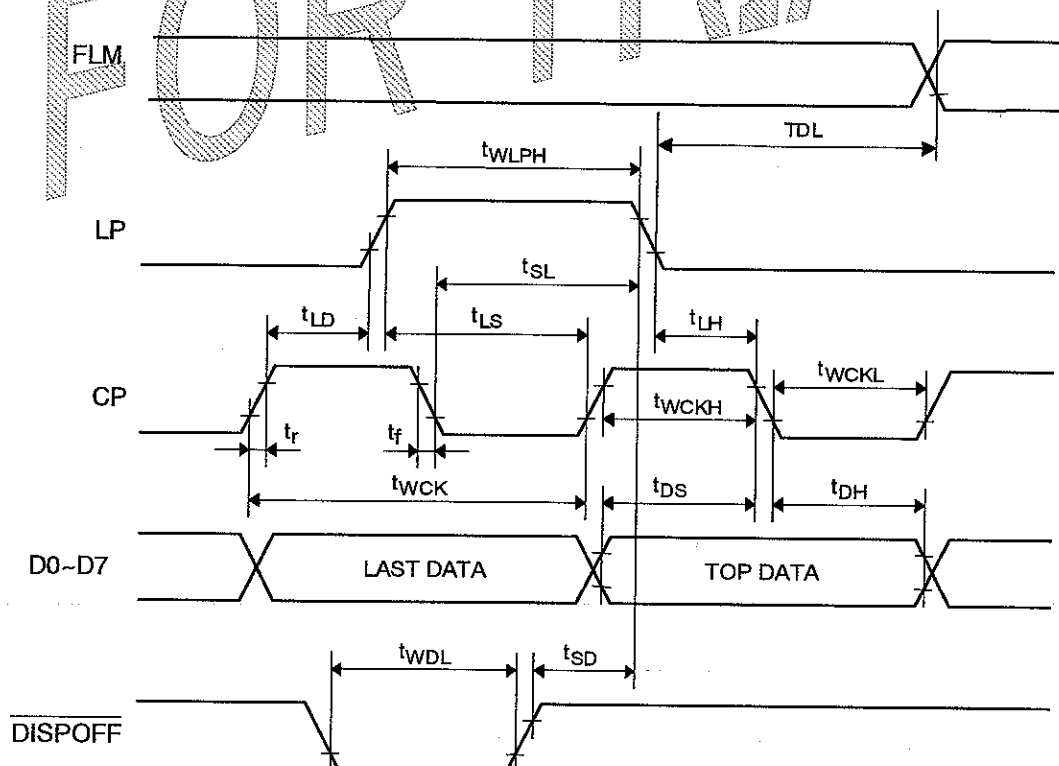
Note.1 : $(t_{CK} - t_{WCKH} - t_{WCKL})/2$ is the maximum in case of high speed operation.

Note.2 : C_L=15pF

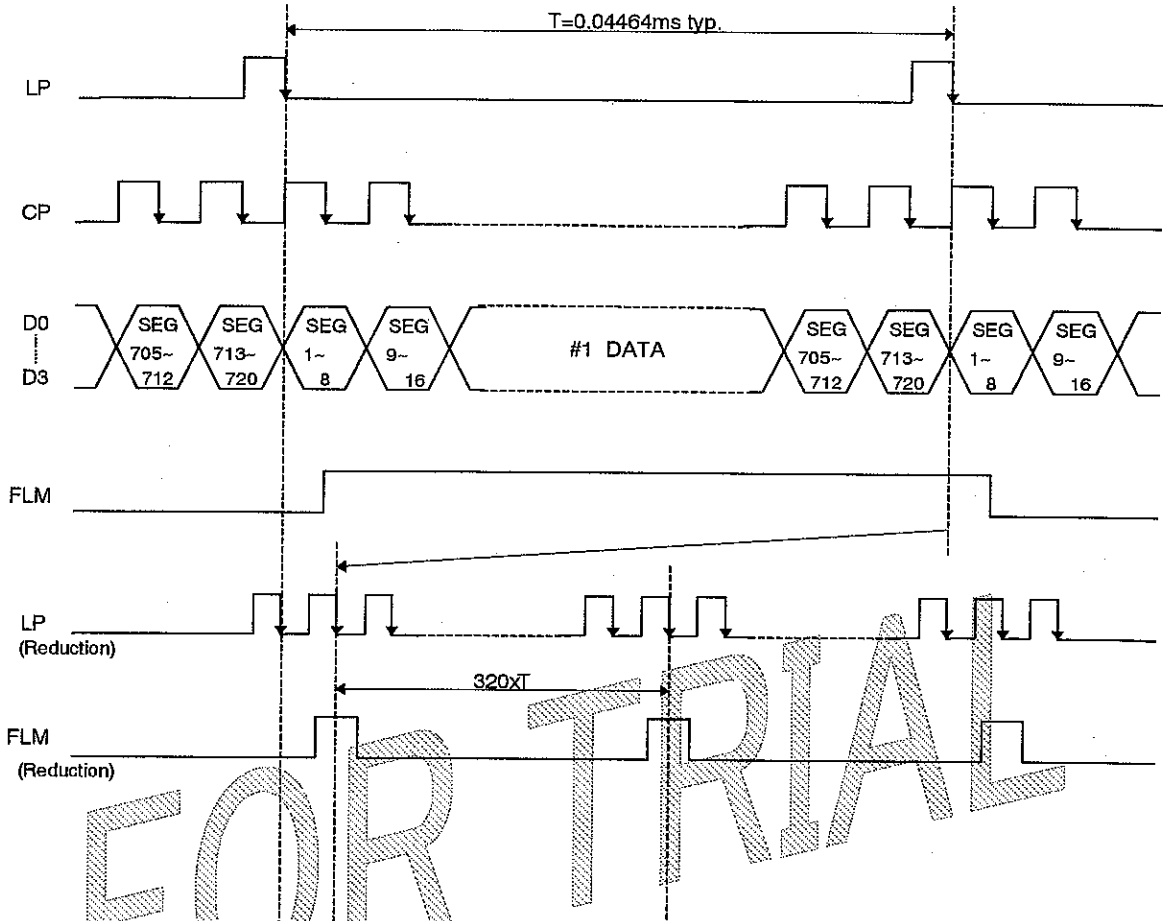
Parameter	Symbol	Min.	Max.	Units
Shift Clock Period	t_{WCK}	82	-	ns
Shift Clock "H" Pulse Width	t_{WCKH}	28	-	ns
Shift Clock "L" Pulse Width	t_{WCKL}	28	-	ns
Data Setup Time	t_{DS}	20	-	ns
Data Hold Time	t_{DH}	23	-	ns
Latch Pulse "H" Pulse Width	t_{WLPH}	30	-	ns
Shift Clock Rise to Latch Pulse Rise Time	t_{LD}	0	-	ns
Shift Clock Fall to Latch Pulse Fall Time	t_{SL}	65	-	ns
Latch Pulse Rise to Shift Clock Rise Time	t_{LS}	30	-	ns
Latch Pulse Fall to Shift Clock Rise Time	t_{LH}	30	-	ns
Input Signal Rise,Fall Time	t_r, t_f	-	50 Note.1	ns
DISPOFF Removal Time	t_{SD}	100	-	ns
DISPOFF Enable Pulse Width	t_{WDL}	1.2	-	μ s
Output Delay Time	t_{DL}	-	200 Note.2	ns

Note.1 : $(t_{CK} - t_{WCKH} - t_{WCKL})/2$ is the maximum in case of high speed operation.

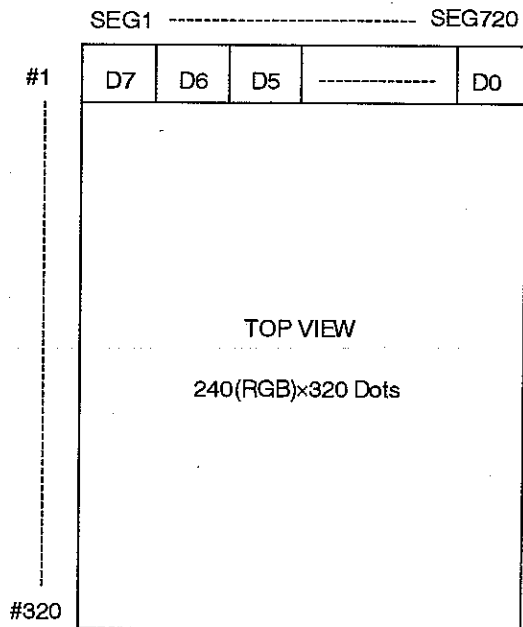
Note.2 : $C_L=15pF$



2.4. Timing Chart

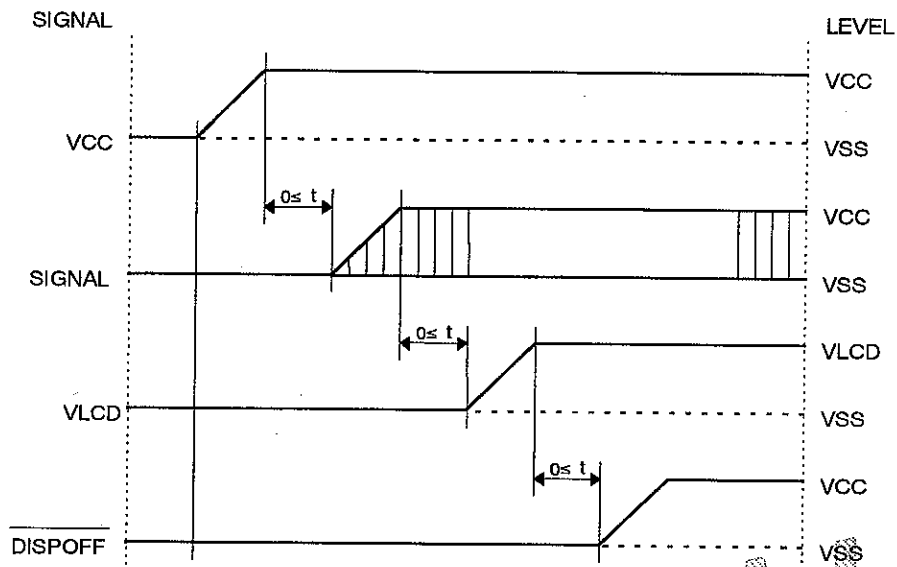


2.5. Comparison of Display and Data

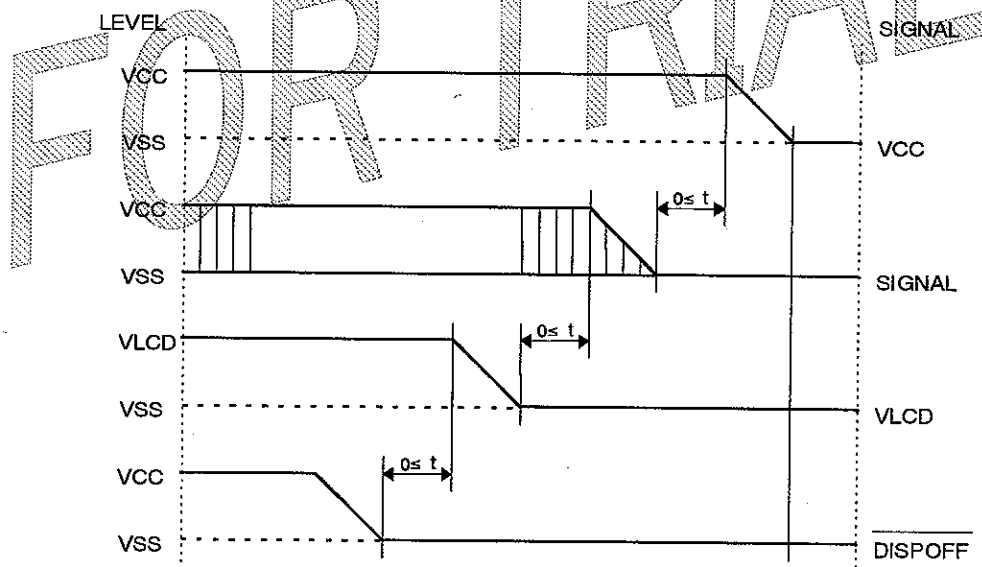


2.6. Power Supply ON/OFF Sequence

2.6.1. ON Sequence



2.6.2. OFF Sequence



Please maintain the above sequence when turning on and off the power supply of the module.

If DISPOFF is supplied to the module while internal alternate signal for LCD driving (M) is unstable, DC component will be supplied to the LCD panel. This may cause damage the LCD module.

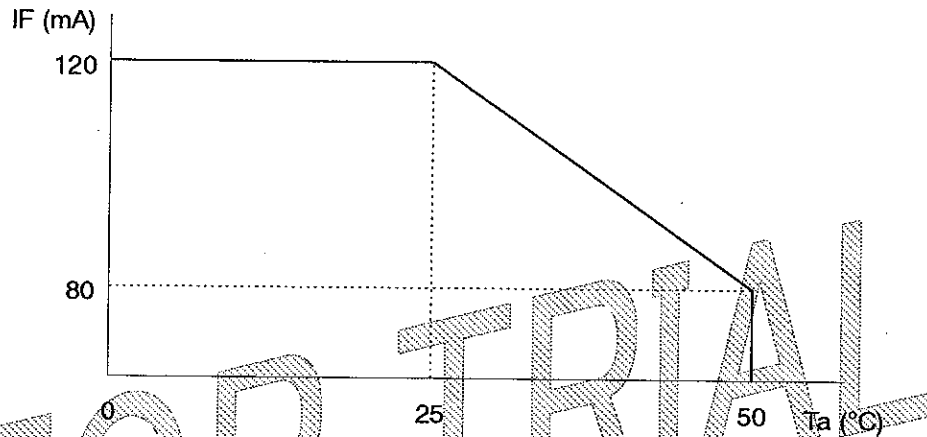
2.7. Lighting Specifications

2.7.1. Absolute Maximum Ratings

Ta=25°C

Parameter	Symbol	Conditions	Min.	Typ.	Max.	Units
Foward Current	I _F	Note 1	-	-	120	mA
Reverse Voltage	V _R	-	-	-	10	V
LED Power Dissipation	P _D	-	-	-	960	W

Note 1 : Refer to the foward current derating curve.



2.7.2. Operating Characteristics

(Only LED)

Ta=25°C

Parameter	Symbol	Conditions	Min.	Typ.	Max.	Units
Foward Voltage	V _F	I _F =80mA	-	7.2	8.0	V
Luminance of Backlight Surface	L	I _F =80mA	TBD	1000	-	cd/m ²

Parameter	Symbol	Conditions	Min.	Typ.	Max.	Units
Luminance of Module	L	I _F =80mA	TBD	50	-	cd/m ²

3. Optical Specifications

3.1. LCD Driving Voltage

Parameter	Symbol	Conditions	Min.	Typ.	Max.	Units
Recommended LCD Driving Voltage Note 1	V _{LCD-V_{SS}}	T _a = 0°C	-	-	TBD	V
		T _a =25°C	TBD	24.2	TBD	V
		T _a =50°C	TBD	-	-	V

Note 1 : Voltage (Applied actual waveform to LCD Module) for the best contrast. The range of minimum and maximum shows tolerance of the operating voltage. The specified contrast ratio and response time are not guaranteed over the entire range.

3.2. Optical Characteristics

T_a=25°C, 1/320 Duty, 1/15 Bias, V_{OD}=24.2V (Note 4), θ= 0°, φ=-°

Parameter	Symbol	Conditions	Min.	Typ.	Max.	Units
Contrast Ratio Note 1	CR	θ= 0°, φ=-°	-	TBD	-	
Viewing Angle		Shown in 3.3				
Response Time	Rise Note 2	T _{ON}	-	TBD	TBD	ms
	Decay Note 3	T _{OFF}		TBD	TBD	ms

Note 1 : Contrast ratio is defined as follows. (CR = L_{OFF} / L_{ON})

L_{ON} : Luminance of the ON segments

L_{OFF} : Luminance of the OFF segments

Note 2 : The time that the luminance level reaches 90% of the saturation level from 0% when ON signal is applied.

Note 3 : The time that the luminance level reaches 10% of the saturation level from 100% when OFF signal is applied.

Note 4 : Definition of Driving Voltage V_{OD}

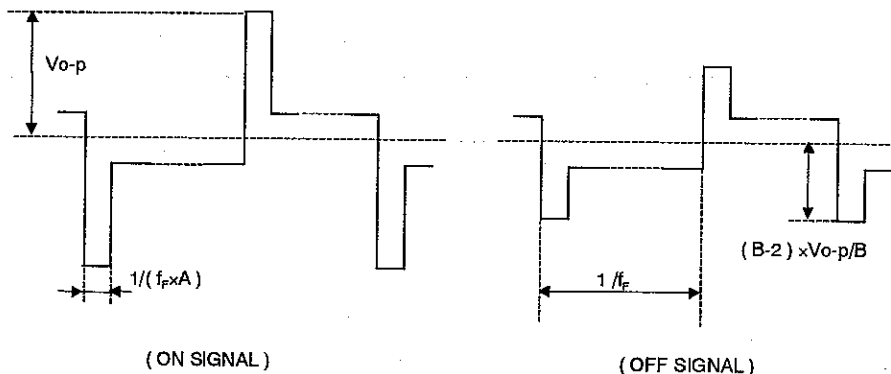
$$V_{OD} = V_{CC} - V_{LCD} - V_{BE}$$

Assuming that the typical driving waveforms shown below are applied to the LCD Panel at 1/A Duty - 1/B Bias (A: Duty Number, B: Bias Number). Driving voltage V_{OD} is defined as follows.

$$V_{OD} = (V_{th1} + V_{th2}) / 2$$

V_{th1}: The voltage V_{O-P} that should provide 70% of the saturation level in the luminance at the segment which the ON signal is applied to.

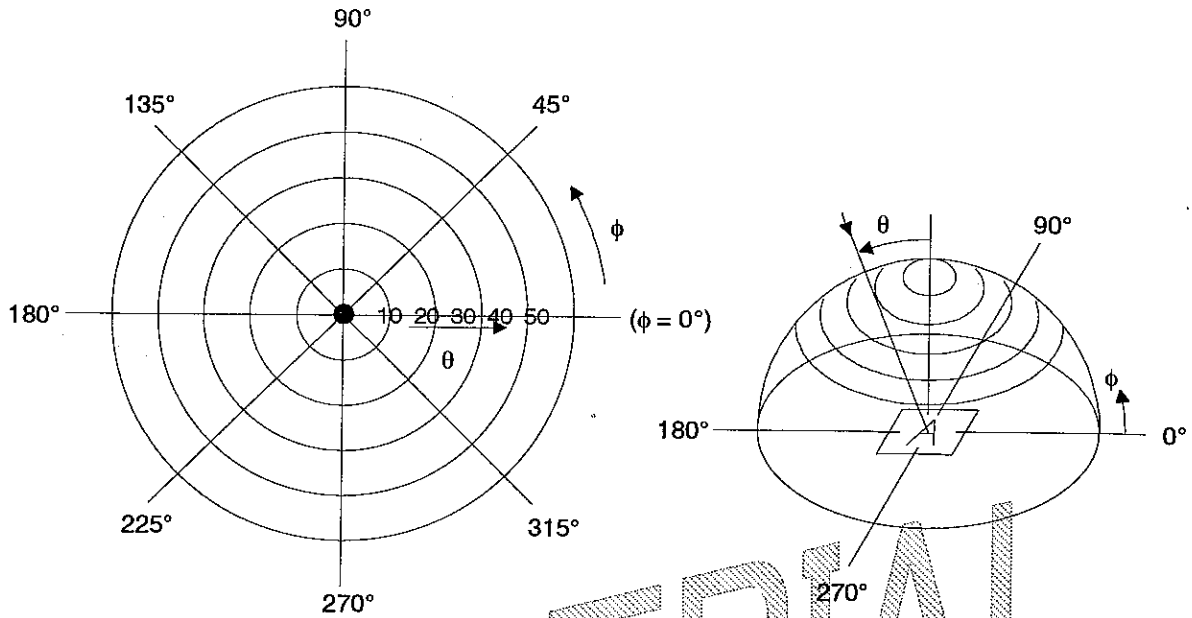
V_{th2}: The voltage V_{O-P} that should provide 20% of the saturation level in the luminance at the segment which the OFF signal is applied to.



3.3. Definition of Viewing Angle and Optimum Viewing Area

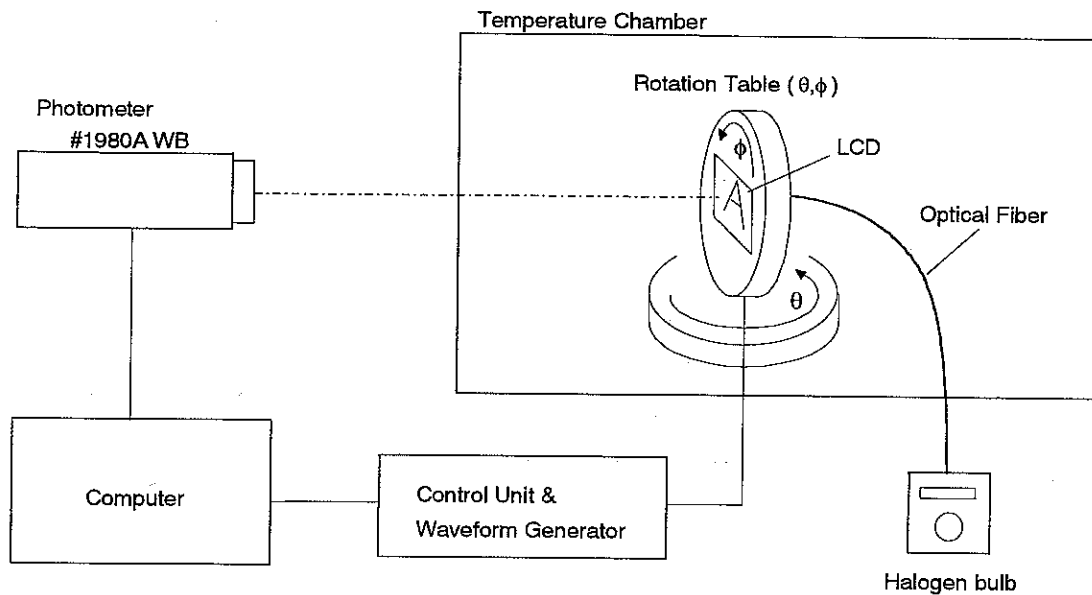
*Point • shows the point where contrast ratio is measured. : $\theta = 0^\circ$, $\phi = -^\circ$

*Driving condition : 1/320 Duty, 1/15 Bias, $V_{OD} = 24.2V$, $f_F = 70Hz$



*Area  shows typ. CR_zTBD

3.4. System Block Diagram



4.I/O Terminal

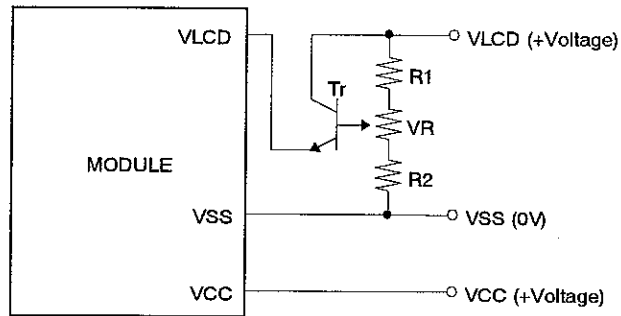
4.1.Pin Assignment

CN1

No.	Symbol	Function
1	Vss	Power Supply (0V, GND)
2	Vss	Power Supply (0V, GND)
3	FLM	First Line Marker
4	LP	Data Latch Signal
5	CP	Clock Signal for Shifting Data
6	DISPOFF	Display Control Signal H : Display on L : Display off
7	D7	Data Bus Line
8	D6	Data Bus Line
9	D5	Data Bus Line
10	D4	Data Bus Line
11	Vcc	Power Supply for Logic
12	D3	Data Bus Line / Non-connection at 4-bit operation
13	D2	Data Bus Line / Non-connection at 4-bit operation
14	D1	Data Bus Line / Non-connection at 4-bit operation
15	D0	Data Bus Line / Non-connection at 4-bit operation
16	Vss	Power Supply (0V, GND)
17	Vlcd	Power Supply for LCD Drive
18	LED+	LED Anode Terminal
19	LED+	LED Anode Terminal
20	LED-	LED Cathode Terminal
21	LED-	LED Cathode Terminal
22	Vss	Power Supply (0V, GND)

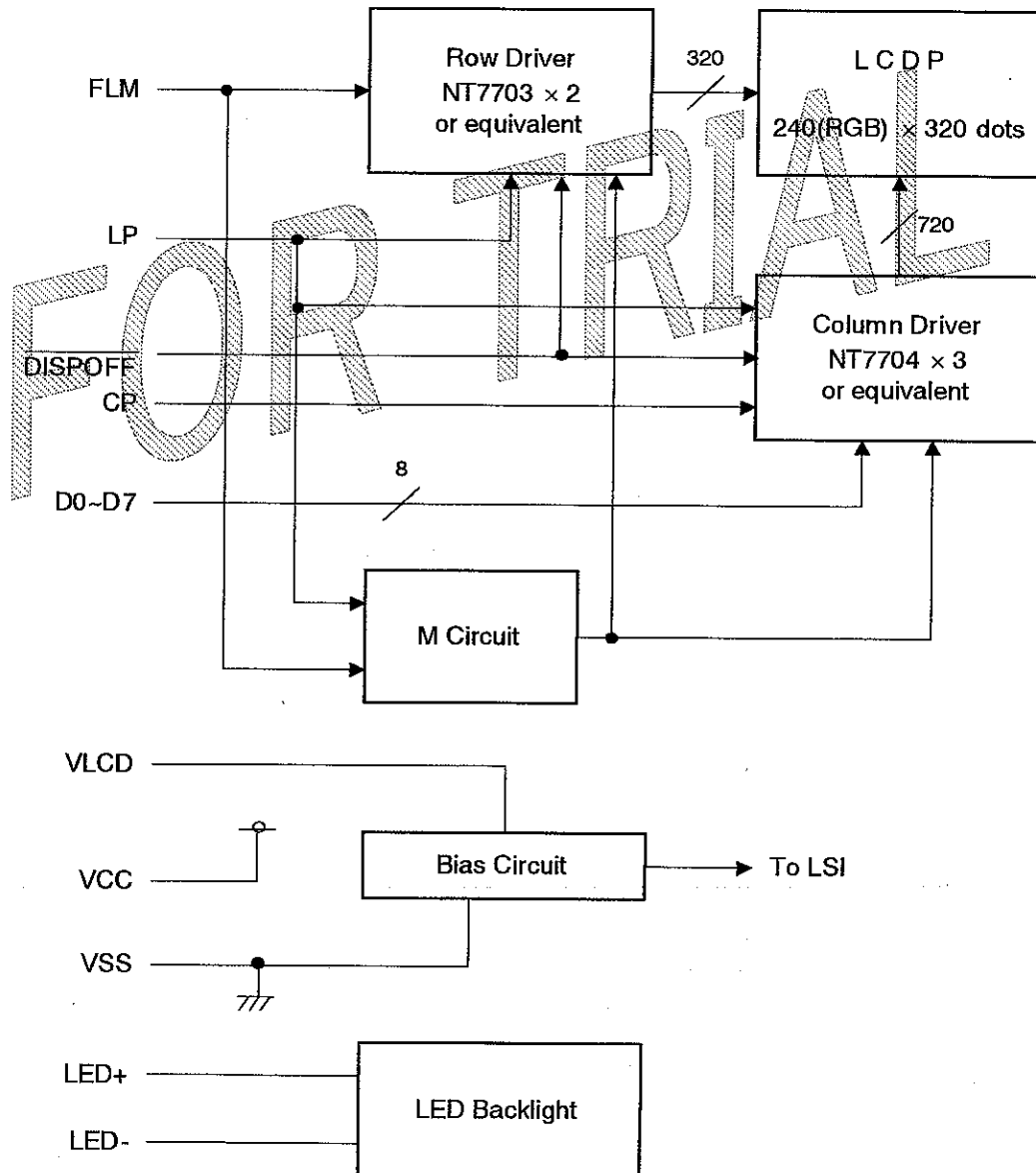
4.2.Example of Power Supply

It is recommended to apply a potentiometer for the contrast adjust due to the tolerance of the driving voltage and its temperature dependence.



$$R1+R2+VR=10\sim 20K\Omega$$

4.3.Block Diagram



5. Test

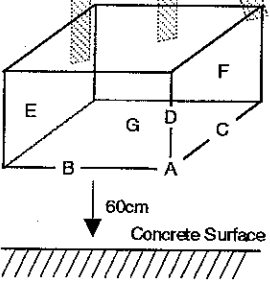
No change on display and in operation under the following test condition.

Conditions: Unless otherwise specified, tests will be conducted under the following condition.

Temperature: $20 \pm 5^\circ\text{C}$

Humidity : $65 \pm 5\% \text{RH}$

tests will be not conducted under functioning state.

No.	Parameter	Conditions	Notes
1	High Temperature Operating	$50^\circ\text{C} \pm 2^\circ\text{C}$, 96hrs (operation state)	
2	Low Temperature Operating	$0^\circ\text{C} \pm 2^\circ\text{C}$, 96hrs (operation state)	1
3	High Temperature Storage	$70^\circ\text{C} \pm 2^\circ\text{C}$, 96hrs	2
4	Low Temperature Storage	$-20^\circ\text{C} \pm 2^\circ\text{C}$, 96hrs	1,2
5	Damp Proof Test	$40^\circ\text{C} \pm 2^\circ\text{C}$, 90~95%RH, 96hrs	1,2
6	Vibration Test	Total fixed amplitude : 1.5mm Vibration Frequency : 10~55Hz One cycle 60 seconds to 3 directions of X, Y, Z each 15 minutes	3
7	Shock Test	To be measured after dropping from 60cm high the concrete surface in packing state.  Dropping method corner dropping A corner : once Edge dropping B, C, D edge : once Face dropping E, F, G face : once	

Note 1 :No dew condensation to be observed.

Note 2 :The function test shall be conducted after 4 hours storage at the normal Temperature and humidity after removed from the test chamber.

Note 3 :Vibration test will be conducted to the product itself without putting it in a container.

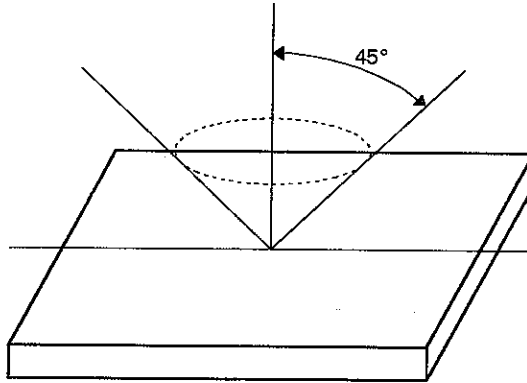
6. Appearance Standards

6.1. Inspection conditions

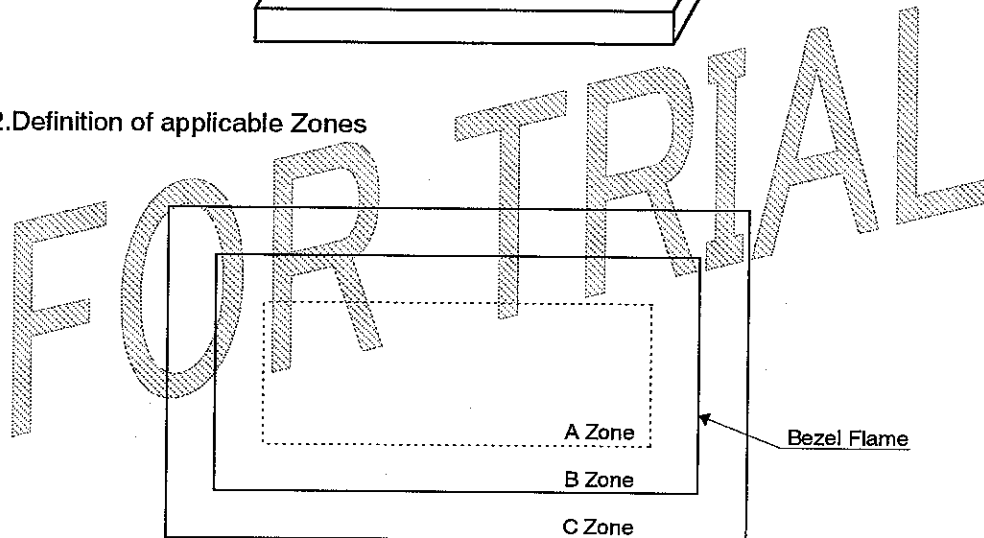
The LCD shall be inspected under 40W white fluorescent light.

The distance between the eyes and the sample shall be more than 30cm.

All directions for inspecting the sample should be within 45° against perpendicular line.



6.2. Definition of applicable Zones



A Zone : Active display area

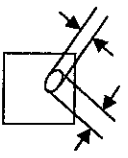
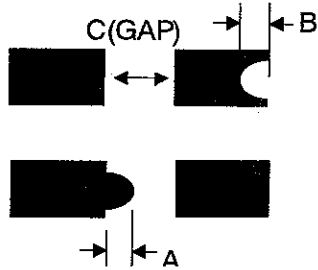
B Zone : Area from outside of "A Zone" to validity viewing area

C Zone : Rest parts

A Zone + B Zone = Validity viewing area

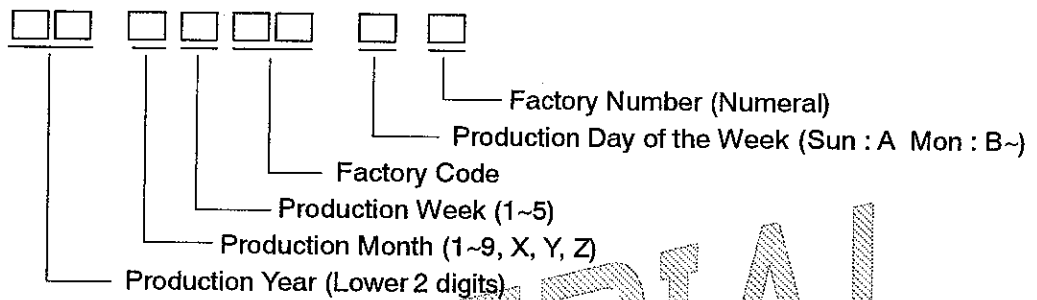
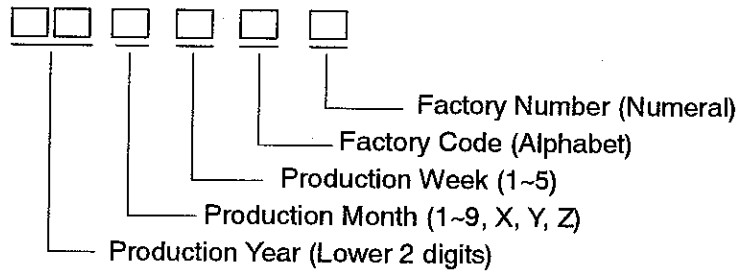
6.3.Standards

No.	Parameter	Criteria																																																										
1	Black and White Spots, Foreign Substances and LR/AR Coat Bright point	<p>(1) Round Shape</p> <table border="1"> <thead> <tr> <th rowspan="2">Zone Dimension (mm)</th> <th colspan="3">Acceptable Number</th> </tr> <tr> <th>A</th> <th>B</th> <th>C</th> </tr> </thead> <tbody> <tr> <td>$D \leq 0.10$</td> <td>*</td> <td></td> <td>*</td> </tr> <tr> <td>$0.10 < D \leq 0.15$</td> <td>2</td> <td></td> <td>*</td> </tr> <tr> <td>$0.15 < D \leq 0.20$</td> <td>1</td> <td></td> <td>*</td> </tr> <tr> <td>$0.20 < D$</td> <td>0</td> <td></td> <td>*</td> </tr> </tbody> </table> <p>$D = (Long + Short) / 2$ * : Disregard</p> <p>(2) Line Shape</p> <table border="1"> <thead> <tr> <th colspan="2">Zone</th> <th colspan="3">Acceptable Number</th> </tr> <tr> <th>X(mm)</th> <th>Y(mm)</th> <th>A</th> <th>B</th> <th>C</th> </tr> </thead> <tbody> <tr> <td>-</td> <td>$W \leq 0.01$</td> <td>*</td> <td></td> <td>*</td> </tr> <tr> <td>$L \leq 2.0$</td> <td>$W \leq 0.02$</td> <td>2</td> <td></td> <td>*</td> </tr> <tr> <td>$L \leq 1.0$</td> <td>$W \leq 0.03$</td> <td>1</td> <td></td> <td>*</td> </tr> <tr> <td>$L > 2.0$</td> <td>-</td> <td>0</td> <td></td> <td>*</td> </tr> <tr> <td>-</td> <td>$W > 0.03$</td> <td colspan="3">In the same way (1)</td> </tr> </tbody> </table> <p>X: Length Y: Width * : Disregard</p>	Zone Dimension (mm)	Acceptable Number			A	B	C	$D \leq 0.10$	*		*	$0.10 < D \leq 0.15$	2		*	$0.15 < D \leq 0.20$	1		*	$0.20 < D$	0		*	Zone		Acceptable Number			X(mm)	Y(mm)	A	B	C	-	$W \leq 0.01$	*		*	$L \leq 2.0$	$W \leq 0.02$	2		*	$L \leq 1.0$	$W \leq 0.03$	1		*	$L > 2.0$	-	0		*	-	$W > 0.03$	In the same way (1)		
Zone Dimension (mm)	Acceptable Number																																																											
	A	B	C																																																									
$D \leq 0.10$	*		*																																																									
$0.10 < D \leq 0.15$	2		*																																																									
$0.15 < D \leq 0.20$	1		*																																																									
$0.20 < D$	0		*																																																									
Zone		Acceptable Number																																																										
X(mm)	Y(mm)	A	B	C																																																								
-	$W \leq 0.01$	*		*																																																								
$L \leq 2.0$	$W \leq 0.02$	2		*																																																								
$L \leq 1.0$	$W \leq 0.03$	1		*																																																								
$L > 2.0$	-	0		*																																																								
-	$W > 0.03$	In the same way (1)																																																										
2	Air Bubbles (between glass and polarizer)	<table border="1"> <thead> <tr> <th rowspan="2">Zone Dimension (mm)</th> <th colspan="3">Acceptable Number</th> </tr> <tr> <th>A</th> <th>B</th> <th>C</th> </tr> </thead> <tbody> <tr> <td>$D \leq 0.10$</td> <td>*</td> <td></td> <td>*</td> </tr> <tr> <td>$0.10 < D \leq 0.15$</td> <td>1</td> <td></td> <td>*</td> </tr> <tr> <td>$0.15 < D \leq 0.20$</td> <td>1</td> <td></td> <td>*</td> </tr> <tr> <td>$D < 0.20$</td> <td>0</td> <td></td> <td>*</td> </tr> </tbody> </table> <p>* : Disregard</p>	Zone Dimension (mm)	Acceptable Number			A	B	C	$D \leq 0.10$	*		*	$0.10 < D \leq 0.15$	1		*	$0.15 < D \leq 0.20$	1		*	$D < 0.20$	0		*																																			
Zone Dimension (mm)	Acceptable Number																																																											
	A	B	C																																																									
$D \leq 0.10$	*		*																																																									
$0.10 < D \leq 0.15$	1		*																																																									
$0.15 < D \leq 0.20$	1		*																																																									
$D < 0.20$	0		*																																																									

No.	Parameter	Criteria										
3	The Shape of Dot	(1) Pin Hole:  <table border="1" data-bbox="845 219 1428 380"> <thead> <tr> <th>Dimension</th> <th>Acceptable Number</th> </tr> </thead> <tbody> <tr> <td>$D \leq 0.1$</td> <td>Less than 1 piece / dot less than 3 pieces/ sell</td> </tr> <tr> <td>$0.1 < D \leq 0.2$</td> <td>0</td> </tr> </tbody> </table> <p style="text-align: center;">$D = (\text{Long} + \text{Short}) / 2$</p>	Dimension	Acceptable Number	$D \leq 0.1$	Less than 1 piece / dot less than 3 pieces/ sell	$0.1 < D \leq 0.2$	0				
		Dimension	Acceptable Number									
$D \leq 0.1$	Less than 1 piece / dot less than 3 pieces/ sell											
$0.1 < D \leq 0.2$	0											
(2) Lacking, Deformation  <table border="1" data-bbox="821 828 1404 985"> <thead> <tr> <th>Dimension</th> <th>Acceptable Number</th> </tr> </thead> <tbody> <tr> <td>A</td> <td>Should not be connected to next dot</td> </tr> <tr> <td>$0.1 < B \leq 0.15$</td> <td>One or less 1 piece / dot</td> </tr> </tbody> </table>	Dimension	Acceptable Number	A	Should not be connected to next dot	$0.1 < B \leq 0.15$	One or less 1 piece / dot						
Dimension	Acceptable Number											
A	Should not be connected to next dot											
$0.1 < B \leq 0.15$	One or less 1 piece / dot											
4	Contrast Variation	Not to be conspicuous defects (Without C Zone)										
5	Illumination black and white spot (Mode changes by Voltage Transformation)	<table border="1" data-bbox="606 1064 1228 1310"> <thead> <tr> <th>Zone</th> <th>Acceptable Number</th> </tr> </thead> <tbody> <tr> <td>Dimension(mm) $D \leq 0.10$</td> <td>Disregard</td> </tr> <tr> <td>$0.10 < D \leq 0.15$</td> <td>2</td> </tr> <tr> <td>$0.15 < D \leq 0.20$</td> <td>1</td> </tr> <tr> <td>$0.20 < D$</td> <td>0</td> </tr> </tbody> </table>	Zone	Acceptable Number	Dimension(mm) $D \leq 0.10$	Disregard	$0.10 < D \leq 0.15$	2	$0.15 < D \leq 0.20$	1	$0.20 < D$	0
Zone	Acceptable Number											
Dimension(mm) $D \leq 0.10$	Disregard											
$0.10 < D \leq 0.15$	2											
$0.15 < D \leq 0.20$	1											
$0.20 < D$	0											
6	Color Variation	Not to be conspicuous defects. (Without C Zone)										
7	Polarizer Scratches, Stroke marks	Not to be conspicuous defects.(Without C Zone)										
8	Polarizer Dirts	If the stains are removed easily from LCDP surface, the module is not defective.										
9	Distance between Different Foreign Substance Defects	$D \leq 0.2$: 20mm or more. (Without C Zone)										
10	Overcoat Pin Hole	$D \leq 0.4$ Disregard $0.4 < D \leq 0.6$ 2 pieces										

7. Code System of Production Lot

The production lot of module is specified some of the following.



8. Type Number

The type number of module is specified as follows.

F-51373GNC-LW-AJ

9. Applying Precautions

Please contact us when questions and/or new problems not specified in this Specifications arise.

10. Precautions Relating Product Handling

The Following precautions will guide you in handling our product correctly.

- 1) Liquid crystal display devices
 1. The liquid crystal display device panel used in the liquid crystal display module is made of plate glass. Avoid any strong mechanical shock. Should the glass break handle it with care.
 2. The polarizer adhering to the surface of the LCD is made of a soft material. Guard against scratching it.
- 2) Care of the liquid crystal display module against static electricity discharge.
 1. When working with the module, be sure to ground your body and any electrical equipment you may be using. We strongly recommend the use of anti static mats (made of rubber), to protect work tables against the hazards of electrical shock.
 2. Avoid the use of work clothing made of synthetic fibers. We recommend cotton clothing or other conductivity-treated fibers.
 3. Slowly and carefully remove the protective film from the LCD module, since this operation can generate static electricity.
- 3) When the LCD module alone must be stored for long periods of time:
 1. Protect the modules from high temperature and humidity.
 2. Keep the modules out of direct sunlight or direct exposure to ultraviolet rays.
 3. Protect the modules from excessive external forces.
- 4) Use the module with a power supply that is equipped with an overcurrent protector circuit, since the module is not provided with this protective feature.
- 5) Do not ingest the LCD fluid itself should it leak out of a damaged LCD module. Should hands or clothing come in contact with LCD fluid, wash immediately with soap.
- 6) Conductivity is not guaranteed for models that use metal holders where solder connections between the metal holder and the PCB are not used. Please contact us to discuss appropriate ways to assure conductivity.
- 7) For models which use CFL:
 1. High voltage of 1000V or greater is applied to the CFL cable connector area. Care should be taken not to touch connection areas to avoid burns.
 2. Protect CFL cables from rubbing against the unit and thus causing the wire jacket to become worn.
 3. The use of CFLs for extended periods of time at low temperatures will significantly shorten their service life.
- 8) For models which use touch panels:
 1. Do not stack up modules since they can be damaged by components on neighboring modules.
 2. Do not place heavy objects on top of the product. This could cause glass breakage.
- 9) For models which use COG, TAB, or COF:
 1. The mechanical strength of the product is low since the IC chip faces out unprotected from the rear. Be sure to protect the rear of the IC chip from external forces.
 2. Given the fact that the rear of the IC chip is left exposed, in order to protect the unit from electrical damage, avoid installation configurations in which the rear of the IC chip runs the risk of making any electrical contact.

10) Models which use flexible cable, heat seal, or TAB:

1. In order to maintain reliability, do not touch or hold by the connector area.
2. Avoid any bending, pulling, or other excessive force, which can result in broken connections.

11) have an adverse effect on connecting parts (LCD panel-TCP / HEAT SEAL / FPC / etc., PCB-TCP / HEAT SEAL / FPC etc., TCP-HEAT SEAL, TCP-FPC, HEAT SEAL-FPC, etc.,) depending on its materials.

Please check and evaluate these materials carefully before use.

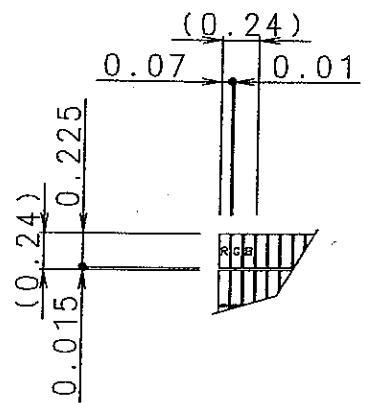
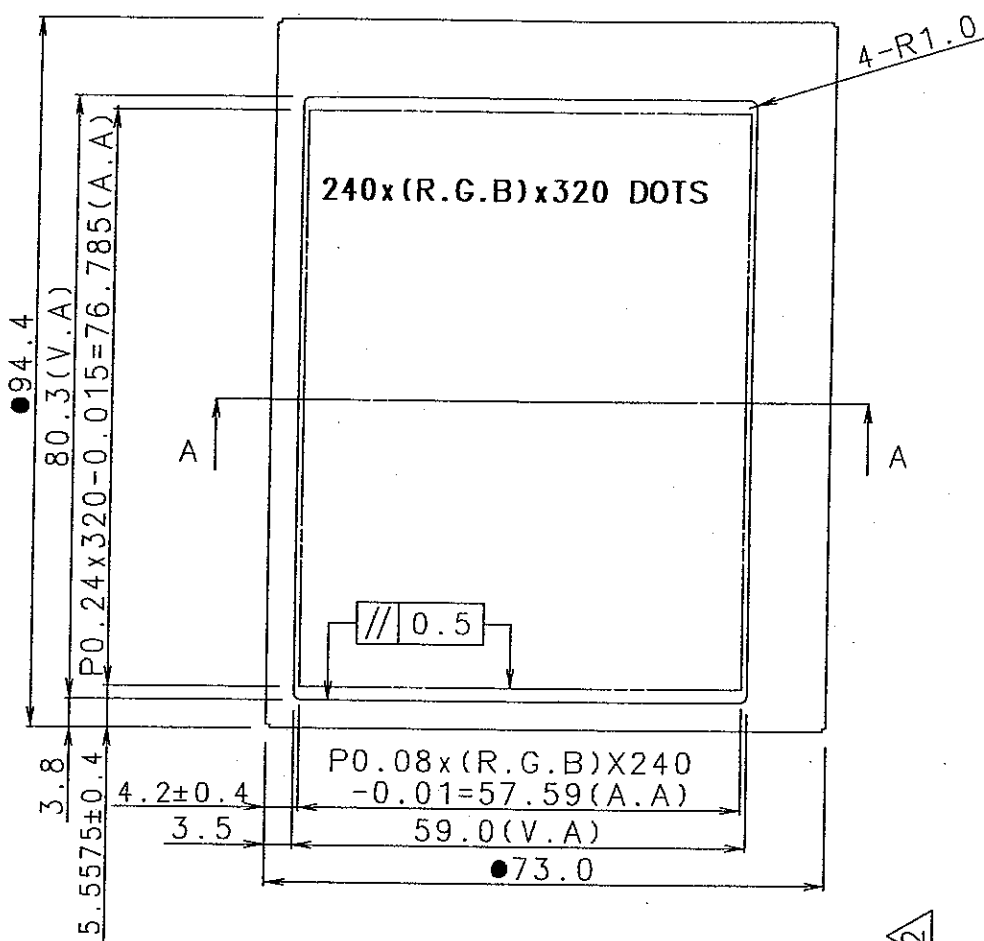
12) In case of acrylic plate is attached to front side of LCD panel, cloudiness (very small cracks) can occur on acrylic plate, being influenced by some components generated from polarizer film..

Please check and evaluate those acrylic materials carefully before use.

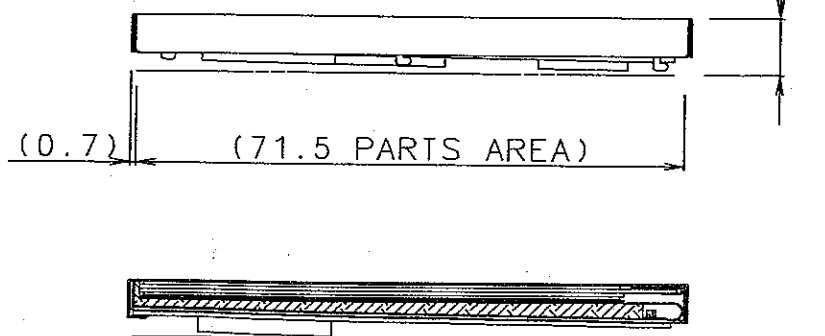
11. Warranty

This product has been manufactured to your company's specifications as a part for use in your company's general electronic products. It is guaranteed to perform according to delivery specifications. For any other use apart from general electronic equipment, we cannot take responsibility if the product is used in medical devices, nuclear power control equipment, aerospace equipment, fire and security systems, or any other applications in which there is a direct risk to human life and where extremely high levels of reliability are required. If the product is to be used in any of the above applications, we will need to enter into a separate product liability agreement.

1. We cannot accept responsibility for any defect, which may arise from additional manufacturing of the product (including disassembly and reassembly), after product delivery.
2. We cannot accept responsibility for any defect, which may arise after the application of strong external force to the product.
3. We cannot accept responsibility for any defect, which may arise due to the application of static electricity after the product has passed your company's acceptance inspection procedures.
4. When the product is in CFL models, CFL service life and brightness will vary According to the performance of the inverter used, leaks, etc. We cannot accept responsibility for product performance, reliability, or defect, which may arise.
5. We cannot accept responsibility for intellectual property of a third party, which may arise through the application of our product to your assembly with exception to those issues relating directly to the structure or method of manufacturing of our product.
6. Optrex will not be held responsible for any quality guarantee issue for defect products judged as Optrex-origin longer than 2 (two) years from Optrex production or 1 (one) year from Optrex, Optrex America, Optrex Europe, Display LC delivery which ever comes later.



DOT DETAIL (S=20:1)



SECTION A-A