

Features

- 16 cm [6.4"] display size
- Wide viewing angle
(Horizontal: 130° Vertical: 105°)
- Compact & flat type utilizing ACF-COG technology
- Wide temperature range
(Topr: -30°C to +85°C, Tstg: -40°C to +95°C)

Specifications

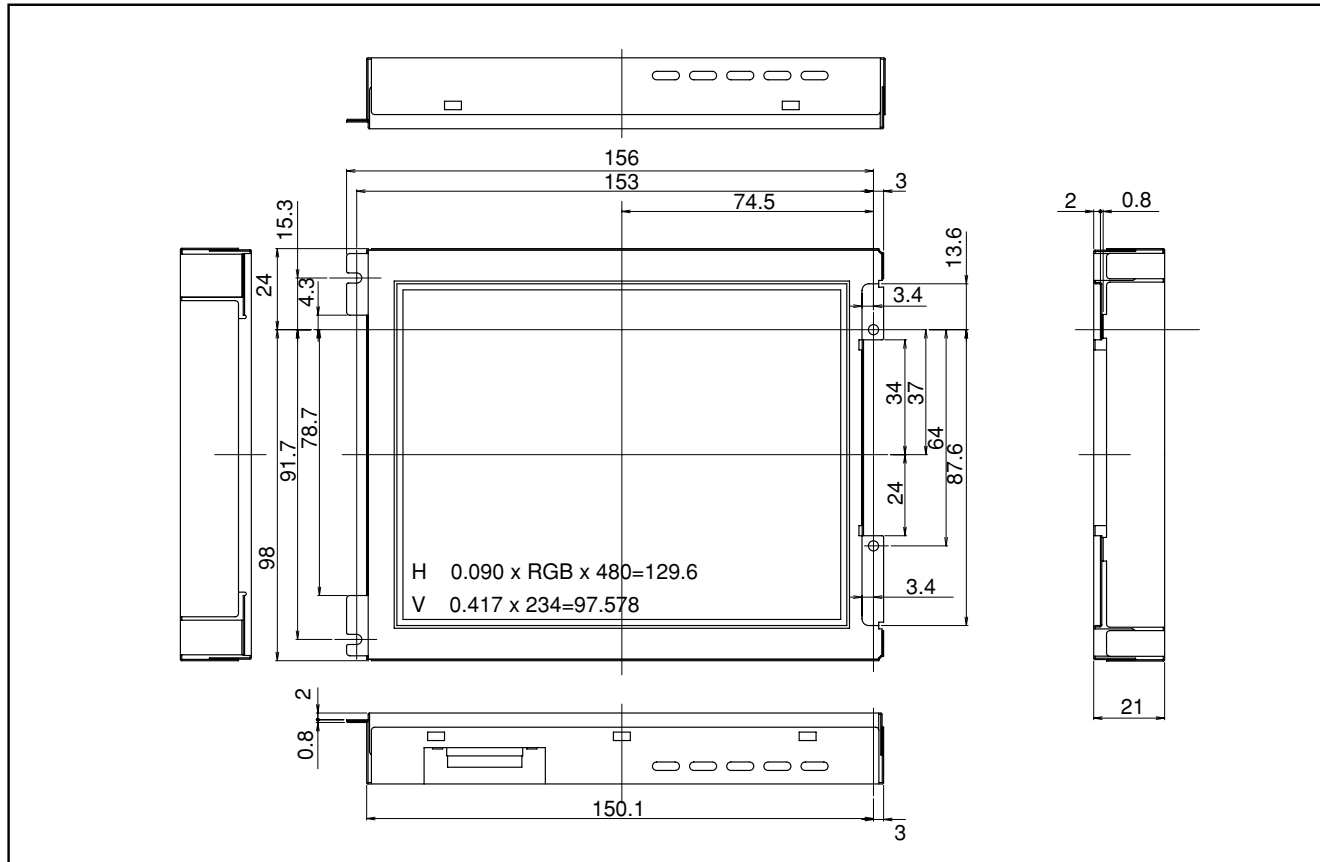
Parameter		Unit
Display size	16 [6.4]	cm ["]
No. of pixels	112 320	pixel
Dot format (H x V)	480 x RGB x 234	dot
Dot pitch (H x V)	0.09 x 0.417	mm
Active area (H x V)	129.6 x 97.6	mm
Input signal system	NTSC/PAL*1	-
Input video signal	Composite	-
Viewing direction	6:00	-

Parameter		Unit
Backlight type	1CCFT	-
Brightness	350	cd/m ²
Power consumption	5.0	W
Outline dimensions (W x H x D)	153.0 x 122.0 x 21.0	mm
Weight	365	g
Operating temperature	-30 to +85	°C
Storage temperature	-40 to +95	°C

*1...MBK-PAL system is adopted as PAL. LCD panel has 234 scanning lines, and displays a picture of 273 virtual scanning lines.
(Video-signals are deleted for certain intervals.)

Outline Dimensions

unit : mm



In the absence of confirmation by device specification sheets, SHARP takes no responsibility for any defects that may occur in using any SHARP devices shown in catalogs, data books, etc. Contact SHARP in order to obtain the latest device specification sheets before using any SHARP device. Specifications are subject to change without notice for improvement.