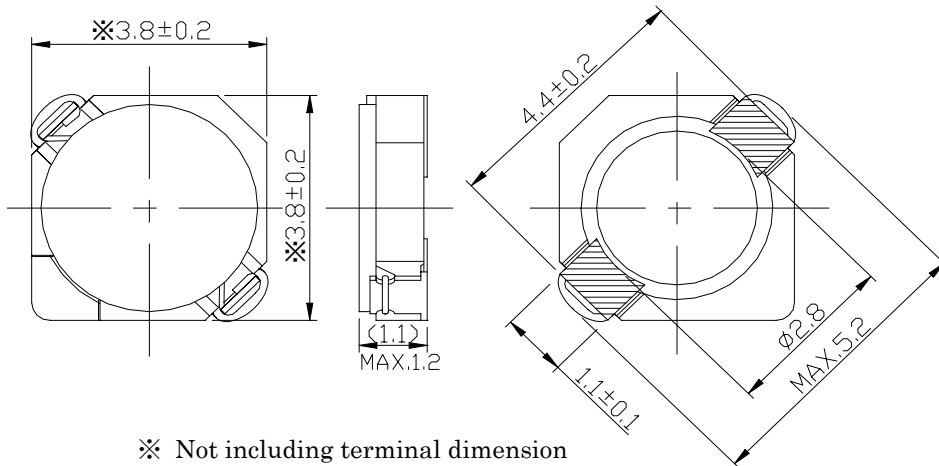
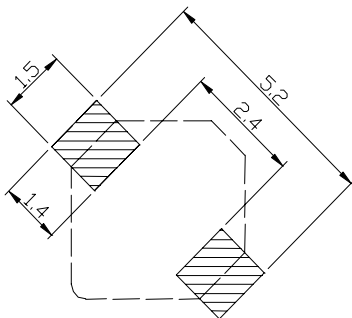


Type: CDRH3D11, CDRH3D11/HP
◆ Product Description

- 4.0×4.0mm Max.(L×W),1.2mm Max.Height.
- Both standard type CDRH3D11 and high power type CDRH3D11/HP are available.
- Inductance range: 2.7~39 μ H(CDRH3D11);0.6~22 μ H(CDRH3D11/HP).
- Rated current range:0.14~0.53A(CDRH3D11);0.33~1.8A(CDRH3D11/HP).
- In addition to the standards versions shown here, custom inductors are also available to meet your exact requirements.


◆ Feature

- Magnetically shielded construction.
- Ideally used in Mobilephone,PDA,MP3,DSC/DVC,Portable DVD,etc as DC-DC Converter inductors.
- RoHS Compliance.

◆ Dimensions (mm)

◆ Land Pattern (mm)


Type: CDRH3D11, CDRH3D11/HP
◆ Specification (CDRH3D11)

Part Name ※	Stamp	Inductance (μ H) [Within] 100kHz/1V	D.C.R.(m Ω) Max.(Typ.) (at 20°C)	Saturation Current (A) ※1	Temperature Rise current (A) ※2
CDRH3D11NP-2R7N□	A	2.7 \pm 30%	78(60)	0.53	1.82
CDRH3D11NP-4R7N□	B	4.7 \pm 30%	123(95)	0.40	1.38
CDRH3D11NP-6R8N□	C	6.8 \pm 30%	180(150)	0.34	1.05
CDRH3D11NP-8R2N□	D	8.2 \pm 30%	204(170)	0.32	0.93
CDRH3D11NP-10 \emptyset N□	E	10 \pm 30%	240(200)	0.28	0.90
CDRH3D11NP-12 \emptyset N□	F	12 \pm 30%	276(230)	0.25	0.81
CDRH3D11NP-15 \emptyset N□	G	15 \pm 30%	372(310)	0.23	0.68
CDRH3D11NP-18 \emptyset N□	H	18 \pm 30%	468(390)	0.21	0.58
CDRH3D11NP-22 \emptyset N□	I	22 \pm 30%	540(450)	0.19	0.53
CDRH3D11NP-27 \emptyset N□	J	27 \pm 30%	726(605)	0.17	0.48
CDRH3D11NP-33 \emptyset N□	K	33 \pm 30%	822(685)	0.15	0.41
CDRH3D11NP-39 \emptyset N□	L	39 \pm 30%	942(785)	0.14	0.40

◆ Specification (CDRH3D11/HP)

Part Name ※	Stamp	Inductance (μ H) [Within] 100kHz/1V	D.C.R.(m Ω) Max.(Typ.) (at 20°C)	Saturation Current (A) ※1		Temperature Rise current (A) ※2
				(at 20°C)	(at 105°C)	
CDRH3D11HPNP- \emptyset R6N□	A	0.6 \pm 25%	59(45)	2.90	2.10	1.80
CDRH3D11HPNP-1R2N□	B	1.2 \pm 25%	82(63)	2.00	1.50	1.70
CDRH3D11HPNP-1R5N□	C	1.5 \pm 25%	104(80)	1.85	1.40	1.45
CDRH3D11HPNP-2R2N□	D	2.2 \pm 25%	143(110)	1.60	1.20	1.15
CDRH3D11HPNP-3R3N□	E	3.3 \pm 25%	182(140)	1.25	0.90	0.95
CDRH3D11HPNP-4R7N□	F	4.7 \pm 25%	234(180)	1.00	0.70	0.90
CDRH3D11HPNP-6R8N□	G	6.8 \pm 25%	377(290)	0.85	0.63	0.70
CDRH3D11HPNP-10 \emptyset N□	H	10.0 \pm 25%	413(330)	0.80	0.60	0.60
CDRH3D11HPNP-12 \emptyset N□	I	12.0 \pm 25%	585(470)	0.64	0.45	0.48
CDRH3D11HPNP-15 \emptyset N□	J	15.0 \pm 25%	653(520)	0.58	0.42	0.45
CDRH3D11HPNP-18 \emptyset N□	K	18.0 \pm 25%	888(710)	0.52	0.40	0.40
CDRH3D11HPNP-22 \emptyset N□	L	22.0 \pm 25%	1012(810)	0.45	0.35	0.33

※ Description of part name

 CDRH3D11HPNP- \emptyset R6N□

— B Box
 — C Carrier Tape

※1.Saturation Current: The DC current at which the inductance decreases to 65% of it's nominal value

 ※2 Temperature rise current:The DC current at which the temperature rise is $\Delta t=40^{\circ}\text{C}$.($T_a=20^{\circ}\text{C}$)