

## Features

- 9 mm Round / Single-Turn / Cermet Industrial / Open Frame
- Both sides adjust
- Cross slot and hexagon adjustment designs
- Horizontal and vertical mounting styles
- Dust resistant/splash resistant covers



Models 3309-2 & 3309-3 are currently available, although not recommended for new designs. Model 3309-1 is preferred.

- PC board stand-offs and retention feature
- RoHS compliant\*

## 3309 - 9 mm Round Trimming Potentiometer

### Electrical Characteristics

Standard Resistance Range ..... 100 ohms to 2 megohms  
 (see standard resistance table)  
 Resistance Tolerance .....  $\pm 25\%$  std.  
 Absolute Minimum Resistance ..... 2 % max. ( $\leq 2K = 30$  ohms)  
 Contact Resistance Variation .. 3 % max.  
 Resolution ..... Essentially infinite  
 Adjustment Angle ..... 235 ° nom.

### Environmental Characteristics

Power Rating (250 volts max.)  
 70 °C ..... 0.5 watt  
 Temperature Range ... -25 °C to +100 °C  
 Temperature Coefficient ...  $\pm 250$  ppm/°C  
 Load Life ..... 1,000 hours 0.5 watt  
 @ 70 °C (5 %  $\Delta TR$ )

### Physical Characteristics

Mechanical Angle ..... 260 °  $\pm 10$  °  
 Torque (Operating) ..... 5 oz-in. max.  
 Stop Strength ..... 11.0 oz -in. min.  
 Terminals ..... Solderable pins  
 Marking ..... Manufacturer's trademark, resistance code  
 Standard Packaging .... 200 pcs. per bag  
 Adjustment Tool ..... H-90

Aqueous cleaning not recommended

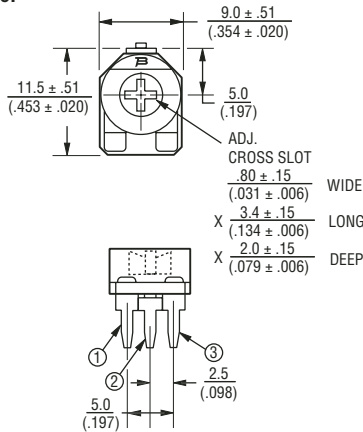
### How To Order

**3309 W - 2 - 103**

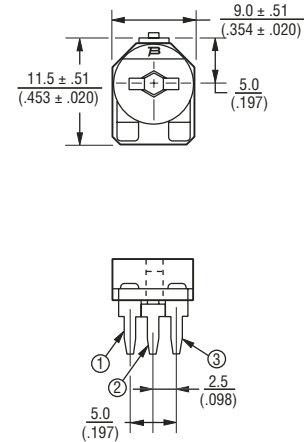
Model \_\_\_\_\_  
 Style \_\_\_\_\_  
 Rotor Style \_\_\_\_\_  
 -1 = Standard  
 -2 = Cross Slot/Single Slot Rear Adjust  
 -3 = 2 mm Hex Thru Hole  
 Resistance Code \_\_\_\_\_

### Product Dimensions

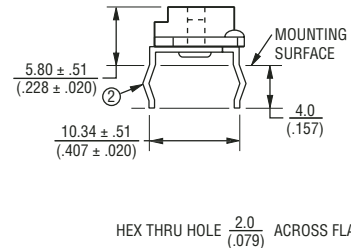
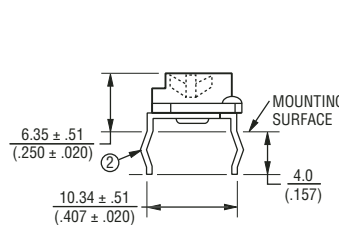
Top/Bottom Adjust  
 Common Dimensions  
 3309P



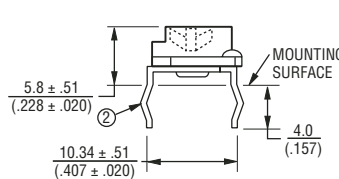
3309P-3 Both Sides Adjust Hex



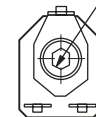
3309P-1 Top Adjust



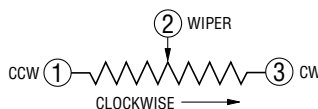
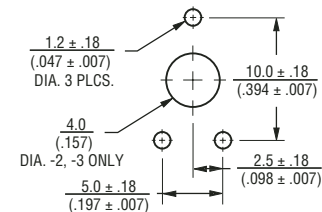
3309P-2 Both Sides Adjust/Cross Slot



HEX THRU HOLE  $2.0$  (0.079) ACROSS FLATS



SUGGESTED PWB LAYOUT - 3309P



\*RoHS Directive 2002/95/EC Jan 27 2003 including Annex.  
 Specifications are subject to change without notice.  
 Customers should verify actual device performance in their specific applications

DIMENSIONS:  $\frac{MM}{(INCHES)}$

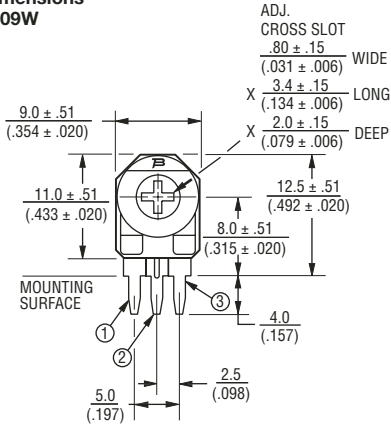
TOLERANCES:  $\pm \frac{0.25}{(0.010)}$  EXCEPT WHERE NOTED

# 3309 - 9 mm Round Trimming Potentiometer

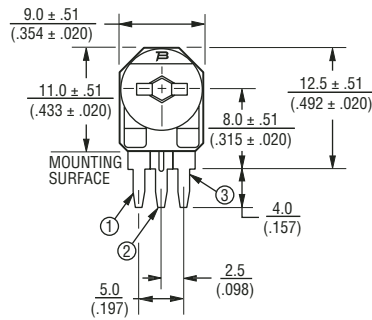
**BOURNS®**

## Product Dimensions

### Side Adjust Common Dimensions 3309W



### 3309W-3 Both Sides Adjust Hex

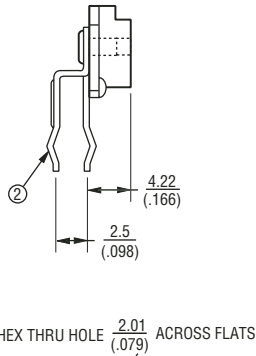
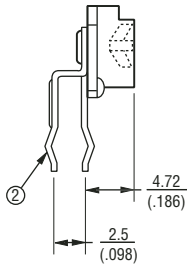


## Standard Resistance Table

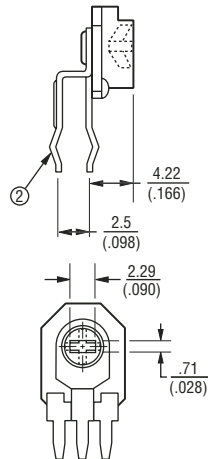
Resistance (Ohms)	Resistance Code
100	101
200	201
500	501
<b>1,000</b>	<b>102</b>
<b>2,000</b>	<b>202</b>
<b>5,000</b>	<b>502</b>
<b>10,000</b>	<b>103</b>
<b>20,000</b>	<b>203</b>
<b>25,000</b>	<b>253</b>
<b>50,000</b>	<b>503</b>
<b>100,000</b>	<b>104</b>
200,000	204
250,000	254
500,000	504
1,000,000	105
2,000,000	205

Popular distribution resistance values listed in boldface.

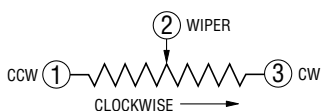
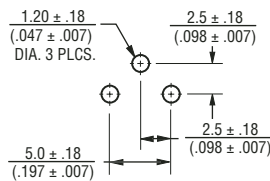
### 3309W-1 Single Side (Front) Adjust



### 3309W-2 Both Sides Adjust - Cross Slot



## SUGGESTED PWB LAYOUT - 3309W



DIMENSIONS:  $\frac{\text{MM}}{\text{(INCHES)}}$   
 TOLERANCES:  $\pm \frac{0.25}{(.010)}$  EXCEPT WHERE NOTED

REV. 10/08

Specifications are subject to change without notice. Customers should verify actual device performance in their specific applications