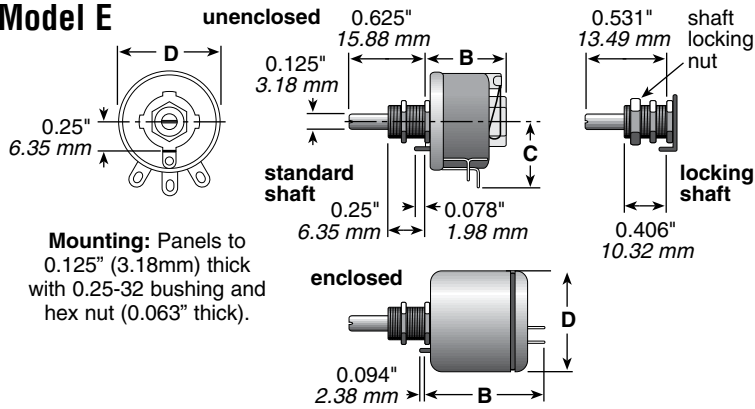
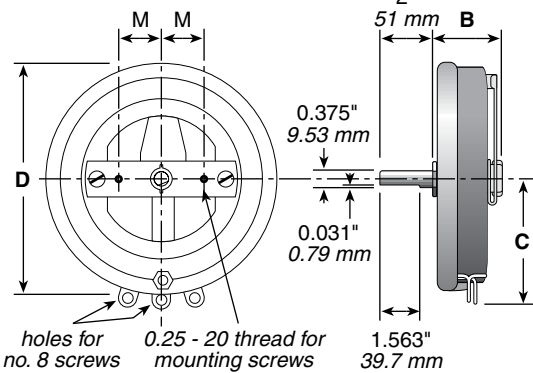


## Model E



**Mounting:** Panels to 0.125" (3.18mm) thick with 0.25-32 bushing and hex nut (0.063" thick).

## Models P, N, R, U



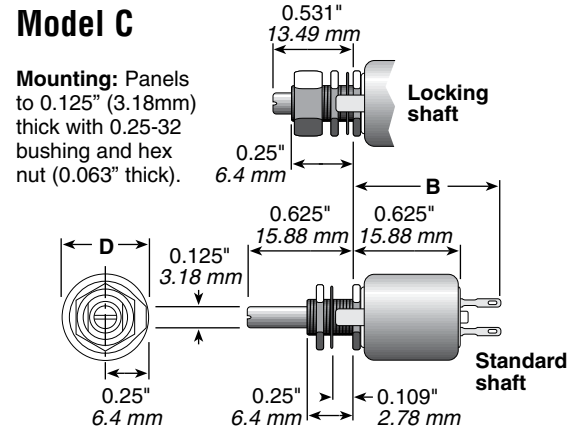
**Dimension "M"**

P	0.875"	22.23 mm
N	1.188"	30.16 mm
R	1.5"	38.1 mm
U	3"	76.2 mm

**Mounting:** Panels to 1.25" (31.75mm) thick with 0.25-20 flat-head screws.

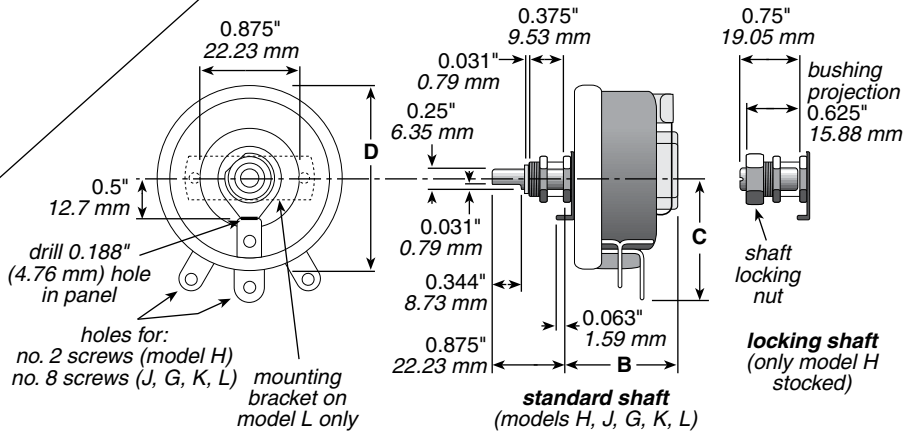
# Rheostats (Potentiometers) Wirewound

## Model C



**Mounting:** Panels to 0.125" (3.18mm) thick with 0.25-32 bushing and hex nut (0.063" thick).

## Models H, J, G, K, L



**Mounting:** Panels to 0.25" (6.35mm) thick with 0.375-32 bushing and hex nut (0.094" thick) (or with 10-32 x 0.75 F.H. screws for model L only).

Dimensions for reference only; consult factory for details.

Since all rheostats/potentiometers are electro-mechanical devices, they are subject to mechanical wear and, therefore, have a finite life.

Models H, J, K, L and N are listed under UL Reexamination Service File No. E-10946 and CSA File No. 21309 unless noted otherwise.

See page 82 for knobs, dials, and other hardware

All rheostats are 10% tolerance.

### ORDERING INFORMATION

E = RoHS compliant

Series: Rheostats, Wirewound, Potentiometers

**RCSR50E**

Code	Watts	Model	Shaft	Core	Resistance Value*
CL =	7.5	C	Locking	Enclosed	R50 = 0.50Ω
CS =	7.5	C	Standard	Enclosed	1R0 = 1Ω
EE =	12.5	E	Standard	Enclosed	7R5 = 7.5Ω
EL =	12.5	E	Locking	Open	250 = 250Ω
ES =	12.5	E	Standard	Open	1K0 = 1,000Ω
GS =	75	G	Standard	Open	1K75 = 1,750Ω
HL =	25	H	Locking	Open	4K5 = 4,500Ω
HS =	25	H	Standard	Open	50K = 50,000Ω
JS =	50	J	Standard	Open	
KS =	100	K	Standard	Open	
LS =	150	L	Standard	Open	
NS =	300	N	Standard	Open	
PS =	225	P	Standard	Open	
RS =	500	R	Standard	Open	
US =	1000	U	Standard	Open	

\*Check Table for Standard Resistance Values and Maximum Current Values

Model	Type	Watts	Ohmic range	Core	Max. Voltage (RMS)*	Behind panel "B" (In./mm)	Diameter "D" (In./mm)	Dimension "C" (In./mm)	Shaft torque	Rotation (±5°)
E	RES/REL	12.5	1.0-15K	open	305	0.688/17.46	0.875/ 22.23	0.594/15.08	1-6 oz. in.	300°
H	RHS/RHL	25	1.0-25K	open	500	1.375/34.93	1.560/ 39.62	0.940/23.88	0.25-0.5 lb. in.	300°
J	RJS	50	0.5-50K	open	750	1.375/34.93	2.31 / 58.67	1.56 /39.62	0.25-2 lb. in.	300°
G	RGS	75	0.5-50K	open	900	1.750/44.45	2.75 / 69.25	1.78 /45.21	0.5-2 lb. in.	300°
K	RKS	100	0.5-50K	open	1000	1.750/44.45	3.125/ 79.38	1.91 /48.51	0.5-2 lb. in.	300°
L	RLS	150	0.5-50K	open	1200	2.000 / 50.8	4.00 /101.60	2.28 /57.91	0.5-3 lb. in.	300°
P	RPS	225	1.0-30K	open	1300	2.125/53.98	5.00 /127.00	2.97 /75.44	2.5-4 lb. in.	310°
N	RNS	300	1.0-50K	open	1225	2.375/60.33	6.00 /152.40	3.44 /87.38	2.5-5 lb. in.	320°
R	RRS	500	1.0-20K	open	1450	2.125/53.98	8.00 /203.20	4.31/109.47	4.5-7 lb. in.	325°
U	RUS	1000	1.0-20K	open	1600	3.000 / 76.2	12.00 /304.80	6.38/162.05	3.5-7 lb. in.	335°
C	RCS/RCL	7.5	10.0-5K	enclosed	305	0.875/22.23	0.515/ 13.08	—	0.25-3 oz. in.	300°
E	REE	12.5	1.0-15K	enclosed	305	1.219/30.96	1.047/ 26.59	—	1-6 oz. in.	300°

- Models H, J, G, and K also available in enclosed versions.
- See Catalog #203 for complete details.
- RoHS compliant product available. Add "E" suffix to part number to specify.
- Made-to-order rheostats available: Contact nearest Ohmite sales office.
- \* Voltage rating dependent on resistance value.

STANDARD PART NUMBERS FOR RHEOSTATS

Ohmic value	Part No. Prefix □ Suffix □	7.5W Model C			12.5W Model E				25W Model H			50W Model J	75W Model G	100W Model K	150W Model L	225W Model P	300W Model N	500W Model R	1000W Model U						
		Std. shaft Locking	Amps max.	RES	REL	REE	Amps max.	RHS	RHL	Amps max.	RJS	Amps max.	RGS	Amps max.	RKS	Amps max.	RLS	Amps max.	RPS	Amps max.	RNS	Amps max.	RRS	Amps max.	RUS
0.5	R50									✓	10.0	✓	12.3	✓	14.1	✓	17.3	✓	15.0	✓	17.32	✓	22.3	✓	31.6
1	1R0									✓	7.07	✓	8.66	✓	10	✓	12.3	✓	15.0	✓	17.32	✓	22.3	✓	31.6
1.5	1R5																								
2	2R0																								
2.5	2R5																								
3	3R0																								
4	4R0																								
5	5R0																								
6	6R0																								
7.5	7R5																								
8	8R0																								
10	10R	✓	0.86																						
12	12R																								
12.5	12R5																								
15	15R	✓	0.71																						
16	16R																								
22	22R																								
25	25R	✓	0.55																						
35	35R	✓	0.46																						
40	40R																								
50	50R	✓	0.39																						
75	75R	✓	0.32																						
80	80R																								
100	100R	✓	0.27																						
125	125R	✓	0.27																						
150	150R	✓	0.22																						
160	160R																								
175	175R																								
200	200R	✓	0.19																						
225	225R																								
250	250R	✓	0.17																						
300	300R																								
325	325R																								
350	350R	✓	0.15																						
400	400R																								
500	500R	✓	0.12																						
600	600R																								
700	700R																								
750	750R	✓	0.10																						
800	800R																								
900	900R																								
1000	1K0	✓	0.086																						
1200	1K2																								
1250	1K25																								
1500	1K5	✓	0.071																						
1600	1K6																								
1750	1K75																								
1800	1K8																								
2000	2K0																								
2250	2K25																								
2500	2K5	✓	0.055																						
3000	3K0																								
3500	3K5	✓	0.046																						
4500	4K5																								
5000	5K0	✓	0.039																						
7500	7K5																								
8000	8K0																								
10000	10K																								
12500	12K5																								
15000	15K																								
20000	20K																								
25000	25K																								
30000	30K																								
40000	40K																								
50000	50K																								

✓ = Standard values; check availability  
 Rheostats are silicone-ceramic coated at and above the following ohmic values:  
 Model C: all                              Model G: 5000  
 Model E: 3500                            Model K: 7500  
 Model H: 7500                            Model L: 7500  
 Model J: 15,000

Check product availability at  
[www.ohmite.com](http://www.ohmite.com)