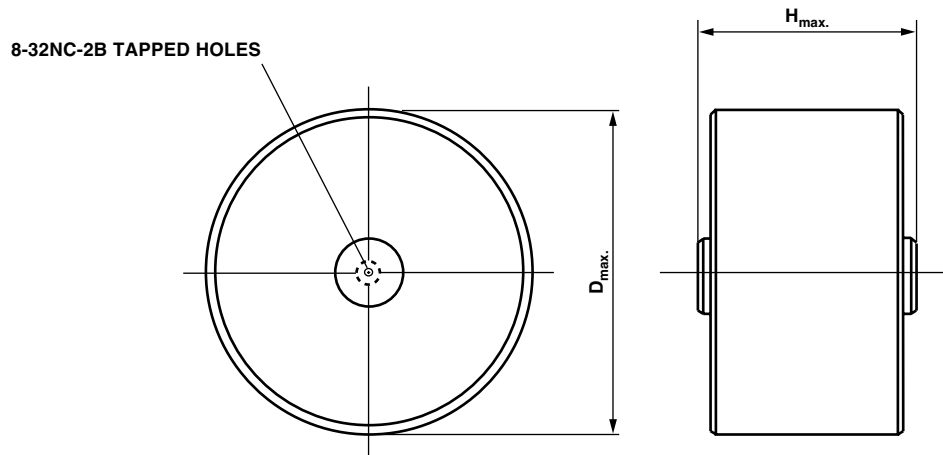


## High Voltage Disc Capacitors, Screw Mounting

**715C15DK... 15 kV<sub>DC</sub>**  
**715C20DK... 20 kV<sub>DC</sub>**  
**715C30DK... 30 kV<sub>DC</sub>**  
**715C40DK... 40 kV<sub>DC</sub>**



**Notes:**

- Screw torque limit must be 12 inch pounds. Use #8-32, 3/16" long screw to prevent bottoming
- Dimensions in millimeters (inches)
- M5 metric terminals available on request, consult factory

**DIELECTRIC STRENGTH**

150 % of rated voltage, charging current limited to 50 mA

**DISSIPATION FACTOR  $\tan\delta$**

Y5U:  $\leq 20 \times 10^{-3}$  (1 kHz)

**INSULATION RESISTANCE**

Min. 200 000 M $\Omega$  or 1000  $\Omega$ F min. at 25 °C

**CORONA LIMIT**

< 5 pC at 50 % rated AC voltage

**OPERATING TEMPERATURE RANGE**

- 30 °C to + 85 °C

**MATERIAL**

Capacitor elements made from Class 3 ceramic in a molded epoxy case. Screw terminals: brass, silver plated

**MARKING**

Type designator, capacitance value, rated DC voltage, ceramic material code, production date code, CERAMITE logo

**POWER DISSIPATION**

Limit to 25 °C rise above ambient, measured on case

**ORDERING INFORMATION**

715C15DKD20	15 kV <sub>DC</sub>	2000 pF	- 20 + 80 %	Y5U
MODEL	RATED VOLTAGE	CAPACITANCE VALUE	TOLERANCE	CERAMIC

MODEL	CERAMIC	CAPACITANCE VALUES [pF]	RATED VOLTAGE [kV <sub>Dc</sub> ]	RATED VOLTAGE [kV <sub>RMS</sub> ]	D <sub>max.</sub>	H <sub>max.</sub>
<b>715C15DK...</b>						
715C15DKD15	Y5U	1500	15	4	26.7 (1.05)	22.9 (0.90)
715C15DKD20		2000			33.0 (1.30)	22.9 (0.90)
715C15DKD33		3300			39.4 (1.55)	22.9 (0.90)
715C15DKD47		4700			33.0 (1.30)	22.9 (0.90)
715C15DKS10		10 000			45.7 (1.80)	22.9 (0.90)
<b>715C20DK...</b>						
715C20DKT50	Y5U	500	20	5	22.4 (0.88)	25.4 (1.00)
715C20DKD10		1000			33.0 (1.30)	25.4 (1.00)
715C20DKD13		1300			33.0 (1.30)	25.4 (1.00)
715C20DKD25		2500			39.4 (1.55)	25.4 (1.00)
715C20DKD33		3300			45.7(1.80)	25.4 (1.00)
715C20DKD47		4700			54.1 (2.13)	25.4 (1.00)
715C20DKD68		6800			61.5 (2.42)	25.4 (1.00)
<b>715C30DK...</b>						
715C30DKT50	Y5U	500	30	7	26.7 (1.05)	34.5 (1.36)
715C30DKD10		1000			33.0 (1.30)	30.0 (1.18)
715C30DKD25		2500			45.7 (1.80)	30.0 (1.18)
715C30DKD33		3300			54.1 (2.13)	30.0 (1.18)
715C30DKD47		4700			61.5 (2.42)	30.0 (1.18)
<b>715C40DK...</b>						
715C40DKT30	Y5U	300	40	9	22.4 (0.88)	34.5 (1.36)
715C40DKT50		500			26.7 (1.05)	34.5 (1.36)
715C40DKT78		780			33.0 (1.30)	34.5 (1.36)
715C40DKD10		1000			39.4 (1.55)	34.5 (1.36)
715C40DKD16		1600			45.7 (1.80)	34.5 (1.36)
715C40DKD25		2500			54.1 (2.13)	34.5 (1.36)
715C40DKD33		3300			58.4 (2.30)	34.5 (1.36)

**CAPACITANCE TOLERANCES:** - 20 + 80 %



## Disclaimer

All product specifications and data are subject to change without notice.

Vishay Intertechnology, Inc., its affiliates, agents, and employees, and all persons acting on its or their behalf (collectively, "Vishay"), disclaim any and all liability for any errors, inaccuracies or incompleteness contained herein or in any other disclosure relating to any product.

Vishay disclaims any and all liability arising out of the use or application of any product described herein or of any information provided herein to the maximum extent permitted by law. The product specifications do not expand or otherwise modify Vishay's terms and conditions of purchase, including but not limited to the warranty expressed therein, which apply to these products.

No license, express or implied, by estoppel or otherwise, to any intellectual property rights is granted by this document or by any conduct of Vishay.

The products shown herein are not designed for use in medical, life-saving, or life-sustaining applications unless otherwise expressly indicated. Customers using or selling Vishay products not expressly indicated for use in such applications do so entirely at their own risk and agree to fully indemnify Vishay for any damages arising or resulting from such use or sale. Please contact authorized Vishay personnel to obtain written terms and conditions regarding products designed for such applications.

Product names and markings noted herein may be trademarks of their respective owners.