

Aluminum Capacitors + 85 °C, Large Can

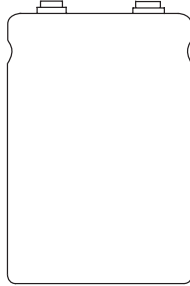


Fig. 1 Component Outlines.

FEATURES

- The industry standard for large can aluminum capacitors
- Ideal for high wattage power supplies and energy storage applications
- Capacitance values to 2.2 farads
- Largest CV available
- Highest voltage available

QUICK REFERENCE DATA	
DESCRIPTION	VALUE
Nominal case size ØD x L in mm	1.375" x 1.625" [35.0 x 41.3] to 3.00" x 8.675" [76.2 x 220.3]
Operating temperature	- 40 °C to + 85 °C
Rated capacitance range, C _R	100 µF to 2.2 µF
Tolerance on C _R	- 10% to 50 %
Rated voltage range, U _R	6.3 WVDC to 450 WVDC
Termination	screw thread
Life validation test at 85 °C	2000 hours: Δ CAP ≤ 15 % from initial measurement. Δ ESR ≤ 1.5 x initial specified limit. Δ DCL ≤ initial specified limit
Shelf life at 85 °C	500 hours: Δ CAP ≤ 15 % from initial measurement. Δ ESR ≤ 1.2 x initial specified limit. Δ DCL ≤ 2 x initial specified limit
DC leakage current	$I = K\sqrt{CV}$ K = 4.0 at + 25 °C; 32.0 at + 85 °C. I in µA, C in µF, V in Volts

RIPPLE CURRENT MULTIPLIERS			
TEMPERATURE			
AMBIENT TEMPERATURE		MULTIPLIERS	
+ 85 °C		1.0	
+ 75 °C		1.4	
+ 65 °C		1.7	
+ 55 °C and below		2.0	
FREQUENCY (Hz)			
RATED WVDC	120	400	1000 AND UP
0 - 50	1.0	1.05	1.10
51 - 100	1.0	1.10	1.15
150 - 300	1.0	1.15	1.25
301 - 450	1.0	1.20	1.30

DIMENSIONS in inches [millimeters]							
LARGE CAN CAPACITORS							
CASE CODE	NOMINAL		WITH INSULATING SLEEVE			TERMINAL SPACING M ± 0.016 [0.4]	TYPICAL WEIGHT (Grams)
	D ± 0.032 [0.8]	L ± 0.063 [1.6]	D (Max.)	L (Max.)	P TERMINAL H (Max.)		
AN	1.375 [35.0]	1.625 [41.0]	1.453 [36.9]	1.750 [44.5]	1.849 [47.0]	0.500 [12.7]	43.0
AY	1.375 [35.0]	1.875 [48.0]	1.453 [36.9]	2.000 [50.8]	1.099 [53.3]	0.500 [12.7]	54.0
AA	1.375 [35.0]	2.125 [54.0]	1.453 [36.9]	2.250 [57.2]	1.349 [59.7]	0.500 [12.7]	63.0
AM	1.375 [35.0]	2.625 [67.0]	1.453 [36.9]	2.750 [69.9]	1.849 [72.4]	0.500 [12.7]	82.0
AB	1.375 [35.0]	3.125 [79.0]	1.453 [36.9]	3.250 [82.6]	1.349 [85.1]	0.500 [12.7]	105.0
AL	1.375 [35.0]	3.625 [92.0]	1.453 [36.9]	3.750 [95.3]	1.849 [97.8]	0.500 [12.7]	122.0
AC	1.375 [35.0]	4.125 [105.0]	1.453 [36.9]	4.250 [108.0]	1.349 [110.5]	0.500 [12.7]	129.0
AD	1.375 [35.0]	4.625 [117.0]	1.453 [36.9]	4.750 [120.7]	1.849 [123.2]	0.500 [12.7]	162.0
AE	1.375 [35.0]	5.125 [130.0]	1.453 [36.9]	5.250 [133.4]	1.349 [125.9]	0.500 [12.7]	179.0
AF	1.375 [35.0]	5.625 [143.0]	1.453 [36.9]	5.750 [146.1]	1.849 [148.6]	0.500 [12.7]	201.0

DIMENSIONS in inches [millimeters]							
LARGE CAN CAPACITORS							
CASE CODE	NOMINAL		WITH INSULATING SLEEVE			TERMINAL SPACING M ± 0.016 [0.4]	TYPICAL WEIGHT (Grams)
	D ± 0.032 [0.8]	L ± 0.063 [1.6]	D (Max.)	L (Max.)	P TERMINAL H (Max.)		
EN	1.750 [44.0]	1.625 [41.0]	1.828 [46.4]	1.750 [44.5]	1.849 [47.0]	0.750 [19.1]	71.0
EY	1.750 [44.0]	1.875 [48.0]	1.828 [46.4]	2.000 [50.8]	2.099 [53.3]	0.750 [19.1]	88.0
EA	1.750 [44.0]	2.125 [54.0]	1.828 [46.4]	2.250 [57.2]	2.349 [59.7]	0.750 [19.1]	102.0
EM	1.750 [44.0]	2.625 [67.0]	1.828 [46.4]	2.750 [69.9]	2.849 [72.4]	0.750 [19.1]	133.0
EB	1.750 [44.0]	3.125 [79.0]	1.828 [46.4]	3.250 [82.6]	3.349 [85.1]	0.750 [19.1]	167.0
EL	1.750 [44.0]	3.625 [92.0]	1.828 [46.4]	3.750 [95.3]	3.849 [97.8]	0.750 [19.1]	198.0
EC	1.750 [44.0]	4.125 [105.0]	1.828 [46.4]	4.250 [108.0]	4.349 [110.5]	0.750 [19.1]	230.0
ED	1.750 [44.0]	4.625 [117.0]	1.828 [46.4]	4.750 [120.7]	4.849 [123.2]	0.750 [19.1]	252.0
EE	1.750 [44.0]	5.125 [130.0]	1.828 [46.4]	5.250 [133.4]	5.349 [135.9]	0.750 [19.1]	269.0
EF	1.750 [44.0]	5.625 [143.0]	1.828 [46.4]	5.750 [146.1]	5.849 [148.6]	0.750 [19.1]	318.0
BY	2.000 [51.0]	1.875 [48.0]	2.078 [52.8]	2.000 [50.8]	2.099 [53.3]	0.875 [22.2]	113.0
BA	2.000 [51.0]	2.125 [54.0]	2.078 [52.8]	2.250 [57.2]	2.349 [59.7]	0.875 [22.2]	133.0
BM	2.000 [51.0]	2.625 [67.0]	2.078 [52.8]	2.750 [69.9]	2.849 [72.4]	0.875 [22.2]	176.0
BB	2.000 [51.0]	3.125 [79.0]	2.078 [52.8]	3.250 [82.6]	3.349 [85.1]	0.875 [22.2]	213.0
BL	2.000 [51.0]	3.625 [92.0]	2.078 [52.8]	3.750 [95.3]	3.849 [97.8]	0.875 [22.2]	261.0
BC	2.000 [51.0]	4.125 [105.0]	2.078 [52.8]	4.250 [108.0]	4.349 [110.5]	0.875 [22.2]	381.0
BD	2.000 [51.0]	4.625 [117.0]	2.078 [52.8]	4.750 [120.7]	4.849 [123.2]	0.875 [22.2]	326.0
BE	2.000 [51.0]	5.125 [130.0]	2.078 [52.8]	5.250 [133.4]	5.349 [135.9]	0.875 [22.2]	337.0
BF	2.000 [51.0]	5.625 [143.0]	2.078 [52.8]	5.750 [146.1]	5.849 [148.6]	0.875 [22.2]	408.0
CB	2.500 [64.0]	3.125 [79.0]	2.578 [65.5]	3.250 [82.6]	N/A	1.125 [28.6]	329.0
CL	2.500 [64.0]	3.625 [92.0]	2.578 [65.5]	3.750 [95.3]	N/A	1.125 [28.6]	400.0
CC	2.500 [64.0]	4.125 [105.0]	2.578 [65.5]	4.250 [108.0]	N/A	1.125 [28.6]	473.0
CD	2.500 [64.0]	4.625 [117.0]	2.578 [65.5]	4.750 [120.7]	N/A	1.125 [28.6]	562.0
CE	2.500 [64.0]	5.125 [130.0]	2.578 [65.5]	5.250 [133.4]	N/A	1.125 [28.6]	607.0
CF	2.500 [64.0]	5.625 [143.0]	2.578 [65.5]	5.750 [146.1]	N/A	1.125 [28.6]	675.0
DB	3.000 [76.0]	3.125 [79.0]	3.078 [78.2]	3.250 [82.6]	N/A	1.250 [31.8]	496.0
DL	3.000 [76.0]	3.625 [92.0]	3.078 [78.2]	3.750 [95.3]	N/A	1.250 [31.8]	598.0
DG	3.000 [76.0]	4.125 [105.0]	3.078 [78.2]	4.250 [108.0]	N/A	1.250 [31.8]	700.0
DD	3.000 [76.0]	4.625 [117.0]	3.078 [78.2]	4.750 [120.7]	N/A	1.250 [31.8]	802.0
DE	3.000 [76.0]	5.125 [130.0]	3.078 [78.2]	5.250 [133.4]	N/A	1.250 [31.8]	944.0
DF	3.000 [76.0]	5.625 [143.0]	3.078 [78.2]	5.750 [146.1]	N/A	1.250 [31.8]	1004.0
DJ	3.000 [76.0]	8.625 [219.0]	3.078 [78.2]	8.750 [222.3]	N/A	1.250 [31.8]	1403.0

DIMENSIONS in inches [millimeters]						
BRACKETS						
TYPE	PART NUMBER	A	B	C	FIGURE NUMBER	
2 Feet	4586-97A	1.375 [34.9]	1.781 [45.2]	2.218 [56.3]	1	
3 Feet	4586-48	2.000 [50.8]	2.500 [63.5]	2.875 [73.0]	2	
3 Feet	4586-1	2.500 [63.5]	3.000 [76.2]	3.375 [85.7]	2	
3 Feet	4586-2	3.000 [76.2]	3.500 [88.9]	3.875 [98.4]	2	
SCREW INSERT TERMINAL DIMENSIONS						
TERMINAL CODE	THREAD	THREAD DEPTH	HEIGHT J ± 0.032 [0.8]	DIAMETER S ± 0.010 [0.25]	DIAMETER T ± 0.010 [0.25]	NOTES
A	10-32 NF-28	0.219 [5.6]	0.063 [1.6]	0.313 [8.0]	0.438 [11.1]	All cases codes
B	10-32 NF-28	0.375 [9.5]	0.250 [6.4]	0.313 [8.0]	0.438 [11.1]	All cases codes
D	1/4-28 NF-28	0.344 [8.7]	0.093 [2.4]	0.688 [17.5]	-	C & D dia. codes only

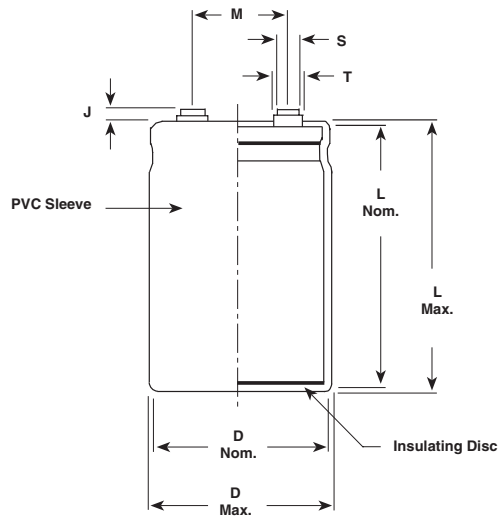
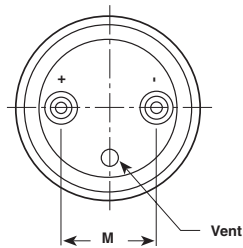
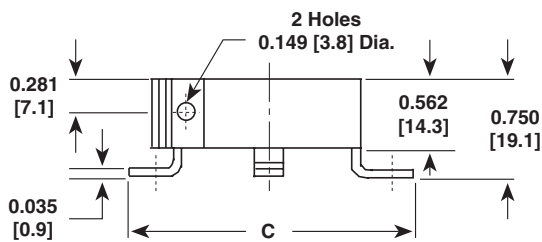
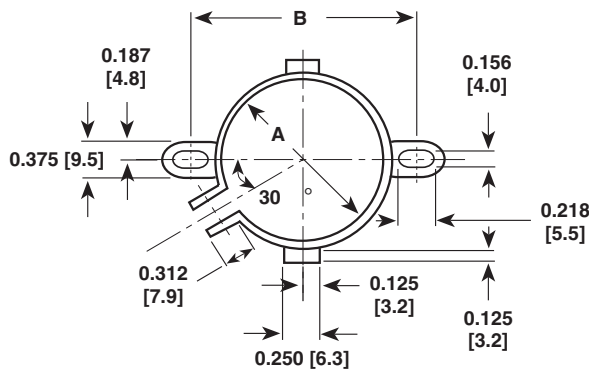
DIMENSIONS AND AVAILABLE FORMS
Screw Insert Terminals

Large Can Brackets


Figure 1

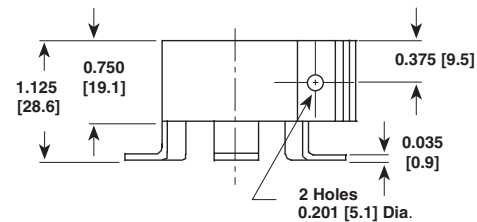
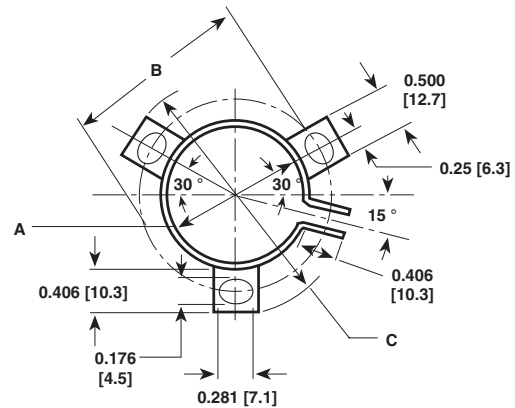


Figure 2

ELECTRICAL DATA	
SYMBOL	DESCRIPTION
μF	rated capacitance
$\pm \%$	F = - 10 % to + 50 %
DC	voltage rating at 105° C
AN	see dimensions in millimeters table
2	PVC insulating sleeve
A	low insert 10 - 32 screw thread

ORDERING EXAMPLE

Electrolytic capacitor 36 DY series

36DY 393 F 6R3 AN 2 A

ELECTRICAL DATA AND ORDERING INFORMATION				
CAPACITANCE (μF)	PART NUMBER	NOMINAL CASE SIZE D x L	MAX. ESR at 25 °C (mΩ) 120 Hz	MAX. RIPPLE at + 85 °C (A) 120 Hz
6.3 WVDC at + 85 °C, SURGE = 8 V				
68000.0	36DY683F6R3AA2A	1.375 x 2.125 [35.0 x 54.0]	32.0	5.92
120000.0	36DY124F6R3AB2A	1.375 x 3.125 [35.0 x 79.0]	20.0	8.70
220000.0	36DY224F6R3BB2A	2.000 x 3.125 [51.0 x 79.0]	11.2	14.4
560000.0	36DY564F6R3BF2A	2.000 x 5.625 [51.0 x 143.0]	6.6	23.8
820000.0	36DY824F6R3CF2A	2.500 x 5.625 [64.0 x 143.0]	4.1	34.4
1.0F	36DY105F6R3DD2A	3.000 x 4.625 [76.0 x 117.0]	14.5	34.0
10 WVDC at + 85 °C, SURGE = 12 V				
82000.0	36DY823F010AB2A	1.375 x 3.125 [35.0 x 79.0]	19.8	8.65
150000.0	36DY154F010AD2A	1.375 x 4.625 [35.0 x 117.0]	14.0	12.2
220000.0	36DY224F010BL2A	2.000 x 3.625 [51.0 x 92.0]	9.6	16.5
390000.0	36DY394F010BF2A	2.000 x 5.625 [51.0 x 143.0]	6.7	23.7
470000.0	36DY474F010CC2A	2.500 x 4.125 [64.0 x 105.0]	5.0	27.6
680000.0	36DY684F010DC2A	3.000 x 4.125 [76.0 x 105.0]	5.0	30.9
15 WVDC at + 85 °C, SURGE = 18 V				
47000.0	36DY473F015AM2A	1.375 x 2.625 [35.0 x 67.0]	25.0	7.19
68000.0	36DY683F015AL2A	1.375 x 3.625 [35.0 x 92.0]	17.5	9.79
100000.0	36DY104F015AD2A	1.375 x 4.625 [35.0 x 117.0]	14.2	12.1
56000.0	36DY563F015BA2A	2.000 x 2.125 [51.0 x 54.0]	20.0	9.40
100000.0	36DY104F015BB2A	2.000 x 3.125 [51.0 x 79.0]	11.6	14.2
150000.0	36DY154F015BC2A	2.000 x 4.125 [51.0 x 105.0]	8.7	18.3
220000.0	36DY224F015BF2A	2.000 x 5.625 [51.0 x 143.0]	6.7	23.6
470000.0	36DY474F015CF2A	2.500 x 5.625 [64.0 x 143.0]	4.2	34.0
680000.0	36DY684F015DF2A	3.000 x 5.625 [76.0 x 143.0]	4.1	38.4
25 WVDC at + 85 °C, SURGE = 30 V				
18000.0	36DY183F025AM2A	1.375 x 2.625 [35.0 x 67.0]	25.0	7.12
22000.0	36DY223F025AB2A	1.375 x 3.125 [35.0 x 79.0]	21.0	8.42
47000.0	36DY473F025AF2A	1.375 x 5.625 [35.0 x 143.0]	12.6	14.0
33000.0	36DY333F025BM2A	2.000 x 2.625 [51.0 x 67.0]	15.4	11.5
47000.0	36DY473F025BB2A	2.000 x 3.125 [51.0 x 79.0]	12.3	13.8
100000.0*	36DY104F025BF2A	2.000 x 5.625 [51.0 x 143.0]	7.2	22.8
120000.0	36DY124F025CC2A	2.500 x 4.125 [64.0 x 105.0]	6.7	23.8
220000.0	36DY224F025DE2A	3.000 x 5.125 [76.0 x 130.0]	4.5	35.3
390000.0	36DY394F025DJ2A	3.000 x 8.625 [76.0 x 219.0]	3.5	49.5
40 WVDC at + 85 °C, SURGE = 50 V				
4700.0	36DY472F040AN2A	1.375 x 1.625 [35.0 x 41.0]	59.0	3.89
10000.0	36DY103F040AM2A	1.375 x 2.625 [35.0 x 67.0]	28.0	6.84
12000.0	36DY123F040AB2A	1.375 x 3.125 [35.0 x 79.0]	23.0	8.10
15000.0	36DY153F040AL2A	1.375 x 3.625 [35.0 x 92.0]	19.4	9.30
10000.0	36DY103F040BY2A	2.000 x 1.875 [51.0 x 48.0]	30.0	7.40
27000.0	36DY273F040BB2A	2.000 x 3.125 [51.0 x 79.0]	12.8	13.5
33000.0	36DY333F040BL2A	2.000 x 3.625 [51.0 x 92.0]	10.9	15.5
39000.0	36DY393F040BC2A	2.000 x 4.125 [51.0 x 105.0]	9.6	17.4
47000.0	36DY473F040CB2A	2.500 x 3.125 [64.0 x 79.0]	9.1	18.4
100000.0	36DY104F040DC2A	3.000 x 4.125 [76.0 x 105.0]	5.4	29.7
8200.0	36DY822F040AM2A	1.375 x 2.625 [35.0 x 67.0]	29.0	6.66
10000.0	36DY103F040AB2A	1.375 x 3.125 [35.0 x 79.0]	24.0	7.79
15000.0	36DY153F040AC2A	1.375 x 4.125 [35.0 x 105.0]	18.2	10.1

* These ratings are normally stocked.

Aluminum Capacitors
+ 85 °C, Large Can

ELECTRICAL DATA AND ORDERING INFORMATION				
CAPACITANCE (μF)	PART NUMBER	NOMINAL CASE SIZE D x L	MAX. ESR at 25 °C (mΩ) 120 Hz	MAX. RIPPLE at + 85 °C (A) 120 Hz
50 WVDC at + 85 °C, SURGE = 65 V				
5600.0	36DY562F050AA2A	1.375 x 2.125 [35.0 x 54.0]	40.0	5.25
8200.0	36DY822F050AM2A	1.375 x 2.625 [35.0 x 67.0]	29.0	6.66
10000.0*	36DY103F050AB2A	1.375 x 3.125 [35.0 x 79.0]	24.0	8.60
47000.0	36DY473F050BF2A	2.000 x 5.625 [51.0 x 143.0]	7.7	22.1
100000.0	36DY104F050DE2A	3.000 x 5.125 [76.0 x 130.0]	4.8	34.2
180000.0	36DY184F050DJ2A	3.000 x 8.625 [76.0 x 219.0]	3.6	48.8
60 WVDC at + 85 °C, SURGE = 75 V				
2700.0	36DY272F060AN2A	1.375 x 1.625 [35.0 x 41.0]	69.0	3.62
4700.0	36DY472F060AA2A	1.375 x 2.125 [35.0 x 54.0]	42.0	5.10
8200.0	36DY822F060AB2A	1.375 x 3.125 [35.0 x 79.0]	25.0	7.72
10000.0	36DY103F060AL2A	1.375 x 3.625 [35.0 x 92.0]	22.0	8.75
15000.0	36DY153F060BB2A	2.000 x 3.125 [51.0 x 79.0]	13.9	13.0
22000.0	36DY223F060BL2A	2.000 x 3.625 [51.0 x 92.0]	11.7	15.0
47000.0	36DY473F060CD2A	2.500 x 4.625 [64.0 x 117.0]	6.6	25.1
100000.0	36DY104F060DF2A	3.000 x 5.625 [76.0 x 143.0]	4.5	36.7
75 WVDC at + 85 °C, SURGE = 95 V				
1800.0	36DY182F075AN2A	1.375 x 1.625 [35.0 x 41.0]	104.0	2.95
3300.0	36DY332F075AA2A	1.375 x 2.125 [35.0 x 54.0]	62.0	4.19
5600.0	36DY562F075AB2A	1.375 x 3.125 [35.0 x 79.0]	36.0	6.45
6800.0	36DY682F075AL2A	1.375 x 3.625 [35.0 x 92.0]	30.0	7.50
10000.0	36DY103F075AD2A	1.375 x 4.625 [35.0 x 117.0]	24.0	9.26
12000.0	36DY123F075BB2A	2.000 x 3.125 [51.0 x 79.0]	18.8	11.1
18000.0	36DY183F075BC2A	2.000 x 4.125 [51.0 x 105.0]	13.7	14.5
47000.0	36DY473F075CF2A	2.500 x 5.625 [64.0 x 143.0]	6.7	26.9
47000.0	36DY473F075DC2A	3.000 x 4.125 [76.0 x 105.0]	8.9	23.2
120000.0	36DY124F075DJ2A	3.000 x 8.625 [76.0 x 219.0]	5.0	41.5
100 WVDC at + 85 °C, SURGE = 125 V				
1800.0	36DY182F100AM2A	1.375 x 2.625 [35.0 x 67.0]	56.0	4.82
4700.0	36DY472F100AC2A	1.375 x 4.125 [35.0 x 105.0]	32.0	7.68
4700.0	36DY472F100BM2A	2.000 x 2.625 [51.0 x 67.0]	30.0	8.29
10000.0	36DY103F100BC2A	2.000 x 4.125 [51.0 x 105.0]	16.3	13.3
10000.0	36DY103F100CB2A	2.500 x 3.125 [64.0 x 79.0]	14.8	14.5
18000.0	36DY183F100DL2A	3.000 x 3.625 [76.0 x 92.0]	11.2	19.7
33000.0	36DY333F100DE2A	3.000 x 5.125 [76.0 x 130.0]	7.9	26.7
150 WVDC at + 85 °C, SURGE = 175 V				
2700.0	36DY272F150AF2A	1.375 x 1.625 [35.0 x 41.0]	35.0	6.84
2200.0	36DY222F150BB2A	2.000 x 3.125 [51.0 x 79.0]	57.0	5.22
5600.0	36DY562F150BF2A	2.000 x 5.625 [51.0 x 143.0]	22.0	10.66
10000.0	36DY103F150CF2A	2.500 x 5.625 [64.0 x 143.0]	12.0	16.43
10000.0	36DY103F150DC2A	3.000 x 4.125 [76.0 x 105.0]	17.0	13.68
200 WVDC at + 85 °C, SURGE = 250 V				
1000.0	36DY102F200AB2A	1.375 x 1.625 [35.0 x 41.0]	84.0	3.43
1500.0	36DY152F200BM2A	2.000 x 2.625 [51.0 x 67.0]	72.0	4.36
2200.0	36DY222F200BL2A	2.000 x 3.625 [51.0 x 92.0]	49.0	5.97
2700.0	36DY272F200BC2A	2.000 x 4.125 [51.0 x 105.0]	40.0	6.95
3300.0	36DY332F200CB2A	2.500 x 3.125 [64.0 x 79.0]	32.0	8.03
4700.0	36DY472F200CC2A	2.500 x 4.125 [64.0 x 105.0]	22.0	10.73
10000.0	36DY103F200DE2A	3.000 x 5.125 [76.0 x 130.0]	14.0	16.36

* These ratings are normally stocked.

ELECTRICAL DATA AND ORDERING INFORMATION				
CAPACITANCE (μF)	PART NUMBER	NOMINAL CASE SIZE D x L	MAX. ESR at 25 °C (mΩ) 120 Hz	MAX. RIPPLE at + 85 °C (A) 120 Hz
250 WVDC at + 85 °C, SURGE = 300 V				
560.0*	36DY561F250AM2A	1.375 x 1.625 [35.0 x 41.0]	132.0	2.55
1000.0	36DY102F250AL2A	1.375 x 1.625 [35.0 x 41.0]	74.0	3.89
2700.0	36DY272F250BD2A	2.000 x 4.625 [51.0 x 117.0]	34.0	7.90
3300.0	36DY332F250BF2A	2.000 x 5.625 [51.0 x 143.0]	29.0	9.44
2700.0	36DY272F250CB2A	2.500 x 3.125 [64.0 x 79.0]	34.0	7.79
4700.0	36DY472F250DL2A	3.000 x 3.625 [76.0 x 92.0]	24.0	10.99
10000.0	36DY103F250DF2A	3.000 x 5.625 [76.0 x 143.0]	11.0	19.14
350 WVDC at + 85 °C, SURGE = 400 V				
470.0	36DY471F350AB2A	1.375 x 1.625 [35.0 x 41.0]	272.0	1.91
1000.0	36DY102F350AF2A	1.375 x 1.625 [35.0 x 41.0]	128.0	3.58
1000.0	36DY102F350BL2A	2.000 x 3.625 [51.0 x 92.0]	136.0	3.58
1800.0*	36DY182F350BF2A	2.000 x 5.625 [51.0 x 143.0]	76.0	5.73
3300.0	36DY332F350DC2A	3.000 x 4.125 [76.0 x 105.0]	44.0	8.50
4700.0	36DY472F350DE2A	3.000 x 5.125 [76.0 x 130.0]	31.0	10.99
400 WVDC at + 85 °C, SURGE = 450 V				
270.0	36DY271F400AM2A	1.375 x 2.625 [35.0 x 67.0]	429.0	1.41
680.0	36DY681F400AE2A	1.375 x 5.125 [35.0 x 130.0]	170.0	2.98
1000.0	36DY102F400BC2A	2.000 x 4.125 [51.0 x 105.0]	123.0	3.96
2200.0	36DY222F400CD2A	2.500 x 4.625 [64.0 x 117.0]	55.0	7.09
2700.0	36DY272F400DC2A	3.000 x 4.125 [76.0 x 105.0]	48.0	8.14
6800.0	36DY682F400DJ2A	3.000 x 8.625 [76.0 x 219.0]	19.0	17.36
450 WVDC at + 85 °C, SURGE = 525 V				
330.0	36DY331F450AB2A	1.375 x 3.125 [35.0 x 79.0]	317.0	1.77
680.0	36DY681F450AE2A	1.375 x 5.625 [35.0 x 143.0]	164.0	3.13
1000.0	36DY102F450BC2A	2.000 x 4.125 [51.0 x 105.0]	113.0	4.13
2700.0	36DY272F450CF2A	2.500 x 5.625 [64.0 x 143.0]	42.0	8.78
3300.0	36DY332F450DD2A	3.000 x 4.625 [64.0 x 117.0]	36.0	10.20
5600.0	36DY562F450DJ2A	3.000 x 8.625 [76.0 x 219.0]	21.0	16.51

* These ratings are normally stocked.