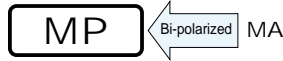


MP 5mmL, Bi-Polarized
series



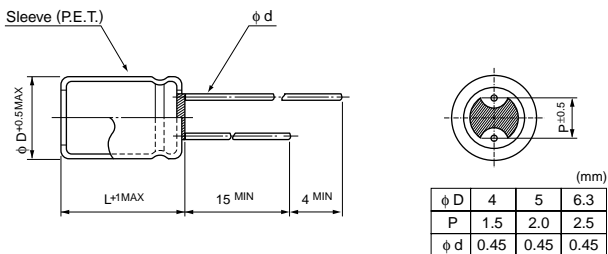
- Bi-polarized series with 5mm height.
- Compliant to the RoHS directive (2002/95/EC).



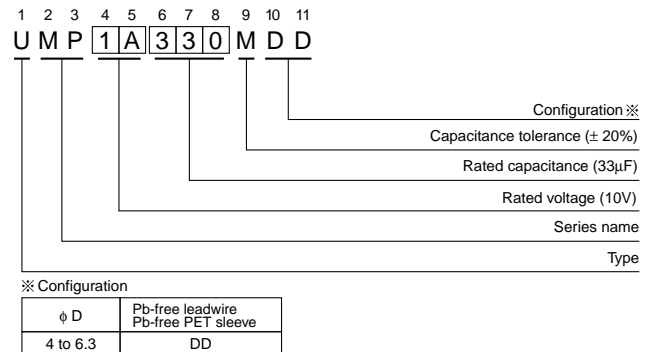
Specifications

Item	Performance Characteristics																						
Category Temperature Range	-40 to +85°C																						
Rated Voltage Range	6.3 to 50V																						
Rated Capacitance Range	0.1 to 47μF																						
Rated Capacitance Tolerance	±20% at 120Hz, 20°C																						
Leakage Current	After 2 minutes' application of rated voltage, leakage current is not more than 0.05CV or 10 (μA), whichever is greater.																						
Tangent of loss angle (tan δ)	Measurement frequency : 120Hz, Temperature : 20°C																						
	<table border="1"> <tr> <td>Rated voltage (V)</td> <td>6.3</td> <td>10</td> <td>16</td> <td>25</td> <td>35</td> <td>50</td> </tr> <tr> <td>tan δ (MAX.)</td> <td>0.24</td> <td>0.20</td> <td>0.17</td> <td>0.17</td> <td>0.15</td> <td>0.15</td> </tr> </table>	Rated voltage (V)	6.3	10	16	25	35	50	tan δ (MAX.)	0.24	0.20	0.17	0.17	0.15	0.15								
Rated voltage (V)	6.3	10	16	25	35	50																	
tan δ (MAX.)	0.24	0.20	0.17	0.17	0.15	0.15																	
Stability at Low Temperature	Measurement frequency : 120Hz																						
	<table border="1"> <tr> <td colspan="2">Rated voltage (V)</td> <td>6.3</td> <td>10</td> <td>16</td> <td>25</td> <td>35</td> <td>50</td> </tr> <tr> <td rowspan="2">Impedance ratio ZT / Z20 (MAX.)</td> <td>Z-25°C / Z+20°C</td> <td>4</td> <td>3</td> <td>2</td> <td>2</td> <td>2</td> <td>2</td> </tr> <tr> <td>Z-40°C / Z+20°C</td> <td>8</td> <td>6</td> <td>4</td> <td>4</td> <td>3</td> <td>3</td> </tr> </table>	Rated voltage (V)		6.3	10	16	25	35	50	Impedance ratio ZT / Z20 (MAX.)	Z-25°C / Z+20°C	4	3	2	2	2	2	Z-40°C / Z+20°C	8	6	4	4	3
Rated voltage (V)		6.3	10	16	25	35	50																
Impedance ratio ZT / Z20 (MAX.)	Z-25°C / Z+20°C	4	3	2	2	2	2																
	Z-40°C / Z+20°C	8	6	4	4	3	3																
Endurance	<p>The specifications listed at right shall be met when the capacitors are restored to 20°C after the rated voltage is applied for 2000 hours at 85°C with the polarity inverted every 250 hours.</p> <table border="1"> <tr> <td>Capacitance change</td> <td>Within ±20% of the initial capacitance value</td> </tr> <tr> <td>tan δ</td> <td>200% or less than the initial specified value</td> </tr> <tr> <td>Leakage current</td> <td>Less than or equal to the initial specified value</td> </tr> </table>	Capacitance change	Within ±20% of the initial capacitance value	tan δ	200% or less than the initial specified value	Leakage current	Less than or equal to the initial specified value																
Capacitance change	Within ±20% of the initial capacitance value																						
tan δ	200% or less than the initial specified value																						
Leakage current	Less than or equal to the initial specified value																						
Shelf Life	After storing the capacitors under no load at 85°C for 1000 hours and then performing voltage treatment based on JIS C 5101-4 clause 4.1 at 20°C, they shall meet the specified values for the endurance characteristics listed above.																						
Marking	Printed with white color letter on black sleeve.																						

Radial Lead Type



Type numbering system (Example : 10V 33μF)



Dimensions

Cap. (μF)	Code	V		6.3		10		16		25		35		50	
		0J	1A	1C	1E	1V	1H								
0.1	0R1													4×5	1.0
0.22	R22													4×5	2.0
0.33	R33													4×5	2.8
0.47	R47													4×5	4.0
1	010													4×5	8.4
2.2	2R2											4×5	8.4	5×5	13
3.3	3R3									5×5	12	5×5	16	5×5	17
4.7	4R7							4×5	12	5×5	16	5×5	18	6.3×5	20
10	100				4×5	17		5×5	23	6.3×5	27	6.3×5	29		
22	220		5×5	28	6.3×5	33		6.3×5	37						
33	330		6.3×5	37	6.3×5	41		6.3×5	49						
47	470		6.3×5	45											
														Case size φ D × L (mm)	Rated ripple

Rated ripple current (mArms) at 85°C 120Hz

Frequency coefficient of rated ripple current

Frequency	50 Hz	120 Hz	300 Hz	1 kHz	10 kHz or more
Coefficient	0.70	1.00	1.17	1.36	1.50

Please refer to page 20, 21, 22 about the formed or taped product spec.
Please refer to page 4 for the minimum order quantity.

CAT.8100Y