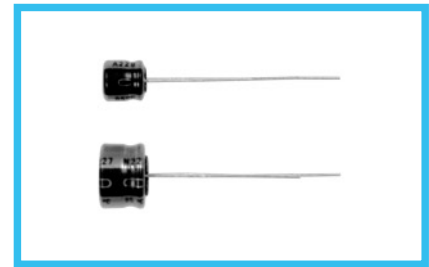
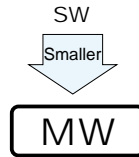


ALUMINUM ELECTROLYTIC CAPACITORS

MW series 5mmL, For General Audio Equipment



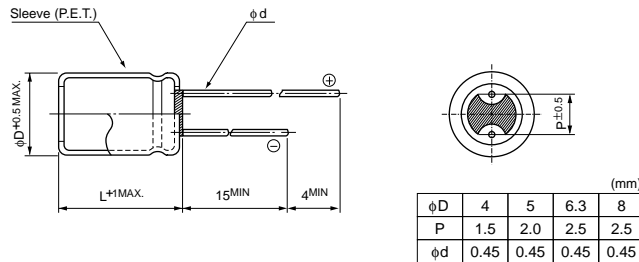
- Acoustic series, with 5mm height.
- Compliant to the RoHS directive (2002/95/EC).



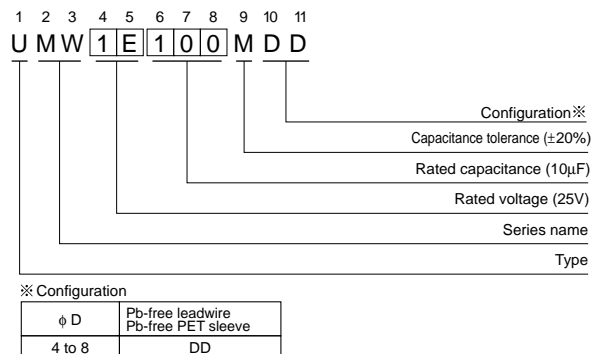
Specifications

Item	Performance Characteristics								
Category Temperature Range	-40 to +85°C								
Rated Voltage Range	4 to 50V								
Rated Capacitance Range	0.1 to 470μF								
Capacitance Tolerance	±20% at 120Hz, 20°C								
Leakage Current	After 2 minutes' application of rated voltage, leakage current is not more than 0.01CV or 3 (μA), whichever is greater.								
Tangent of loss angle (tan δ)	Measurement frequency : 120Hz, Temperature : 20°C								
	Rated voltage (V)	4	6.3	10	16	25	35	50	
Stability at Low Temperature	tan δ (MAX.)	0.35	0.24	0.20	0.16	0.14	0.12	0.10	
	Measurement frequency : 120Hz								
	Rated voltage (V)	4	6.3	10	16	25	35	50	
Endurance	Impedance ratio	Z-25°C / Z+20°C	7	4	3	2	2	2	
	ZT / Z20 (MAX.)	Z-40°C / Z+20°C	15	8	6	4	4	3	
Shelf Life	The specifications listed at right shall be met when the capacitors are restored to 20°C after the rated voltage is applied for 1000 hours at 85°C.		Capacitance change						Within ±20% of the initial capacitance value
			tan δ						200% or less than the initial specified value
			Leakage current						Less than or equal to the initial specified value
Marking	Printed with black color letter on gold sleeve.								

Radial Lead Type



Type numbering system (Example : 25V 10μF)



Dimensions

Cap. (μF)	code	V		4		6.3		10		16		25		35		50		
		0G	0J	1A	1C	1E	1V	1H										
0.1	0R1																4×5	1.0
0.22	R22																4×5	2.0
0.33	R33																4×5	2.8
0.47	R47																4×5	4.0
1	010																4×5	8.4
2.2	2R2																4×5	13
3.3	3R3																4×5	17
4.7	4R7																4×5	17
10	100																4×5	20
22	220																4×5	20
33	330	4×5	28	5×5	37	5×5	41	6.3×5	49	6.3×5	52	8×5	62	8×5	71		8×5	71
47	470	4×5	33	5×5	45	6.3×5	52	6.3×5	58	8×5	70	8×5	80					
100	101	5×5	56	6.3×5	70	8×5	80	8×5	92	8×5	110							
220	221	6.3×5	96	8×5	110	8×5	135											
330	331	8×5	145	8×5	170													
470	471	8×5	185															

Frequency coefficient of rated ripple current

Frequency	50 Hz	120 Hz	300 Hz	1 kHz	10 kHz or more
Coefficient	0.70	1.00	1.17	1.36	1.50

Please refer to page 20, 21, 22 about the formed or taped product spec.
Please refer to page 4 for the minimum order quantity.

Rated ripple current(mArms) at 85°C 120Hz