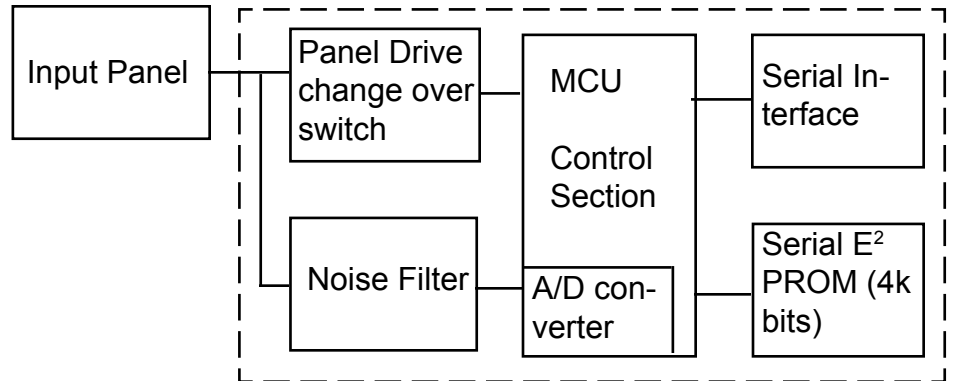


STANDARD Micro Controller Specification

N010-0559-V026 Serial Interface Controller Chip

7- Wire Series Summary Sheet

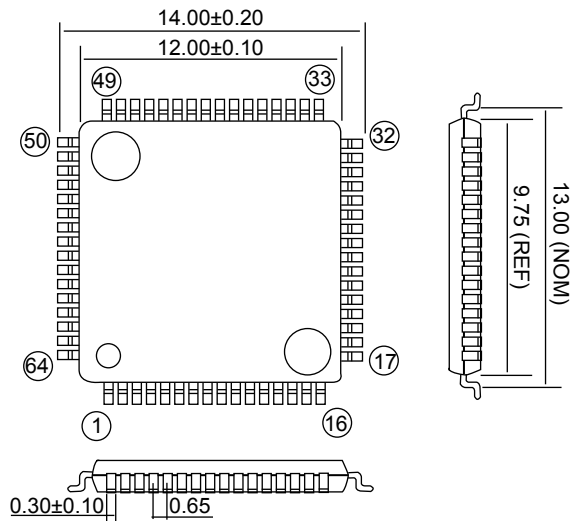
■ FEATURES



- High quality and reliability touch panel controller
- Serial Interface (RS-232)
- Used to control the 7-Wire resistive touch panels
- RoHS compliant

■ CONSTRUCTION

- 64 pin PQFP MCU with masked ROM



1	Unused	17	Unused	33	Unused	49	Vss
2	S/P*	18	Unused	34	Unused	50	EROMCS
3	PMSR	19	*RST	35	Unused	51	Unused
4	EMSR1	20	MOD0	36	Unused	52	EROMS1
5	EMSR2	21	MOD1	37	Unused	53	EROMS0
6	EMSR3	22	X0	38	Unused	54	EROMCK
7	EMSR4	23	X1	39	Unused	55	RXD
8	Unused	24	Vss	40	Unused	56	Vcc
9	Unused	25	Unused	41	Unused	57	TXD
10	Unused	26	Unused	42	*PSW0	58	UCK1
11	Avcc	27	Unused	43	Unused	59	UCK0
12	AVR	28	Unused	44	Unused	60	Unused
13	Avss	29	PSW4	45	Unused	61	Unused
14	CSEL	30	*PSW3	46	Unused	62	Unused
15	*PINT	31	PSW2	47	Unused	63	OS1
16	*RXINT	32	*PSW1	48	Unused	64	OS0

Serial Interface Controller Chip

Complete specification document is available on request for customers with whom we have an approved NDA in place.

Fujitsu Components International Headquarter Offices

Japan

Fujitsu Component Limited
Gotanda-Chuo Building
3-5, Higashigotanda 2-chome, Shinagawa-ku
Tokyo 141, Japan
Tel: (81-3) 5449-7010
Fax: (81-3) 5449-2626
Email: promothq@ft.ed.fujitsu.com
Web: www.fcl.fujitsu.com

North and South America

Fujitsu Components America, Inc.
250 E. Caribbean Drive
Sunnyvale, CA 94089 U.S.A.
Tel: (1-408) 745-4900
Fax: (1-408) 745-4970
Email: components@us.fujitsu.com
Web: <http://www.fujitsu.com/us/services/edevices/components/>

Europe

Fujitsu Components Europe B.V.
Diamantlaan 25
2132 WV Hoofddorp
Netherlands
Tel: (31-23) 5560910
Fax: (31-23) 5560950
Email: info@fceu.fujitsu.com
Web: emea.fujitsu.com/components/

Asia Pacific

Fujitsu Components Asia Ltd.
102E Pasir Panjang Road
#01-01 Citilink Warehouse Complex
Singapore 118529
Tel: (65) 6375-8560
Fax: (65) 6273-3021
Email: fcal@fcal.fujitsu.com
Web: <http://www.fujitsu.com/sg/services/micro/components/>

©2006 Fujitsu Components America, Inc. All rights reserved. All trademarks or registered trademarks are the property of their respective owners.

Fujitsu Components America or its affiliates do not warrant that the content of datasheet is error free. In a continuing effort to improve our products Fujitsu Components America, Inc. or its affiliates reserve the right to change specifications/datasheets without prior notice.
Rev. May19/2006