

CMSH2-20  
 CMSH2-40  
 CMSH2-60  
 CMSH2-100

**SCHOTTKY BARRIER RECTIFIER  
 2.0 AMP, 20 THRU 100 VOLTS**



**SMB CASE**

**Central™**  
**Semiconductor Corp.**

**FEATURES:**

- LOW COST
- SUPERIOR LOT TO LOT CONSISTENCY
- HIGH RELIABILITY
- "C" BEND CONSTRUCTION PROVIDES STRAIN RELIEF WHEN MOUNTED ON PC BOARD
- SPECIAL SELECTIONS AVAILABLE

**DESCRIPTION:**

The CENTRAL SEMICONDUCTOR 2.0 Amp Surface Mount Silicon Schottky Rectifier is a high quality, well constructed, highly reliable component designed for use in all types of commercial, industrial, entertainment, computer, and automotive applications. To order devices on 12mm Tape and Reel (3000/13" Reel), add TR13 suffix to part number.

**MARKING CODES: SEE MARKING CODE TABLE ON FOLLOWING PAGE**

**MAXIMUM RATINGS:** ( $T_A=25^\circ\text{C}$  unless otherwise noted)

	SYMBOL	CMSH2 -20	CMSH2 -40	CMSH2 -60	CMSH2 -100	UNITS
Peak Repetitive Reverse Voltage	$V_{RRM}$	20	40	60	100	V
DC Blocking Voltage	$V_R$	20	40	60	100	V
RMS Reverse Voltage	$V_{R(RMS)}$	14	28	42	71	V
Average Forward Current ( $T_A=55^\circ\text{C}$ )	$I_O$			2.0		A
Peak Forward Surge Current (8.3ms)	$I_{FSM}$			50		A
Operating and Storage						
Junction Temperature	$T_J, T_{stg}$		-65 to +150			$^\circ\text{C}$
Thermal Resistance	$\theta_{JL}$		20			$^\circ\text{C/W}$

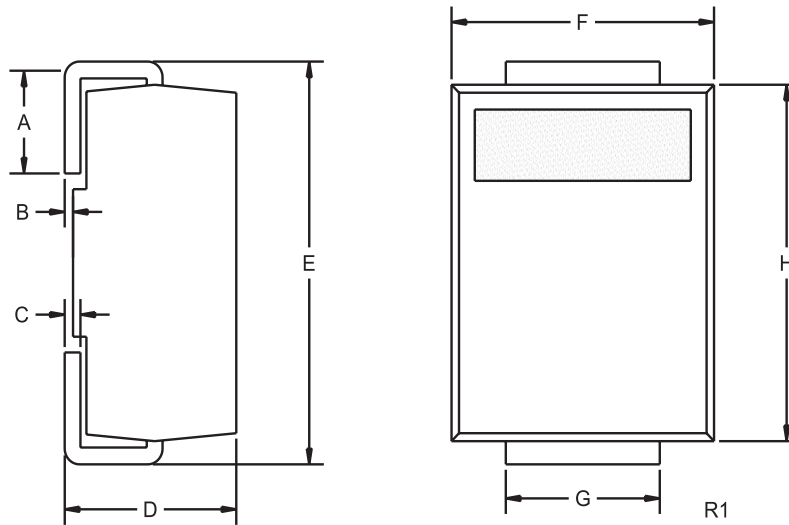
**ELECTRICAL CHARACTERISTICS:** ( $T_A=25^\circ\text{C}$  unless otherwise noted)

SYMBOL	TEST CONDITIONS	MIN	TYP	MAX	UNITS
$I_R$	$V_R$ =Rated $V_{RRM}$			0.50	mA
$I_R$	$V_R$ =Rated $V_{RRM}, T_A=100^\circ\text{C}$			20	mA
$V_F$	$I_F=2.0\text{A}$ (CMSH2-20 AND CMSH2-40)			0.50	V
$V_F$	$I_F=2.0\text{A}$ (CMSH2-60)			0.70	V
$V_F$	$I_F=2.0\text{A}$ (CMSH2-100)			0.85	V
$C_J$	$V_R=4.0\text{V}, f=1.0\text{MHz}$ , (CMSH2-20 AND CMSH2-40)		150		pF
$C_J$	$V_R=4.0\text{V}, f=1.0\text{MHz}$ , (CMSH2-60 AND CMSH2-100)		120		pF

R3 (26-September 2002)

**SCHOTTKY BARRIER RECTIFIER**  
**2.0 AMP, 20 THRU 100 VOLTS**

**SMB CASE - MECHANICAL OUTLINE**



DEVICE	MARKING CODE
CMSH2-20	CS220
CMSH2-40	CS240
CMSH2-60	CS260
CMSH2-100	CS2100

SYMBOL	INCHES		MILLIMETERS	
	MIN	MAX	MIN	MAX
A	0.030	0.060	0.76	1.52
B	0.004	0.008	0.10	0.20
C	0.006	0.012	0.15	0.30
D	0.086	0.096	2.18	2.44
E	0.200	0.220	5.08	5.59
F	0.130	0.150	3.30	3.81
G	0.077	0.083	1.96	2.11
H	0.160	0.180	4.06	4.57

SMB (REV: R1)

R3 (26-September 2002)