



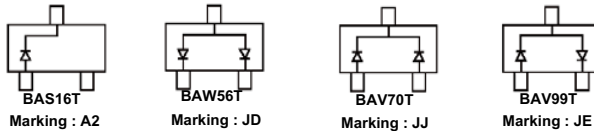
Micro Commercial Components

Micro Commercial Components
20736 Marilla Street Chatsworth
CA 91311
Phone: (818) 701-4933
Fax: (818) 701-4939

BAS16T
BAW56T
BAV70T
BAV99T

Features

- Ultra-Small Surface Mount Package
- For General Purpose Switching Applications
- High Conductance
- Case Material: Molded Plastic. UL Flammability Classification Rating 94V-0 and MSL Rating 1



**150mW 85Volt
Switching Diode**

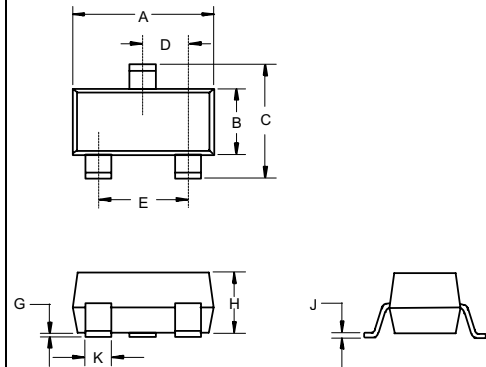
Maximum Ratings

- Operating Temperature: -55°C to +150°C
- Storage Temperature: -55°C to +150°C

SOT-523

Electrical Characteristics @ 25°C Unless Otherwise Specified

Peak Repetitive Reverse Voltage	V_{RRM}	85V	
Continuous Forward Current	I_F	75mA	
Power Dissipation	P_D	150mW	
Peak Forward Surge Current @t=1.0us @t=1.0ms @t=1.0s	I_{FSM}	4.0A 1.0A 0.5A	
Maximum Instantaneous Forward Voltage	V_F	715mV 855mV 1000mV 1250mV	$I_F = 1mA$ $I_F = 10mA$; $I_F = 50mA$ $I_F = 150mA$
Maximum DC Reverse Current At Rated DC Blocking Voltage	I_R	2μA 0.03μA	$V_R=75Volts$ $V_R=25Volts$
Typical Total Capacitance	C_T	1.5pF	Measured at 1.0MHz, $V_R=0V$
Reverse Recovery Time	T_{rr}	4nS	$I_F = I_R = 10mA$, $I_{rr} = 0.1 \times I_R$, $R_L = 100\Omega$



DIM	DIMENSIONS				NOTE
	INCHES		MM		
	MIN	MAX	MIN	MAX	
A	.059	.067	1.50	1.70	
B	.030	.033	0.75	0.85	
C	.057	.069	1.45	1.75	
D	.020 Nominal		0.50Nominal		
E	.035	.043	0.90	1.10	
G	.000	.004	.000	.100	
H	.028	.031	.70	0.80	
J	.004	.008	.100	.200	
K	.010	.014	.25	.35	

www.mccsemi.com

**BAS16T/BAW56T
BAV70T/BAV99T**

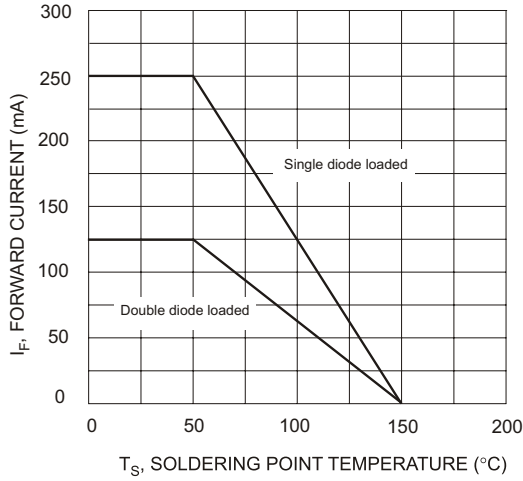


Fig. 1 Current Derating Curve

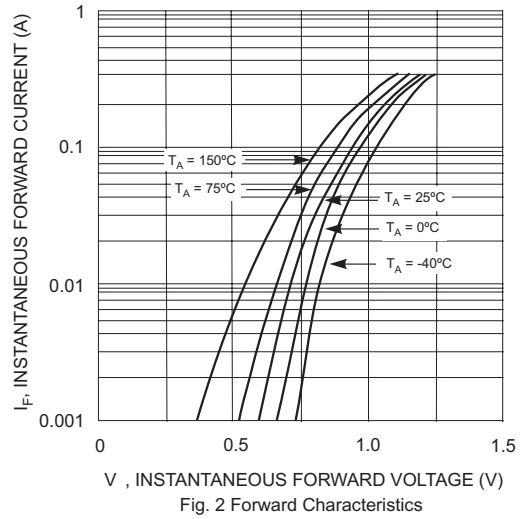


Fig. 2 Forward Characteristics

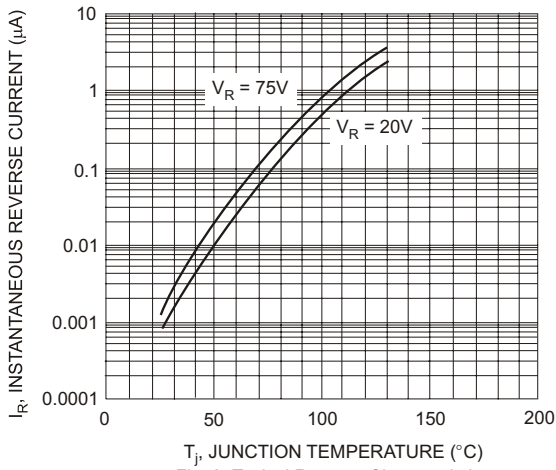


Fig. 3, Typical Reverse Characteristics



Micro Commercial Components

Ordering Information

Device	Packing
(Part Number)-TP	Tape&Reel;3Kpcs/Reel

IMPORTANT NOTICE

Micro Commercial Components Corp .reserves the right to make changes without further notice to any product herein to make corrections, modifications , enhancements , improvements , or other changes .
Micro Commercial Components Corp .does not assume any liability arising out of the application or use of any product described herein; neither does it convey any license under its patent rights ,nor the rights of others . The user of products in such applications shall assume all risks of such use and will agree to hold *Micro Commercial Components Corp* .and all the companies whose products are represented on our website, harmless against all damages.

APPLICATIONS DISCLAIMER

Products offer by *Micro Commercial Components Corp* . are not intended for use in Medical, Aerospace or Military Applications.

www.mccsemi.com