

ISO/IEC
7816-3**DESCRIPTION**

The Teridian 73S8010R is a single smart card interface IC that provides full electrical compliance with ISO-7816-3 and EMV 4.0 (EMV2000) specifications.

Interfacing with the host is done through the two-wire I²C bus and one interrupt output to inform the system controller of the card presence and faults. The card clock signal can be generated by an on-chip oscillator using an external crystal, or by connection to a clock signal.

The Teridian 73S8010R incorporates an ISO-7816-3 activation/deactivation sequencer that controls the card signals. Level-shifters drive the card signals with the selected card voltage (3 V or 5 V), coming from an internal Low Drop-Out (LDO) voltage regulator. This LDO regulator is powered by a dedicated power supply input, V_{PC}. Digital circuitry is separately powered by a digital power supply, V_{DD}.

With its embedded LDO regulator, the Teridian 73S8010R is a cost-effective solution for any application where a 5 V (typically -5% +10%) power supply is available. Hardware support for auxiliary I/O lines, C4 / C8 contacts is provided.

Emergency card deactivation is initiated upon card extraction or upon any fault generated by the protection circuitry. The fault can be a card over-current, a V_{DD} (digital power supply), a V_{PC} (regulator power supply), a V_{CC} (card power supply) or an over-heating fault.

The card over-current circuitry is a true current detect function, as opposed to V_{CC} voltage drop detection, as usually implemented in ICC interface ICs.

The V_{DD} voltage fault has a threshold voltage that can be adjusted with an external resistor or resistor network. It allows automated card deactivation at a customized V_{DD} voltage threshold value. It can be used, for instance, to match the system controller operating voltage range.

APPLICATIONS

- Set-Top-Box Conditional Access and Pay-per-View
- Point of Sales & Transaction Terminals
- Control Access & Identification
- Multiple card and SAM reader configurations

ADVANTAGES

- Single smart card interface
- IC firmware compatible with TDA8020
- Traditional step-up converter is replaced by an LDO regulator
 - Greatly reduced power dissipation
 - Fewer external components are required
 - Better noise performance
 - High current capability (90 mA supplied to the card)
- Small format (5x5x0.8 mm) QFN32 package option
- True card over-current detection

FEATURES

- Card Interface
 - Complies with ISO-7816-3 and EMV 4.0
 - An LDO voltage regulator provides 3 V / 5 V to the card from an external power supply input
 - ISO-7816-3 Activation / Deactivation sequencer with emergency automated deactivation on card removal or fault detected by the protection circuitry
 - Protection includes 3 voltage supervisors that detect voltage drops on V_{CC} card and on power supplies V_{DD} and V_{PC}
 - Over-current detection 150 mA max
 - 1 card detection input
 - Auxiliary I/O lines, for C4 / C8 contact signals
- Host Interface
 - Fast mode, 400 kbps I²C slave bus
 - 8 possible devices in parallel
 - One control register and one status register
 - Interrupt output to the host for fault detection
 - Crystal oscillator or host clock, up to 27 MHz
- 6 kV ESD protection on the card interface
- SO28 or QFN32 package

FUNCTIONAL DIAGRAM

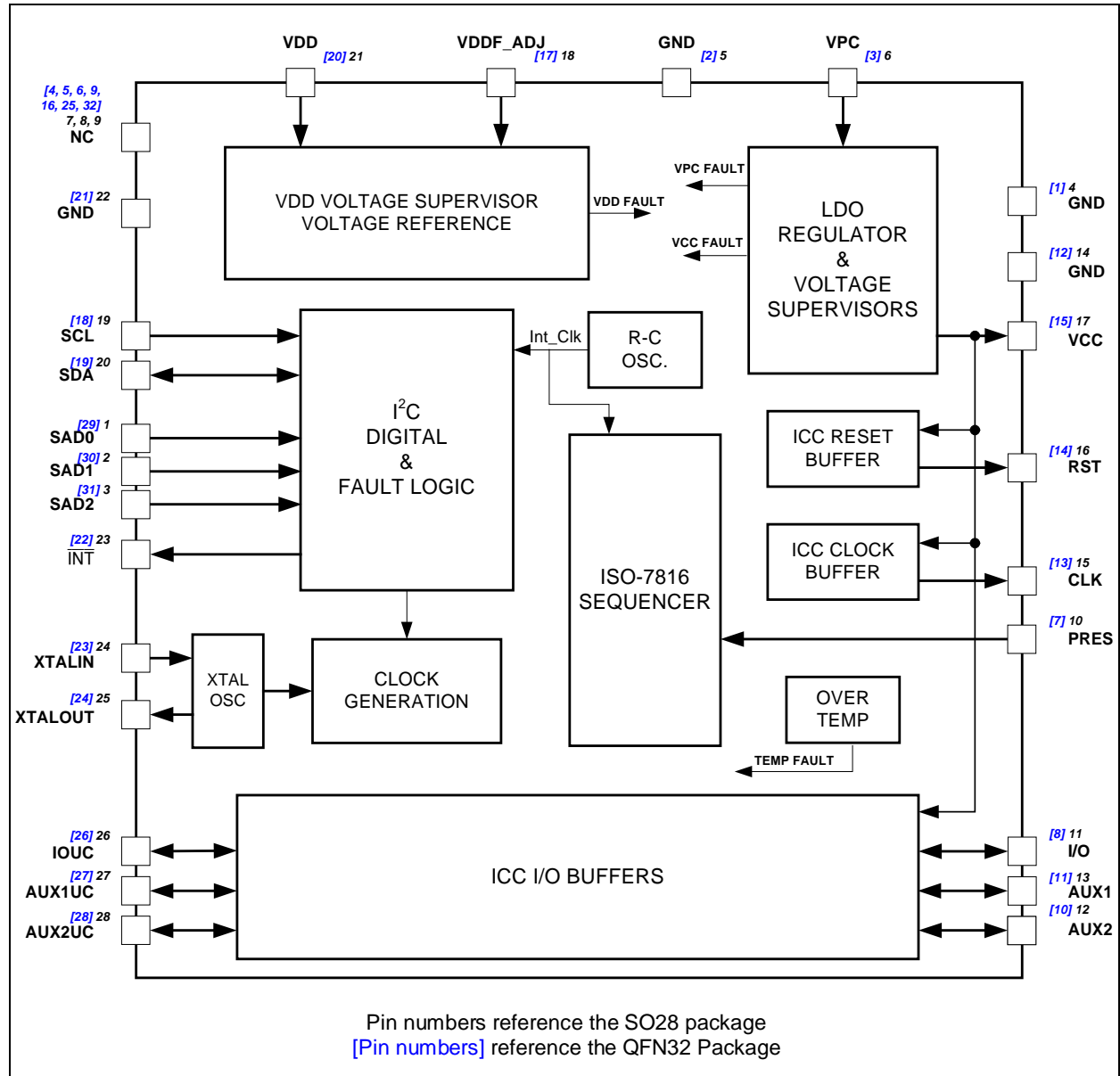


Figure 1: 73S8010R Block Diagram

Table of Contents

1	Pinout	5
2	Electrical Specifications	8
	2.1 Absolute Maximum Ratings.....	8
	2.2 Recommended Operating Conditions.....	8
	2.3 Smart Card Interface Requirements	9
	2.4 Digital Signals Characteristics	11
	2.5 DC Characteristics	11
	2.6 I ² C Interface Characteristics	12
	2.7 Voltage / Temperature Fault Detection Circuits.....	12
3	Applications Information	13
	3.1 Example 73S8010R Schematics	13
	3.2 System Controller Interface (I ² C Bus)	14
	3.3 Power Supply and Voltage Supervision	17
	3.4 Card Power Supply	18
	3.5 Over-temperature Monitor	18
	3.6 On-chip Oscillator and Card Clock.....	18
	3.7 Activation Sequence	19
	3.8 Deactivation Sequence	19
	3.9 Interrupt.....	20
	3.10 Warm Reset.....	21
	3.11 I/O Circuitry and Timing.....	21
4	Mechanical Drawings	22
	4.1 32-pin QFN	22
	4.2 28-Pin SO	23
5	Ordering Information	24
6	Related Documentation	24
7	Contact Information	24
	Revision History	25

Figures

Figure 1: 73S8010R Block Diagram	2
Figure 2: 73S8010R 32-Pin QFN Pinout	5
Figure 3: 73S8010R 28-Pin SO Pinout.....	5
Figure 4: Typical 73S8010R Application Schematic	13
Figure 5: I ² C Bus Write Protocol	15
Figure 6: I ² C Bus Read Protocol	16
Figure 7: I ² C Bus Timing Diagram.....	16
Figure 8: Activation Sequence	19
Figure 9: Deactivation Sequence	20
Figure 10: Interrupt operation due to Fault and Status Conditions	20
Figure 11: Warm Reset Operation	21
Figure 12: I/O Timing Diagram.....	21
Figure 13: 32-pin QFN Package Dimensions	22
Figure 14: 28-Pin SO Package Dimensions	23

Tables

Table 1: 73S8010R Pin Definitions	6
Table 2: Absolute Maximum Device Ratings	8
Table 3: Recommended Operating Conditions.....	8
Table 4: DC Smart Card Interface Requirements	9
Table 5: Digital Signals Characteristics	11
Table 6: DC Characteristics	11
Table 7: I ² C Characteristics	12
Table 8: Voltage / Temperature Fault Detection Circuits.....	12
Table 9: Device Address Selection	14
Table 10: Control Register Description.....	14
Table 11: Card Clock Rate Selection	14
Table 12: Status Register Description	15
Table 13: I2C Bus Timing Parameters	16
Table 14: Choice of VCC Pin Capacitor	18
Table 15: Card Clock Divisor Options	18
Table 16: Order Numbers and Packaging Marks.....	24

1 Pinout

The 73S8010R is supplied as a 32-pin QFN package and as a 28-pin SO package.

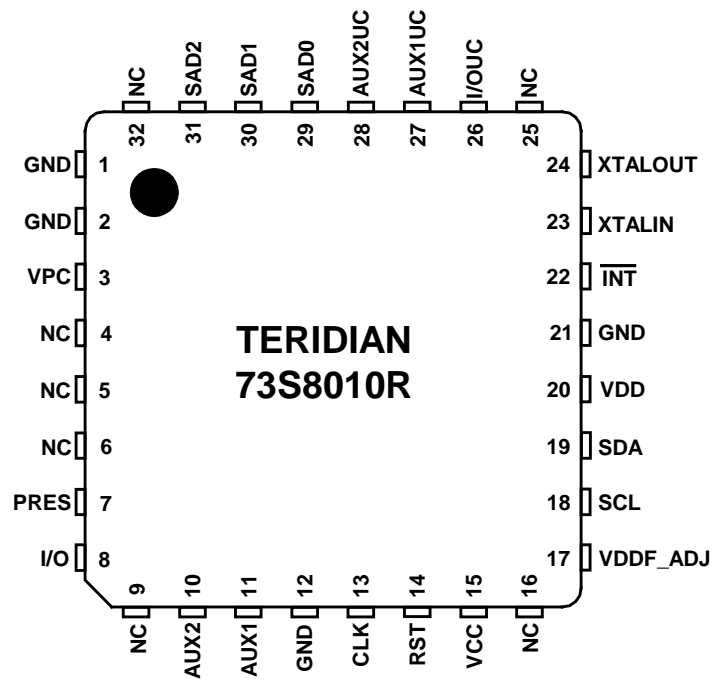


Figure 2: 73S8010R 32-Pin QFN Pinout

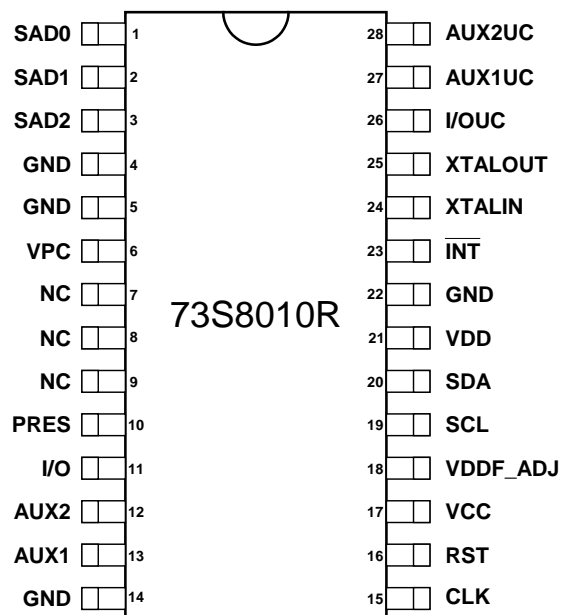


Figure 3: 73S8010R 28-Pin SO Pinout

Table 1 describes the pin functions for the device.

Table 1: 73S8010R Pin Definitions

Pin Name	Pin (SO28)	Pin (QFN32)	Type	Description
Card Interface				
I/O	11	8	IO	Card I/O: Data signal to/from card. Includes a pull-up resistor to V_{CC} .
AUX1	13	11	IO	AUX1: Auxiliary data signal to/from card. Includes a pull-up resistor to V_{CC} .
AUX2	12	10	IO	AUX2: Auxiliary data signal to/from card. Includes a pull-up resistor to V_{CC} .
RST	16	14	O	Card reset: provides reset (RST) signal to card.
CLK	15	13	O	Card clock: provides clock signal (CLK) to card. The crystal oscillator frequency and CLKSEL bits in the control register determine the rate of this clock.
PRES	10	7	I	Card Presence switch: active high indicates card is present. Includes a pull-down resistor.
VCC	17	15	PSO	Card power supply – logically controlled by the sequencer, output of LDO regulator. Requires an external filter capacitor to GND.
GND	14	12	GND	Card ground.
Miscellaneous Inputs and Outputs				
XTALIN	24	23	I	Crystal oscillator input: can be connected to crystal or driven as a source for the card clock.
XTALOUT	25	24	O	Crystal oscillator output: connected to crystal. Left open if XTALIN is being used as an external clock input.
VDDF_ADJ	18	17	I	V_{DD} threshold adjustment input: this pin can be used to overwrite a higher VDDF value (that controls deactivation of the card). Must be left open if unused.
NC	7, 8, 9	4,5,6,9, 16,25,32	–	Non-connected pin.
Power Supply and Ground				
VDD	21	20		System interface supply voltage and supply voltage for internal circuitry.
VPC	6	3		LDO regulator power supply source.
GND	4	1	GND	LDO regulator ground.
GND	14	12	GND	Smart card I/O ground.
GND	5, 22	2,21	GND	Digital ground.

Pin Name	Pin (SO28)	Pin (QFN32)	Type	Description																																				
Microcontroller Interface																																								
INT	23	22	O	Interrupt output signal (negative assertion) to the processor. A 20 kΩ pull up to V _{DD} is provided internally.																																				
SAD0 SAD1 SAD2	1 2 3	29 30 31	I I I	Serial device address bits. Digital inputs for address selection that allows for the connection of up to 8 devices in parallel. Address selections is as follows: <table border="1" data-bbox="854 520 1354 892"> <thead> <tr> <th>SAD2</th> <th>SAD1</th> <th>SAD0</th> <th>(7 bit) I²C Address</th> </tr> </thead> <tbody> <tr> <td>0</td> <td>0</td> <td>0</td> <td>0x40</td> </tr> <tr> <td>0</td> <td>0</td> <td>1</td> <td>0x42</td> </tr> <tr> <td>0</td> <td>1</td> <td>0</td> <td>0x44</td> </tr> <tr> <td>0</td> <td>1</td> <td>1</td> <td>0x46</td> </tr> <tr> <td>1</td> <td>0</td> <td>0</td> <td>0x48</td> </tr> <tr> <td>1</td> <td>0</td> <td>1</td> <td>0x4A</td> </tr> <tr> <td>1</td> <td>1</td> <td>0</td> <td>0x4C</td> </tr> <tr> <td>1</td> <td>1</td> <td>1</td> <td>0x4E</td> </tr> </tbody> </table> <p>Pins SAD0 and SAD1 are internally pulled down and SAD2 is internally pulled up. The default address when unconnected is 0x48.</p>	SAD2	SAD1	SAD0	(7 bit) I ² C Address	0	0	0	0x40	0	0	1	0x42	0	1	0	0x44	0	1	1	0x46	1	0	0	0x48	1	0	1	0x4A	1	1	0	0x4C	1	1	1	0x4E
SAD2	SAD1	SAD0	(7 bit) I ² C Address																																					
0	0	0	0x40																																					
0	0	1	0x42																																					
0	1	0	0x44																																					
0	1	1	0x46																																					
1	0	0	0x48																																					
1	0	1	0x4A																																					
1	1	0	0x4C																																					
1	1	1	0x4E																																					
SCL	19	18	I	I ² C clock signal input.																																				
SDA	20	19	I/O	I ² C bi-directional serial data signal.																																				
I/OUC	26	26	IO	System controller data I/O to/from the card. Includes an internal pull-up resistor to V _{DD} .																																				
AUX1UC	27	27	IO	System controller auxiliary data I/O to/from the card. Includes an internal pull-up resistor to V _{DD} .																																				
AUX2UC	28	28	IO	System controller auxiliary data I/O to/from the card. Includes an internal pull-up resistor to V _{DD} .																																				

2 Electrical Specifications

This section provides the following:

- [Absolute Maximum Ratings](#)
- [Recommended Operating Conditions](#)
- [Smart Card Interface Requirements](#)
- [Digital Signals Characteristics](#)
- [DC Characteristics](#)
- [I2C Interface Characteristics](#)
- [Voltage / Temperature Fault Detection Circuits](#)

2.1 Absolute Maximum Ratings

Table 2 lists the maximum operating conditions for the 73S8010R. Permanent device damage may occur if absolute maximum ratings are exceeded. Exposure to the extremes of the absolute maximum rating for extended periods may affect device reliability.

Table 2: Absolute Maximum Device Ratings

Parameter	Rating
Supply voltage V_{DD}	-0.5 to 6.0 VDC
Supply voltage V_{PC}	-0.5 to 6.0 VDC
Input voltage for digital inputs	-0.3 to ($V_{DD} + 0.5$) VDC
Storage temperature	-60 °C to +150 °C
Pin voltage (except card interface)	-0.3 to ($V_{DD} + 0.5$) VDC
Pin voltage (card interface)	-0.3 to ($V_{CC} + 0.5$) VDC
ESD tolerance – Card interface pins	+/- 6 kV
ESD tolerance – Other pins	+/- 2 kV

Note: ESD testing on smart card pins is HBM condition, 3 pulses, each polarity referenced to ground.

2.2 Recommended Operating Conditions

Function operation should be restricted to the recommended operating conditions specified in Table 3.

Table 3: Recommended Operating Conditions

Parameter	Rating
Supply voltage V_{DD}	2.7 to 5.5 VDC
Supply voltage V_{PC}	4.75 to 5.5 VDC
Ambient operating temperature	-40 °C to +85 °C
Input voltage for digital inputs	0 V to $V_{DD} + 0.3$ V

2.3 Smart Card Interface Requirements

Table 4 lists the 73S8010R Smart Card interface requirements.

Table 4: DC Smart Card Interface Requirements

Symbol	Parameter	Condition	Min	Nom	Max	Unit
Card Power Supply (V_{CC}) Regulator						
General Conditions: $-40\text{ }^{\circ}\text{C} < T < 85\text{ }^{\circ}\text{C}$, $4.75\text{ V} < V_{PC} < 5.5\text{ V}$, $2.7\text{ V} < V_{DD} < 5.5\text{ V}$						
V_{CC}	Card supply voltage including ripple and noise	Inactive mode	-0.1	–	0.1	V
		Inactive mode $I_{CC} = 1\text{ mA}$	-0.1	–	0.4	V
		Active mode; $I_{CC} < 65\text{ mA}$; 5 V	4.60	–	5.25	V
		Active mode; $I_{CC} < 90\text{ mA}$; 5 V	4.55	–		V
		Active mode; $I_{CC} < 90\text{ mA}$; 3 V	2.80	–	3.2	V
		Active mode; single pulse of 100 mA for 2 μs ; 5 V, fixed load = 25 mA	4.6	–	5.25	V
		Active mode; single pulse of 100 mA for 2 μs ; 3 V, fixed load = 25 mA	2.76	–	3.2	V
		Active mode; current pulses of 40 nAs with peak $ I_{CC} < 200\text{ mA}$, $t < 400\text{ ns}$; 5 V	4.6	–	5.25	V
		Active mode; current pulses of 40 nAs with peak $ I_{CC} < 200\text{ mA}$, $t < 400\text{ ns}$; 3 V	2.76	–	3.2	V
I_{CCmax}	Maximum supply current to the card	Static load current, $V_{CC} > 4.6$ or 2.7 volts as selected	90	–	–	mA
I_{CCF}	I_{CC} fault current		100	–	150	mA
V_{SR}	V_{CC} slew rate, rise rate on activate	$C_F = 3.3\text{ }\mu\text{F}$ on V_{CC}	0.02	0.05	0.08	V/ μs
V_{SF}	V_{CC} slew rate, fall rate on de-activate	$C_F = 3.3\text{ }\mu\text{F}$ on V_{CC}	0.025	0.06	0.08	V/ μs
C_F	External filter capacitor (V_{CC} to GND)		1	3.3	5	μF

Symbol	Parameter	Condition	Min	Nom	Max	Unit
Interface Requirements – Data Signals: I/O, AUX1, AUX2, and host interfaces: I/OUC, AUX1UC, AUX2UC. I_{SHORTL}, I_{SHORTH}, and V_{INACT} requirements do not pertain to I/OUC, AUX1UC, AUX2UC.						
V _{OH}	Output level, high (I/O, AUX1, AUX2)	I _{OH} = 0 μA	0.9 * V _{CC}	–	V _{CC} +0.1	V
		I _{OH} = -40 μA	0.75 * V _{CC}	–	V _{CC} +0.1	V
V _{OH}	Output level, high (I/OUC, AUX1UC, AUX2UC)	I _{OH} = 0 μA	0.9 * V _{CC}	–	V _{DD} +0.1	V
		I _{OH} = -40 μA	0.75 * V _{CC}	–	V _{DD} +0.1	V
V _{OL}	Output level, low	I _{OL} = 1 mA	–	–	0.3	V
V _{IH}	Input level, high (I/O, AUX1, AUX2)		1.8	–	V _{CC} +0.30	V
V _{IH}	Input level, high (I/OUC, AUX1UC, AUX2UC)		1.8	–	V _{CC} +0.30	V
V _{IL}	Input level, low		-0.3	–	0.8	V
V _{INACT}	Output voltage when outside of session	I _{OL} = 0	–	–	0.1	V
		I _{OL} = 1 mA	–	–	0.3	V
I _{LEAK}	Input leakage	V _{IH} = V _{CC}	–	–	10	μA
I _{IL}	Input current, low	V _{IL} = 0	–	–	0.65	mA
I _{SHORTL}	Short circuit output current	For output low, shorted to V _{CC} through 33 Ω	–	–	15	mA
I _{SHORTH}	Short circuit output current	For output high, shorted to ground through 33 Ω	–	–	15	mA
t _R , t _F	Output rise time, fall time	For I/O, AUX1, AUX2, C _L = 80 pF, 10% to 90%. For I/OUC, AUX1UC, AUX2UC, C _L =50 pF, 10% to 90%.	–	–	100	ns
t _{IR} , t _{IF}	Input rise, fall times		–	–	1	μs
R _{PU}	Internal pull-up resistor	Output stable for >200 ns	8	11	14	kΩ
FD _{MAX}	Maximum data rate		–	–	1	MHz
T _{FDIO}	Delay, I/O to I/OUC, I/OUC to I/O, AUX1 to AUX1UC, AUX1UC to AUX1, AUX2 to AUX2UC, AUX2UC to AUX2	Falling edge from master to slave measured at 50% point	60	100	200	ns
T _{RDIO}	Delay, I/O to I/OUC, I/OUC to I/O, AUX1 to AUX1UC, AUX1UC to AUX1, AUX2 to AUX2UC, AUX2UC to AUX2	Rising edge from master to slave measured at 50% point	–	25	90	ns
C _{IN}	Input capacitance		–	–	10	pF

Symbol	Parameter	Condition	Min	Nom	Max	Unit
Reset and Clock for card interface, RST, CLK						
V _{OH}	Output level, high	I _{OH} = -200 μA	0.9 * V _{CC}	–	V _{CC}	V
V _{OL}	Output level, low	I _{OL} = 200 μA	0	–	0.3	V
V _{INACT}	Output voltage when outside of session	I _{OL} = 0	–	–	0.1	V
		I _{OL} = 1 mA	–	–	0.3	V
I _{RST_LIM}	Output current limit, RST		–	–	30	mA
I _{CLK_LIM}	Output current limit, CLK		–	–	70	mA
t _R , t _F	Output rise time, fall time	C _L = 35 pF for CLK, 10% to 90%	–	–	8	ns
		C _L = 200 pF for RST, 10% to 90%	–	–	100	ns
δ	Duty cycle for CLK	C _L = 35 pF, F _{CLK} ≤ 20MHz	45	–	55	%

2.4 Digital Signals Characteristics

Table 5 lists the 73S8010R digital signals characteristics.

Table 5: Digital Signals Characteristics

Symbol	Parameter	Condition	Min	Nom	Max	Unit
Digital I/O except for OSC I/O						
V _{IL}	Input low voltage		-0.3	–	0.8	V
V _{IH}	Input high voltage		0.7 * V _{DD}	–	V _{DD} +0.3	V
V _{OL}	Output low voltage	I _{OL} = 2 mA		–	0.45	V
V _{OH}	Output high voltage	I _{OH} = -1 mA	V _{DD} -0.45	–		V
R _{OUT}	Pull-up resistor; \overline{INT}		–	20	–	kΩ
I _{IL1}	Input leakage current	GND < V _{IN} < V _{DD}	-5	–	5	μA
Oscillator (XTALIN) I/O						
V _{ILXTAL}	Input low voltage - XTALIN		-0.3	–	0.5	V
V _{IHXTAL}	Input high voltage - XTALIN		0.7*V _{DD}	–	V _{DD} +0.3	V
I _{ILXTAL}	Input current - XTALIN	GND < V _{IN} < V _{DD}	-30	–	30	μA

2.5 DC Characteristics

Table 6 lists the DC characteristics.

Table 6: DC Characteristics

Symbol	Parameter	Condition	Min	Nom	Max	Unit
I _{DD}	Supply current on V _{DD}		–	1.5	3.0	mA
I _{PC}	Supply current on V _{PC}	V _{CC} on, I _{CC} = 0 I/O, AUX1, AUX2 = high	–	0.45	0.65	mA

2.6 I²C Interface Characteristics

Table 7 lists the I²C Interface characteristics.

Table 7: I²C Characteristics

Symbol	Parameter	Condition	Min	Nom	Max	Unit
V _{IL}	Input low voltage		-0.3	–	0.3 * V _{DD}	V
V _{IH}	Input high voltage		0.7 * V _{DD}	–	V _{DD} +0.3	V
V _{OL}	Output low voltage	I _{OL} = 3 mA	–	–	0.40	V
C _{IN}	Pin capacitance		–	–	10	pF
I _{IN}	Output high voltage	I _{OH} = -1 mA	V _{DD} - 0.45	–		V
T _F	Output fall time	C _L = 0 to 400 pF	20 + 0.1*C _L	–	250	ns
T _{SP}	Pulse width of spikes that are suppressed	Transition from valid logic level to opposite level	–	–	50	ns

2.7 Voltage / Temperature Fault Detection Circuits

Table 8 lists the voltage / temperature fault detection circuits.

Table 8: Voltage / Temperature Fault Detection Circuits

Symbol	Parameter	Condition	Min	Nom	Max	Unit
V _{DDF}	V _P over-current fault	No external resistor on VDDF_ADJ pin	2.15	–	2.4	V
V _{PCF}	V _{PC} fault (V _{PC} Voltage Supervisor threshold)	V _{PC} < V _{CC} , a transient event	–	V _{CC} - 0.2	–	V
V _{CCF}	V _{CC} fault (V _{CC} Voltage Supervisor threshold)	V _{CC} = 5 V	4.20	–	4.55	V
		V _{CC} = 3 V	2.5	–	2.7	V
T _F	Die over temperature fault		115	–	145	°C

3.2 System Controller Interface (I²C Bus)

A fast-mode 400 kHz I²C bus slave interface is used for controlling the 73S8010R device and reading the status of the device via the data pin SDA and clock pin SCL. The bus has 3 address select pins, SAD0, SAD1, and SAD2. This allows up to 8 devices to be connected in parallel. Table 9 lists the device address selections for the SAD2:0 settings.

Table 9: Device Address Selection

SAD2	SAD1	SAD0	(7 bit) I ² C Address
0	0	0	0x40
0	0	1	0x42
0	1	0	0x44
0	1	1	0x46
1	0	0	0x48
1	0	1	0x4A
1	1	0	0x4C
1	1	1	0x4E



Bit 0 of the I²C address is the R/W bit. Refer to [Figure 5](#) and [Figure 6](#) for usage.

Table 10 describes the Control Register Bits.

Table 10: Control Register Description
Power-on-reset value = 0x00

Name	Bit	Description
Start/Stop	0	When set, initiates an activation and a cold reset procedure; when reset, initiates a deactivation sequence.
Warm reset	1	When set, initiates a warm reset procedure; automatically reset by hardware when the card starts answering or when the card is declared mute.
5 V and 3 V	2	When set, V _{CC} = 3 V; when reset, V _{CC} = 5 V. When de-activating (setting bit 0 = 0) and operating with 3 V (bit 2 = 1), do not simultaneously set bit 2 = 0.
Clock Stop	3	When set, the card clock is stopped. Bit 4 determines the card clock stop level.
Clock Stop Level	4	When set, card clock stops high; when reset card clock stops low.
Clksel1	5	Bits 5 and 6 determine the clock rate to the card. See Table 11 for more details.
Clksel2	6	
I/O enable	7	I/O enable bit. When set, I/O is transferred on I/OUC; when reset I/O to I/OUC is high impedance.

Table 11: Card Clock Rate Selection

Bit Clksel2	Bit Clksel1	Card Clock
0	0	Clkin/8
0	1	Clkin/4
1	0	Clkin/2
1	1	Clkin (Xtalin)

I²C-bus Write to Control Register

The I²C-bus Write command to the control register follows the format shown in Figure 5. After the START condition, the master sends a slave address. This address is seven bits long followed by an eighth bit which is an opcode bit (R/W) – a ‘zero’ indicates the master will write data to the control register. After the R/W bit, the ‘zero’ ACK bit is sent to the master by the device. The master now starts sending the 8 bits of data to the control register during the DATA bits. After the DATA bits, the ‘zero’ ACK bit is sent to the master by the device. The master should send the STOP condition after receiving this ACK bit.

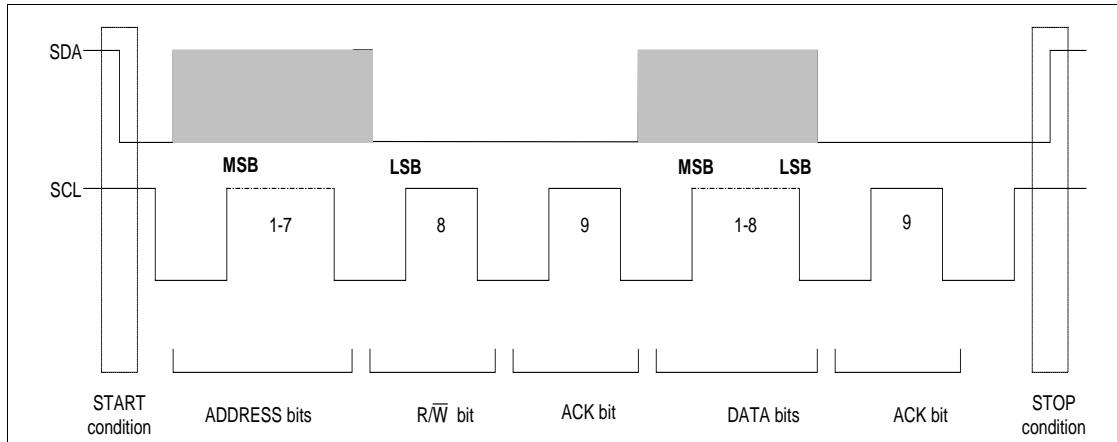


Figure 5: I²C Bus Write Protocol

Table 12 describes the Status Register bits.

Table 12: Status Register Description
Power On Reset = 0x04

Name	Bit	Description
PRES	0	Set when the card is present (pin PRES is high); reset when the card is not present.
PRESL	1	Set when the PRES pin changes state (rising/falling edge); reset when the status register is read. Generates an interrupt when set.
I/O	2	Set when I/O is high; reset when I/O is low.
SUPL	3	Set when a voltage fault is detected; reset when the status register is read. Generates an interrupt when set.
PROT	4	Set when an over-current or over-heating fault has occurred during a card session; reset when the status register is read. Generates an interrupt when set.
MUTE	5	Set during ATR when the card has not answered during the ISO 7816-3 time window (40000 card clock cycles); reset when the next session begins.
EARLY	6	Set during ATR when the card has answered before 400 card clock cycles; reset when the next session begins.
ACTIVE	7	Set when the card is active (V_{CC} is on); reset when the card is inactive.

I²C-bus Read from Status Register

The I²C-bus Read Command from the Status Register follows the format shown in Figure 6. After the START condition, the master sends a slave address. This address is seven bits long followed by an eighth bit which is an opcode bit (R/W) – a ‘one’ indicates the master will read data from the status register. After the R/W bit, the ‘zero’ ACK bit is sent to the master by the device. The device now starts sending the 8-bit status register data to the control register during the DATA bits. After the DATA bits, the ‘one’ ACK bit is sent to the device by the master. The master should send the STOP condition after receiving the ACK bit.

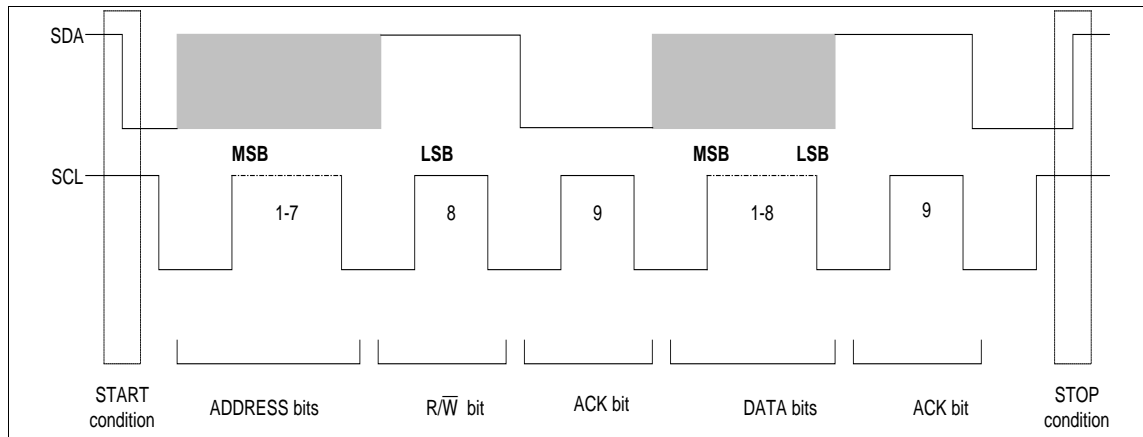
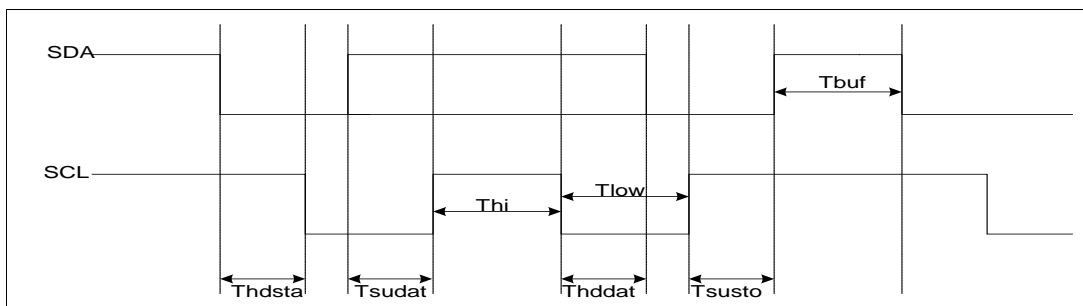
Figure 6: I²C Bus Read ProtocolFigure 7: I²C Bus Timing Diagram

Table 13: I2C Bus Timing Parameters

Symbol	Parameter	Min.	Typ.	Max.	Unit
Fsclk	Clock frequency	–	–	400	kHz
Tlow	Clock low	1.3	–	–	μs
Thi	Clock high	0.6	–	–	μs
Thdsta	Hold time START condition	0.6	–	–	μs
Tsudat	Data setup time	100	–	–	ns
Thddat	Data hold time	5	–	900	ns
Tsusto	Set up time STOP condition	0.6	–	–	μs
Tbuf	Bus free time between a STOP and START condition	1.3	–	–	μs

3.3 Power Supply and Voltage Supervision

The Teridian 73S8010R smart card interface IC incorporates a LDO voltage regulator. The voltage output is controlled by the digital input 5V/3V. This regulator is able to provide either 3 V or 5 V card voltage from the power supply applied on the VPC pin.

Digital circuitry is powered by the power supply applied on the VDD pin. V_{DD} also defines the voltage range to interface with the system controller.

Three voltage supervisors constantly check the presence of the voltages V_{DD}, V_{PC} and V_{CC}. A card deactivation sequence is forced upon fault of any of these voltage supervisors. The two voltage supervisors for V_{PC} and V_{CC} are linked so that a fault is generated to activate a deactivation sequence when the voltage V_{PC} becomes lower than V_{CC}. This allows the 73S8010R to operate at lower V_{PC} voltage when using 3 V cards only.

The voltage regulator can provide a current of at least 90 mA on V_{CC} which easily complies with the EMV 4.0 specification. The V_{PC} voltage supervisor threshold values are defined from the EMV 4.0 standard. A third voltage supervisor monitors the V_{DD} voltage. It is used to initialize the ISO-7816-3 sequencer at power-on, and to deactivate the card at power-off or upon a fault. The voltage threshold of the V_{DD} voltage supervisor is internally set by default to 2.3 V nominal. However, it may be desirable in some applications to modify this threshold value. The pin VDDF_ADJ (pin 18 in the SO package, pin 17 in the QFN package) is used to connect an external resistor R_{EXT} to ground to raise the V_{DD} fault voltage to another value V_{DDF}. The resistor value is defined as follows:

$$R_{EXT} = 56 \text{ k}\Omega / (V_{DDF} - 2.33)$$

An alternative (more accurate) method of adjusting the V_{DD} fault voltage is to use a resistive network of R3 from the pin to supply and R1 from the pin to ground (see [Figure 4](#)). In order to set the new threshold voltage, the equivalent resistance must be determined. This resistance value will be designated Kx. Kx is defined as R1/(R1+R3). Kx is calculated as:

$$Kx = (2.789 / V_{TH}) - 0.6125 \text{ where } V_{TH} \text{ is the desired new threshold voltage.}$$

To determine the values of R1 and R3, use the following formulas.

$$R3 = 24000 / Kx \quad R1 = R3 * (Kx / (1 - Kx))$$

Taking the example above, where a V_{DD} fault threshold voltage of 2.7 V is desired, solving for Kx gives:
 $\rightarrow Kx = (2.789 / 2.7) - 0.6125 = 0.42046$.

Solving for R3 gives: $\rightarrow R3 = 24000 / 0.42046 = 57080$.

Solving for R1 gives: $\rightarrow R1 = 57080 * (0.42046 / (1 - 0.42046)) = 41412$.

Using standard 1 % resistor values gives R3 = 57.6 K Ω and R1 = 42.4 K Ω .

These values give an equivalent resistance of Kx = 0.4228, a 0.6% error.

If the 2.3 V default threshold is used, this pin must be left unconnected.

3.4 Card Power Supply

The card power supply is provided by the LDO regulator, and controlled by the digital ISO-7816-3 sequencer. Card voltage selection is carried out by bit 2 of the control register.

Choice of the V_{CC} capacitor:

Depending on the application, the requirements in terms of both the V_{CC} minimum voltage and the transient currents that the interface must be able to provide to the card are different. An external capacitor must be connected between the VCC pin and the card ground in order to guarantee stability of the LDO regulator, and to handle the transient requirements. The type and value of this capacitor can be optimized to meet the desired specification. Table 14 shows the recommended capacitors for each V_{PC} power supply configuration and applicable specification.

Table 14: Choice of VCC Pin Capacitor

Specification Requirements			System Requirements		
Specification	Min V_{CC} Voltage allowed during transient current	Max Transient Current Charge	Min V_{PC} Power Supply required	Capacitor Type	Capacitor Value
EMV 4.0	4.6 V	30 nA·s	4.75 V	X5R/X7R with ESR<100 mΩ	3.3 ΩF
ISO-7816-3	4.5 V	20 nA·s	4.75 V		1 ΩF

3.5 Over-temperature Monitor

A built-in detector monitors die temperature. When an over-temperature condition occurs (resulting from a heavily loaded card interface, including short circuits, for example), a card deactivation sequence is initiated, and a fault condition is reported to the system controller (bit 4 of the status register is set and an interrupt is generated).

3.6 On-chip Oscillator and Card Clock

The Teridian 73S8010R device has an on-chip oscillator that can generate the smart card clock using an external crystal connected between the XTALIN and XTALOUT pins to set the oscillator frequency. When the card clock signal is available from another source, it can be connected to the pin XTALIN, and in this case, the XTALOUT pin should be left unconnected.

The card clock frequency may be chosen from 4 different division rates, defined by the ClkSel2 and ClkSel1 bits (bits 5 and 6) of the I²C Control register, as listed in Table 15.

Table 15: Card Clock Divisor Options

ClkSel2	ClkSel1	Card Clock
0	0	Clkin / 8
0	1	Clkin / 4
1	0	Clkin / 2
1	1	Clkin (Xtalin)

3.7 Activation Sequence

After Power on Reset, the signal $\overline{\text{INT}}$ is low until the V_{DD} is stable. When V_{DD} has been stable for approximately 10 ms and the signal $\overline{\text{INT}}$ is high, the system controller may read the status register to see if the card is present. If all the status bits are satisfied, the system controller can initiate the activation sequence by writing a '1' to the Start/Stop bit (bit 0) of the control register.

The following steps and Figure 8 show the activation sequence and the timing of the card control signals when the system controller initiates the Start/Stop bit (bit 0) of the control register:

1. Voltage V_{CC} to the card should be valid by the end of t_1 . If V_{CC} is not valid for any reason, then the session is aborted.
2. Turn I/O to reception mode at the end of t_1 .
3. CLK is applied to the card at the end of t_2 .
4. RST (to the card) is set high at the end of t_3 .

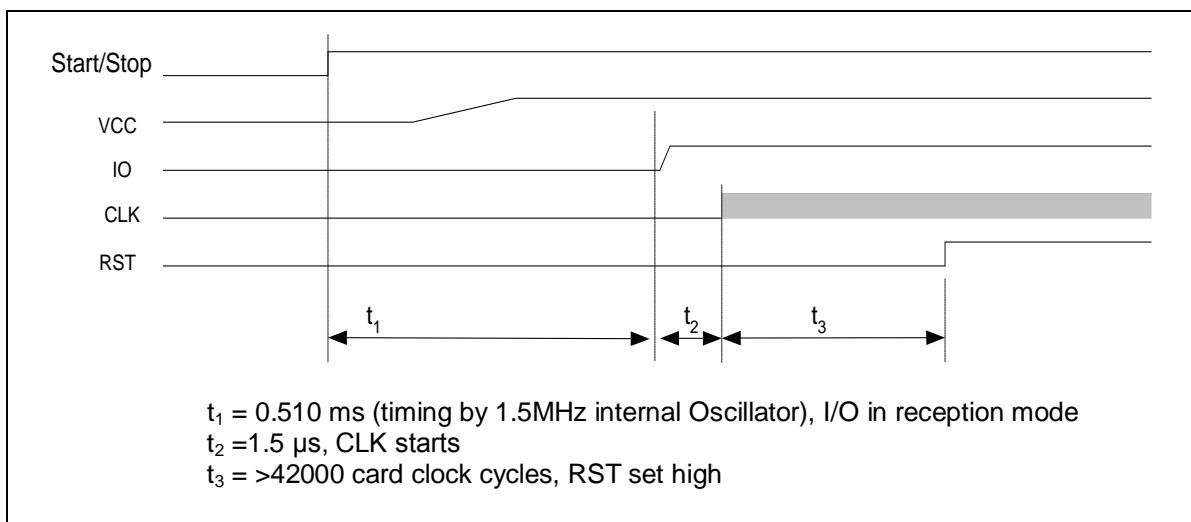


Figure 8: Activation Sequence

3.8 Deactivation Sequence

Deactivation is initiated either by the system controller by resetting the Start/Stop bit, or automatically in the event of hardware faults. Hardware faults are over-current, over-temperature, V_{DD} fault, V_{PC} fault, V_{CC} fault, and card extraction during the session.

The following steps and Figure 9 show the deactivation sequence and the timing of the card control signals when the system controller clears the start/stop bit:

1. RST goes low at the end of t_1 .
2. CLK goes low at the end of t_2 .
3. I/O goes low at the end of t_3 . Out of reception mode.
4. Shut down V_{CC} at the end of time t_4 .

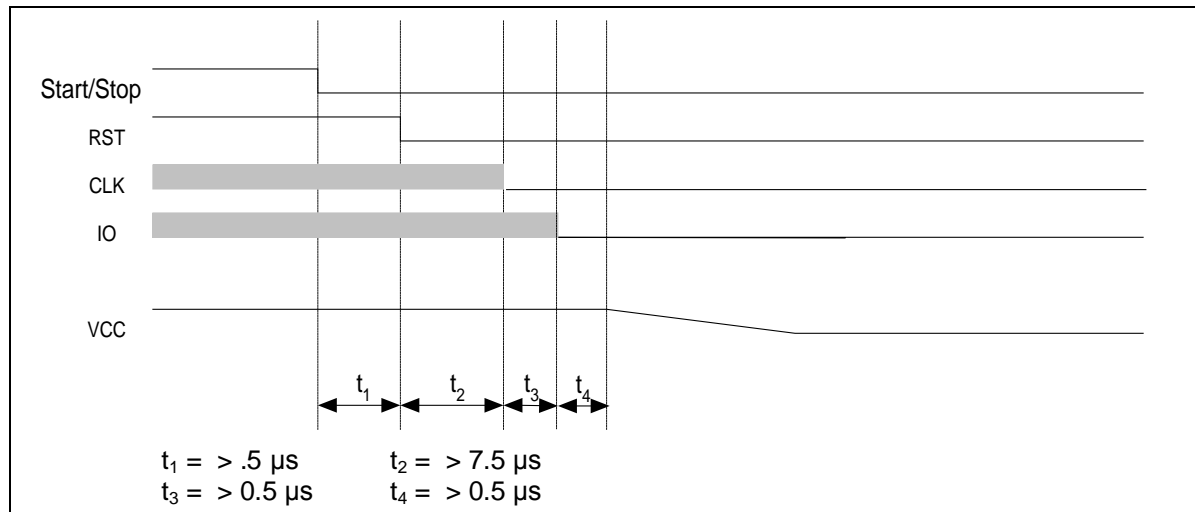


Figure 9: Deactivation Sequence

3.9 Interrupt

The Interrupt is an active low interrupt. It is set low if any of the following internal faults are detected:

- V_{CC} fault
- V_{DD} fault
- V_{PC} fault

The interrupt will also be set if one of the following status bit conditions is detected:

- Early ATR
- Mute ATR
- Card insert or card extract
- Protection status from Over-current or Over-heating

When the interrupt is set low by the detection of one of the status bits, it is set high when the status bits are read. (READ STATUS DONE) Figure 10 shows the interrupt operation resulting from the fault or status bit conditions.

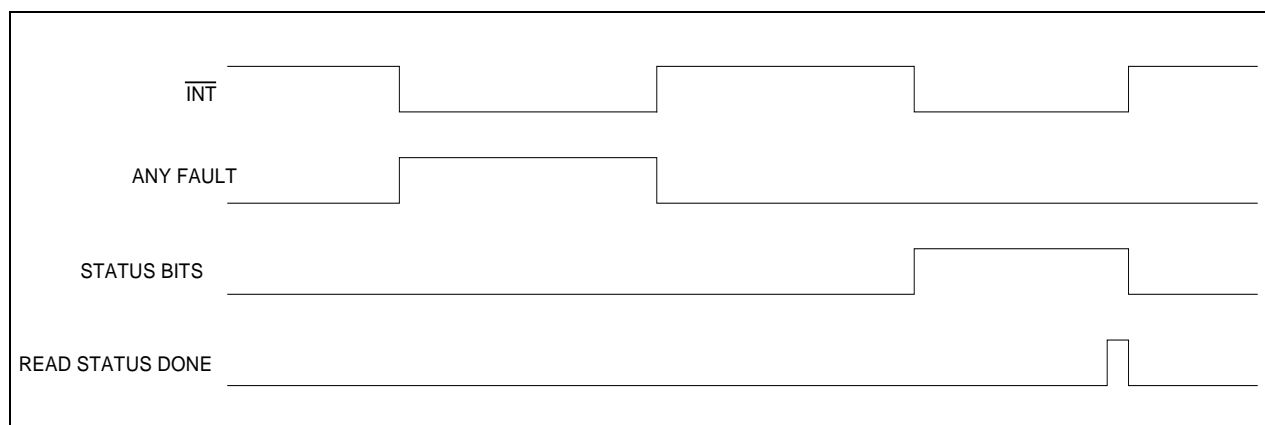


Figure 10: Interrupt operation due to Fault and Status Conditions

A power-on-reset event will reset all of the control and status registers to their default states. A V_{DD} fault event does not reset these registers, but it will signal an interrupt condition and by the action of the timer that creates the interval " t_1 ," not clearing the interrupt until V_{DD} is valid for at least t_1 . A V_{DD} fault can be considered valid for V_{DD} as low as 1.5 to 1.8 volts. At the lower range of V_{DD} fault, POR will be asserted.

3.10 Warm Reset

The 73S8010R automatically asserts a warm reset to the card when instructed through bit 1 of the I²C Control register (bit Warm Reset). The warm reset length is automatically defined as 42,000 card clock cycles. The Warm Reset bit is automatically reset when the card starts answering or when the card is declared mute.

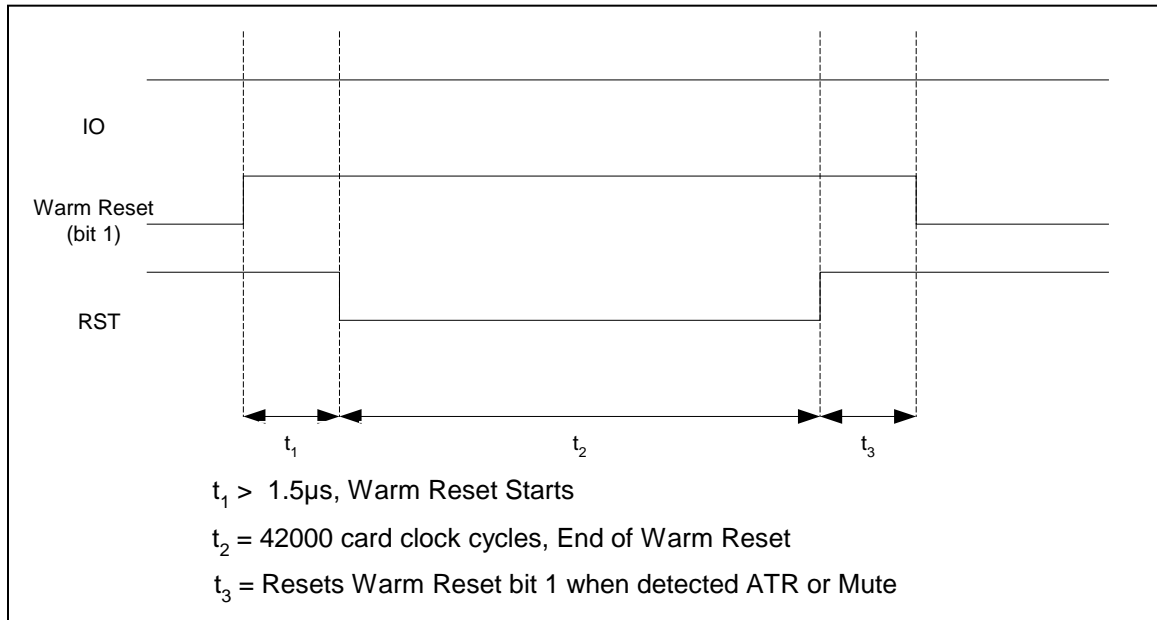


Figure 11: Warm Reset Operation

3.11 I/O Circuitry and Timing

The states of the I/O, AUX1, and AUX2 pins are low after power-on-reset and they are high when the activation sequencer enables the I/O reception state. See [Section 3.7 Activation Sequence](#) for more details on when the I/O reception is enabled. The states of the I/OUC, AUX1UC, and AUX2UC are high after power on reset.

When the control I/O enable bit (bit 7) of the control register is set, the first I/O line on which a falling edge is detected becomes the input I/O line and the other becomes the output I/O line. When the input I/O line rising edge is detected, then both I/O lines return to their neutral state. The delay between these signals is shown in Figure 12.

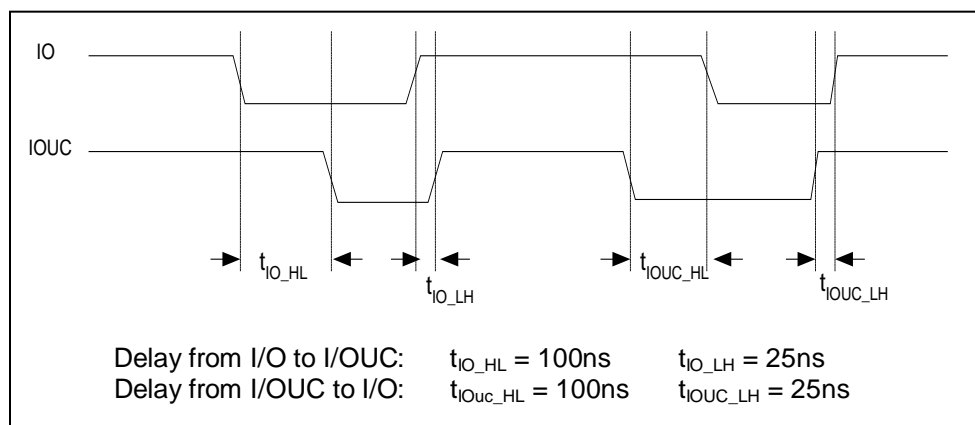


Figure 12: I/O Timing Diagram

4 Mechanical Drawings

4.1 32-pin QFN

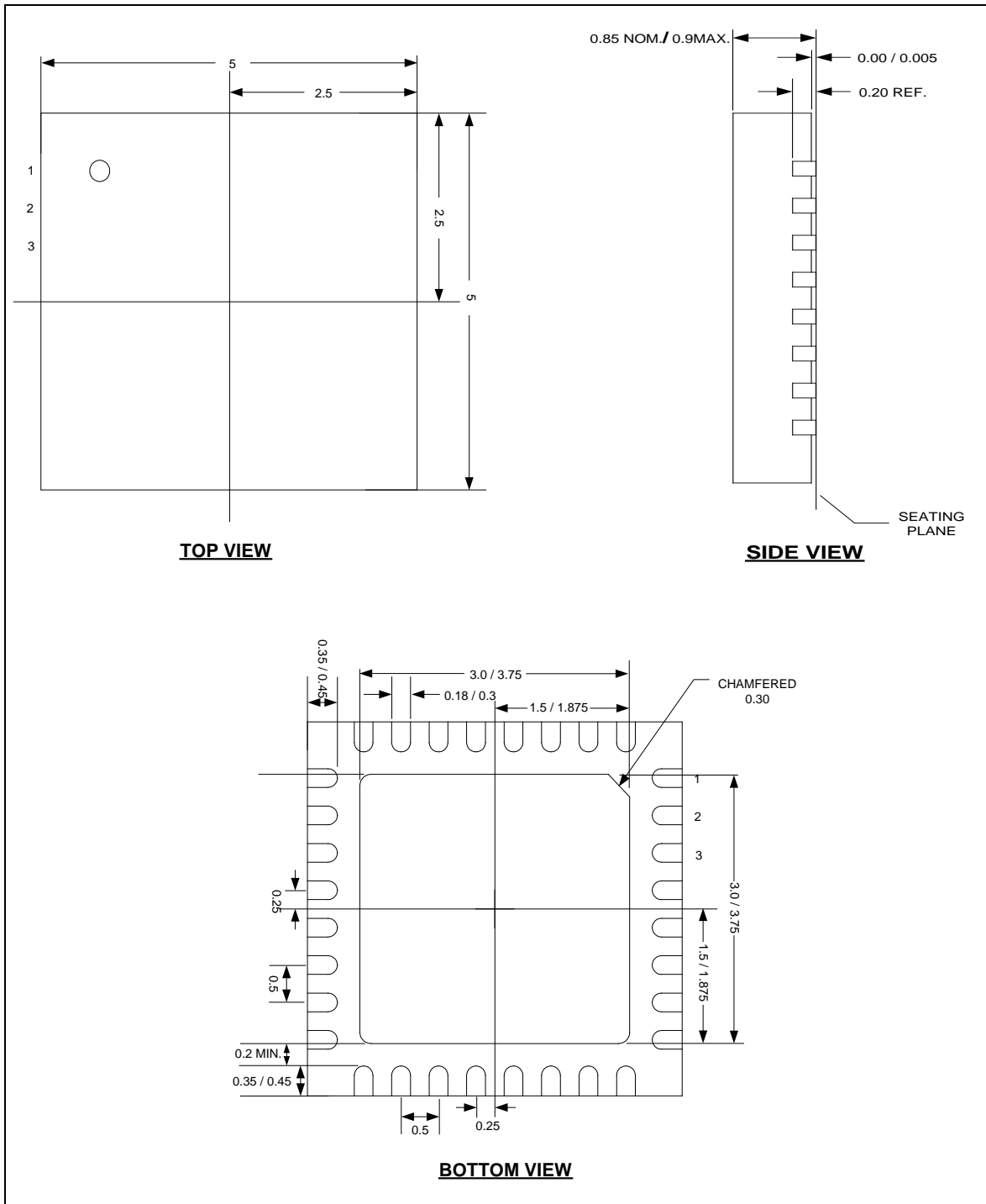


Figure 13: 32-pin QFN Package Dimensions

4.2 28-Pin SO

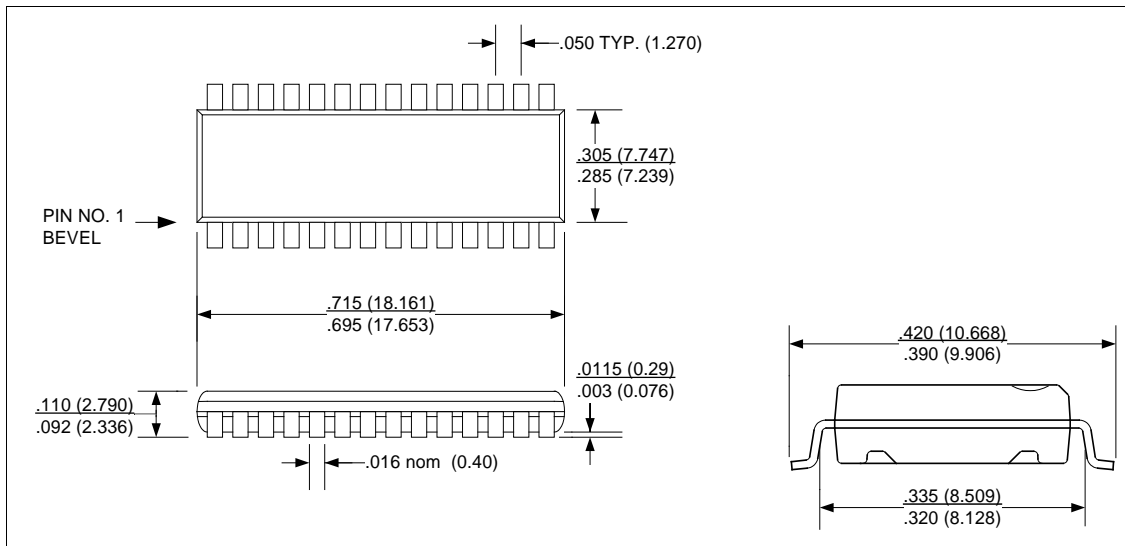


Figure 14: 28-Pin SO Package Dimensions

5 Ordering Information

Table 16 lists the order numbers and packaging marks used to identify 73S8010R products.

Table 16: Order Numbers and Packaging Marks

Part Description	Order Number	Packaging Mark
73S8010R–SOL, 28-pin Lead-Free SO	73S8010R -IL/F	73S8010R -IL
73S8010R–SOL, 28-pin Lead-Free SO Tape / Reel	73S8010R -ILR/F	73S8010R -IL
73S8010R–QFN, 32-pin Lead-Free QFN	73S8010R -IM/F	73S8010R
73S8010R–QFN, 32-pin Lead-Free QFN Tape / Reel	73S8010R -IMR/F	73S8010R

6 Related Documentation

The following 73S8010R documents are available from Teridian Semiconductor Corporation:

73S8010R 28SO Demo Board User's Guide

7 Contact Information

For more information about Teridian Semiconductor products or to check the availability of the 73S8010R, contact us at:

6440 Oak Canyon Road
Suite 100
Irvine, CA 92618-5201

Telephone: (714) 508-8800
FAX: (714) 508-8878
Email: scr.support@teridian.com

For a complete list of worldwide sales offices, go to <http://www.teridian.com>.

Revision History

Revision	Date	Description
1.0	7/1/2004	First publication.
1.1	11/10/2004	Make revisions to all references of "I/O" as it relates to the pins for the smart card and microcontroller interfaces, i.e. IO -> I/O and IOUC -> I/OUC. This is done to insure consistency and follow the designations used in ISO 7816. Remove the MLP pin numbering in the pin description. Correct the clock division table under CARD CLOCK. Change the value of R2 on the typical application schematic. The original value is 100 K Ω and the updated value is 10 K Ω . The PRES input has a high impedance pull down resistor and the 100 K Ω for R2 is too high to insure a valid logic level on this input.
1.3	10/26/2005	Remove NDS references in application schematic.
1.5	1/21/2008	Removed leaded package option, replaced 32QFN punched with SAWN, updated 28SO dimension. Changed dimension of bottom exposed pad on 32QFN mechanical package figure.
1.6	8/28/2009	Added Section 6, Related Documentation and Section 7, Contact Information. Formatted to the corporate style. Added document number. Miscellaneous editorial changes.

Teridian Semiconductor Corporation is a registered trademark of Teridian Semiconductor Corporation.
Simplifying System Integration is a trademark of Teridian Semiconductor Corporation.
All other trademarks are the property of their respective owners.

This Data Sheet is proprietary to Teridian Semiconductor Corporation (TSC) and sets forth design goals for the described product. The data sheet is subject to change. TSC assumes no obligation regarding future manufacture, unless agreed to in writing. If and when manufactured and sold, this product is sold subject to the terms and conditions of sale supplied at the time of order acknowledgment, including those pertaining to warranty, patent infringement and limitation of liability. Teridian Semiconductor Corporation (TSC) reserves the right to make changes in specifications at any time without notice. Accordingly, the reader is cautioned to verify that a data sheet is current before placing orders. TSC assumes no liability for applications assistance.

Teridian Semiconductor Corp., 6440 Oak Canyon, Suite 100, Irvine, CA 92618
TEL (714) 508-8800, FAX (714) 508-8877, <http://www.teridian.com>