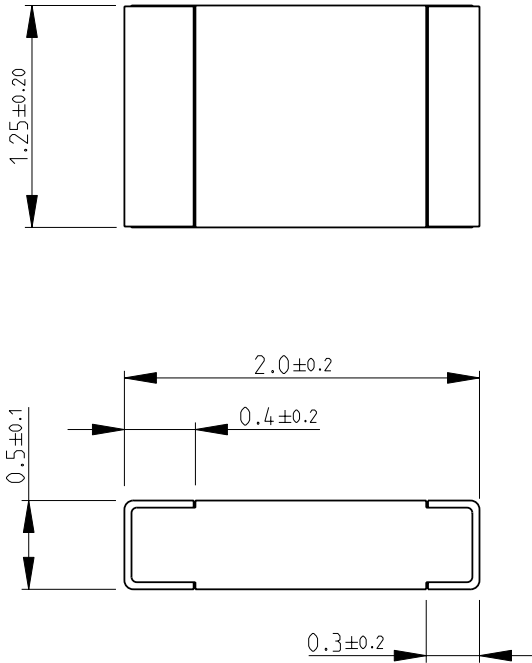
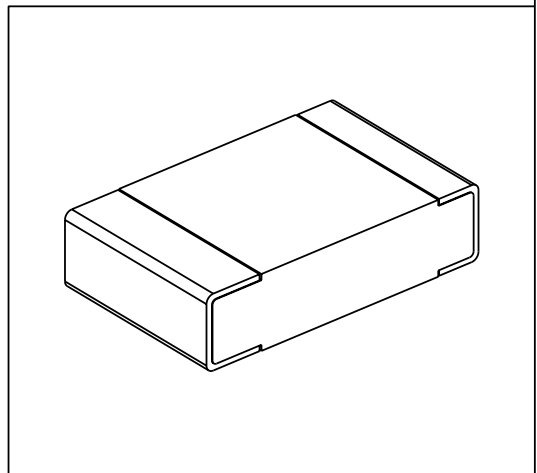


LOC	DIST	REVISIONS				
P	LTR	DESCRIPTION	DATE	DWN	APVD	
E	B	BA2	REVISED PER ECO-11-005150	29MAR2011	RK	HMR

FOR FURTHER INFORMATION SEE DATA SHEET FOR CPF SERIES-THIN FILM PRECISION CHIP RESISTORS



RoHS Compliant



2008

RELEASED FOR PUBLICATION

ALL RIGHTS RESERVED.

© COPYRIGHT 2008

THIS DRAWING IS UNPUBLISHED.

DIMENSIONS: mm	DWN	22-Sep-08	MATERIAL	FINISH			
	SUBHASH.M		-	-			
TOLERANCES UNLESS OTHERWISE SPECIFIED: 0 PLC ± 0.2 1 PLC ± 0.1 2 PLC $\pm -$ 3 PLC $\pm -$ 4 PLC $\pm -$ ANGLES $\pm 5^\circ$	CHK	22-Sep-08					
	PRAKASH.S						
	APVD	22-Sep-08	THIN FILM PRECISION CHIP RESISTORS SERIES CPF 0805				
	STEPHEN.P						
PRODUCT SPEC	-	NAME	SIZE	CAGE CODE	DRAWING NO	RESTRICTED TO	
APPLICATION SPEC	-		A 4	00779	© = 1614883	-	
WEIGHT	-	CUSTOMER DRAWING		SCALE	25:1	SHEET 1 OF 1	REV BA2