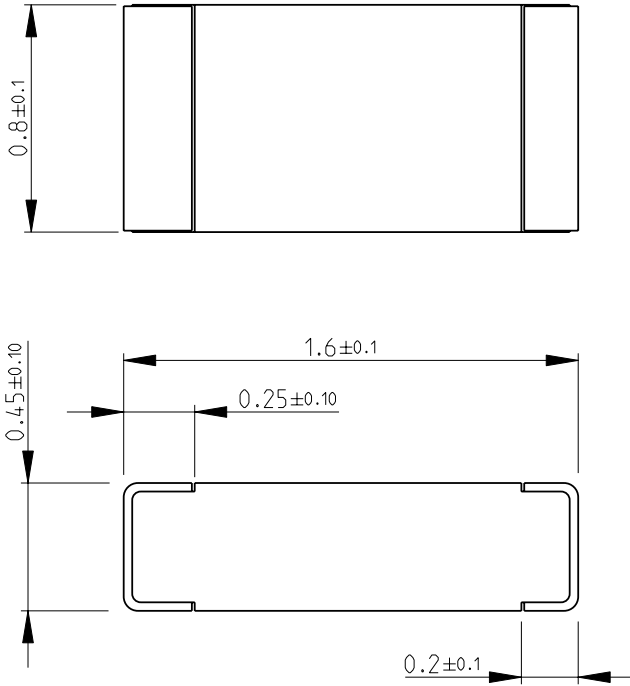
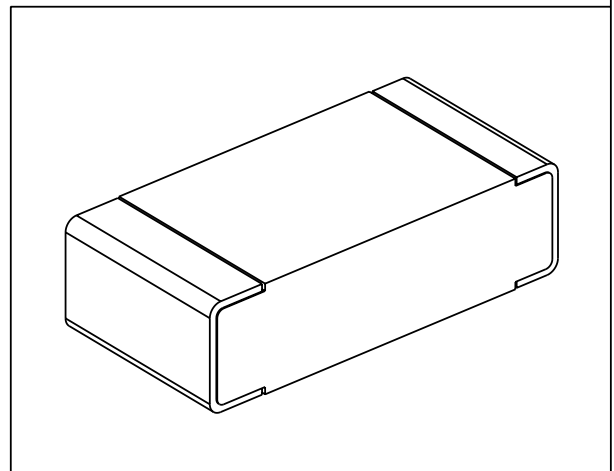


LOC	DIST	REVISIONS				
P	LTR	DESCRIPTION	DATE	DWN	APVD	
E	B	BA2	REVISED PER ECO-11-005150	29MAR2011	RK	HMR

FOR FURTHER INFORMATION SEE DATA SHEET FOR
CPF SERIES-THIN FILM PRECISION CHIP RESISTORS



RoHS Compliant



2008

RELEASED FOR PUBLICATION

ALL RIGHTS RESERVED.

BY -

2008

THIS DRAWING IS UNPUBLISHED.

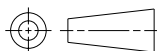


DIMENSIONS:

mm

TOLERANCES UNLESS OTHERWISE SPECIFIED:

- 0 PLC ± 0.2
- 1 PLC ± 0.1
- 2 PLC $\pm -$
- 3 PLC $\pm -$
- 4 PLC $\pm -$
- ANGLES $\pm 5^\circ$



DWN SUBHASH.M 02-DEC-08

MATERIAL - FINISH -

CHK PRAKASH.S 02-DEC-08

APVD STEPHEN.P 02-DEC-08

PRODUCT SPEC -

APPLICATION SPEC -

WEIGHT -

NAME THIN FILM PRECISION CHIP RESISTORS

TE Connectivity

SERIES CPF 0603

SIZE A4 CAGE CODE 00779 DRAWING NO. C= 1614881 RESTRICTED TO -

CUSTOMER DRAWING

SCALE 40:1 SHEET 1 OF 1 REV BA2