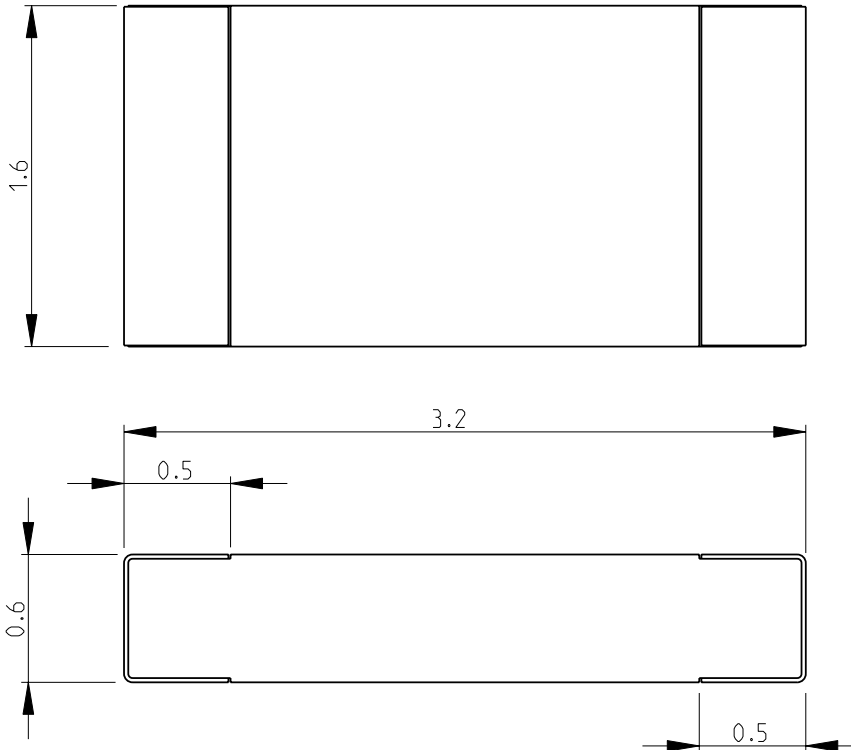
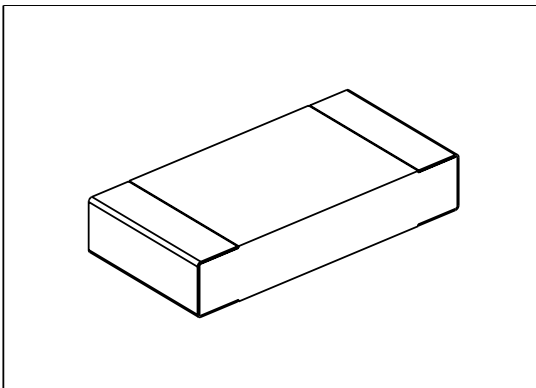


LOC	DIST	REVISIONS					
E	B	P	LTR	DESCRIPTION	DATE	DWN	APVD
				BA1		REVISED PER ECO-11-005150	31MAR2011

FOR FURTHER INFORMATION SEE DATA SHEET FOR
SERIES TL2B - SMD LOW-OHMIC CURRENT SENSE RESISTORS



RoHS Compliant



2009

RELEASED FOR PUBLICATION

ALL RIGHTS RESERVED.

THIS DRAWING IS UNPUBLISHED.

© COPYRIGHT 2009

DIMENSIONS: mm	DWN	30NOV2009	MATERIAL	-	FINISH	-
	MAHARUDRA					
TOLERANCES UNLESS OTHERWISE SPECIFIED:	CHK	30NOV2009				
	ALLAN.P					
0 PLC ±0.2	APVD	30NOV2009	NAME SMD LOW-OHMIC CURRENT SENSE RESISTORS SERIES TL2B			
1 PLC ±0.1	STEPHEN.P					
2 PLC ±	PRODUCT SPEC	-	SIZE	CAGE CODE	DRAWING NO	RESTRICTED TO
3 PLC ±	APPLICATION SPEC	-	A 4	00779	©=1625826	-
4 PLC ±	WEIGHT	-	CUSTOMER DRAWING			
ANGLES ±5°			SCALE	30:1	SHEET	1 OF 1
			REV BA1			