

4

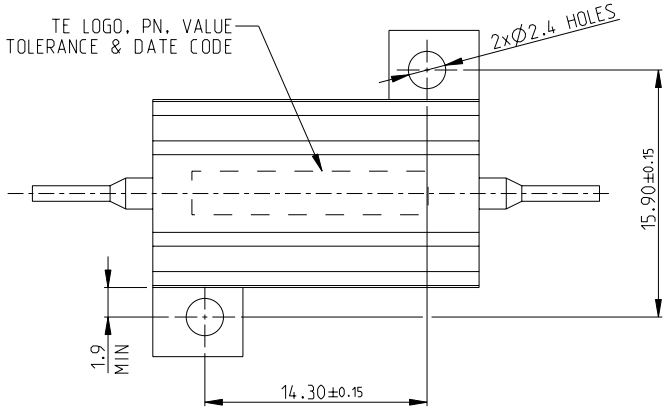
3

2

1

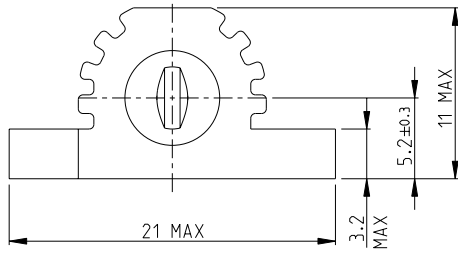
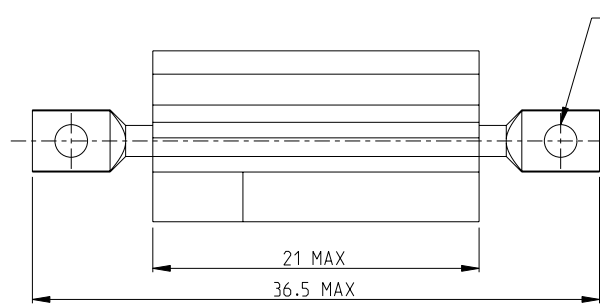
THIS DRAWING IS UNPUBLISHED. RELEASED FOR PUBLICATION JAN. 2005
 © COPYRIGHT 2005 BY TYCO ELECTRONICS CORPORATION. ALL RIGHTS RESERVED.

LOC	DIST	REVISIONS			
P	LTR	DESCRIPTION	DATE	DWN	APVD
C1		Released as per ECR-08-022292	4-Sep-08	SP	JC

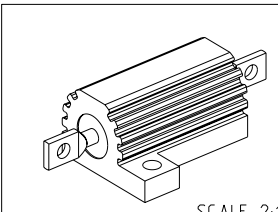


- 1 FOR FURTHER INFORMATION SEE DATA SHEET FOR HS SERIES-ALUMINIUM HOUSED RESISTORS
- 2 FOR A SPECIFIC PN FOR A RESISTANCE VALUE AND TOLERANCE, PLEASE REFER TO DMF
- 3 TECHNICAL SPECIFICATION

DISSIPATION AT 25°C : 16 WATTS MOUNTED ON STANDARD HEATSINK
 BS OHMIC RANGE : R051 TO 14K
 STABILITY : ΔR < =1% PER 1000Hrs
 ISOLATION VOLTAGE : 1400V DC/AC pk
 MAX WORKING VOLTAGE : 250V DC/AC rms
 TEMP COEFFICIENT : > 1R0 50ppm
 > 100R 25ppm
 CLIMATIC CATEGORY : 55/200/56



RoHS Compliant



SCALE 2:1

<small>THIS DRAWING IS A CONTROLLED DOCUMENT FOR TYCO ELECTRONICS CORPORATION. IT IS SUBJECT TO CHANGE AND THE CONTROLLING ENGINEERING ORGANIZATION SHOULD BE CONTACTED FOR THE LATEST REVISION.</small>		OWN	15.AUG.02	Tyco Electronics Corporation Dorcan, Swindon, SN3 5HH
DIMENSIONS:		CHK	-	
mm	TOLERANCES UNLESS OTHERWISE SPECIFIED:	APVD	-	
0 PLC ±0.5 1 PLC ±0.2 2 PLC ±0.1 3 PLC ± 4 PLC ± ANGLES ±	FINISH	NAME	HSA10 METAL CLAD RESISTOR	
MATERIAL	-	APPLICATION SPEC	-	RESTRICTED TO
SIZE	A3	WEIGHT	-	SIZE
CAGE CODE	00779	CUSTOMER DRAWING	-	CAGE CODE
DRAWING NO	C=1625966	SCALE	4:1	DRAWING NO
RESTRICTED TO	-	SHEET	1 OF 1	RESTRICTED TO
REV	C1			REV

AMP 1470-19 REV 31MAR2000
 Pro/ENGINEER DRAWING