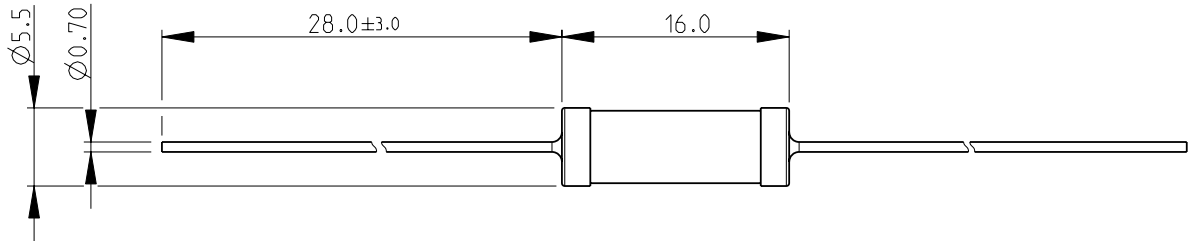
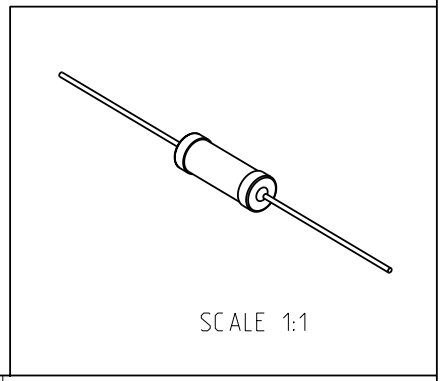


LOC	DIST	REVISIONS					
E	B	P	LTR	DESCRIPTION	DATE	DWN	APVD
			BA1	REVISED PER ECO-11-005150	29MAR2011	RK	HMR

FOR FURTHER INFORMATION SEE DATA SHEET FOR CFR SERIES-CARBON FILM FIXED RESISTORS



RoHS Compliant



2008
 RELEASED FOR PUBLICATION
 ALL RIGHTS RESERVED.
 BY -
 THIS DRAWING IS UNPUBLISHED.
 © COPYRIGHT 2008

DIMENSIONS: mm TOLERANCES UNLESS OTHERWISE SPECIFIED: 0 PLC ± 0.2 1 PLC ± 0.1 2 PLC $\pm -$ 3 PLC $\pm -$ 4 PLC $\pm -$ ANGLES $\pm 5^\circ$	DWN SUBHASH.M 20-Sep-08 CHK PRAKASH.S 20-Sep-08 APVD STEPHEN.P 20-Sep-08 PRODUCT SPEC - APPLICATION SPEC - WEIGHT -	MATERIAL - FINISH -	NAME CARBON FILM FIXED RESISTORS SERIES CFR200		
	SIZE A 4 CAGE CODE 00779 DRAWING NO. C= 1623929	RESTRICTED TO -	SCALE 2:1 SHEET 1 OF 1 REV BA1	CUSTOMER DRAWING	