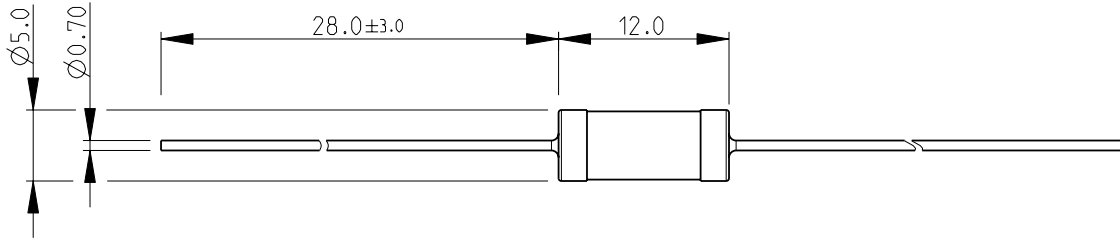
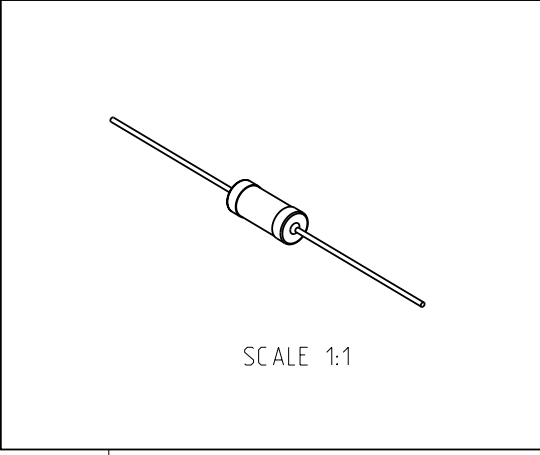


LOC	DIST	REVISIONS					
E	B	P	LTR	DESCRIPTION	DATE	DWN	APVD
			BA1	REVISED PER ECO-11-005150	29MAR2011	RK	HMR

FOR FURTHER INFORMATION SEE DATA SHEET FOR  
CFR SERIES-CARBON FILM FIXED RESISTORS



RoHS Compliant



2008  
 RELEASED FOR PUBLICATION  
 ALL RIGHTS RESERVED.  
 BY -  
 COPYRIGHT 2008

DIMENSIONS: mm  TOLERANCES UNLESS OTHERWISE SPECIFIED: 0 PLC $\pm 0.2$ 1 PLC $\pm 0.1$ 2 PLC $\pm -$ 3 PLC $\pm -$ 4 PLC $\pm -$ ANGLES $\pm 5^\circ$	DWN SUBHASH.M	19-Sep-08	MATERIAL	-	FINISH	-
	CHK PRAKASH.S	19-Sep-08	TE Connectivity CARBON FILM FIXED RESISTORS SERIES CFR100			
APVD STEPHEN.P	19-Sep-08					
	PRODUCT SPEC	-	NAME	CARBON FILM FIXED RESISTORS SERIES CFR100		
	APPLICATION SPEC	-	SIZE	CAGE CODE	DRAWING NO	RESTRICTED TO
	WEIGHT	-	A 4	00779	C= 1623925	-
CUSTOMER DRAWING			SCALE	2:1	SHEET	1 OF 1
					REV	BA1