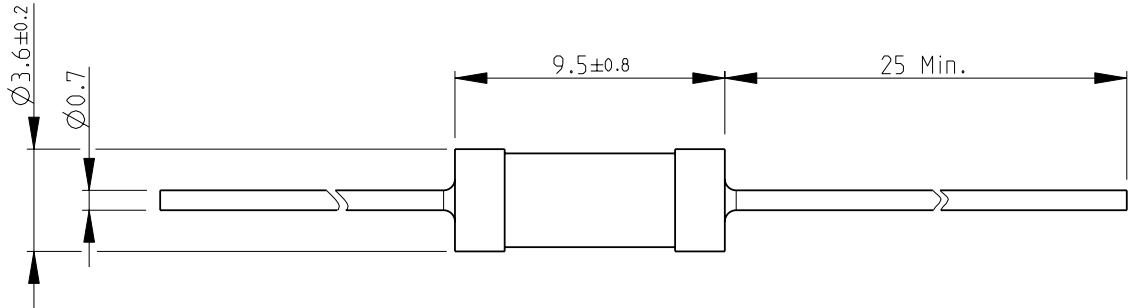
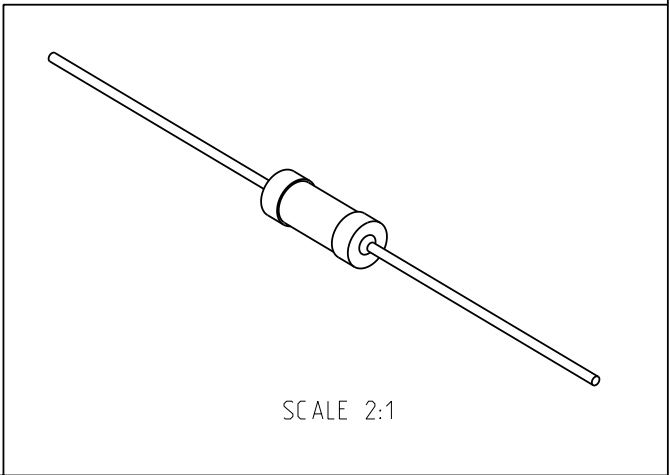


LOC	DIST	REVISIONS				
P	LTR	DESCRIPTION	DATE	DWN	APVD	
E	B	A1	REVISED PER ECO-11-005150	29MAR2011	RK	HMR

FOR FURTHER INFORMATION SEE DATA SHEET FOR
CBT SERIES-CARBON COMPOSITION RESISTORS



RoHS Compliant



SCALE 2:1

2008

RELEASED FOR PUBLICATION

ALL RIGHTS RESERVED.

THIS DRAWING IS UNPUBLISHED.

BY -

© COPYRIGHT 2008

DIMENSIONS: mm	DWN	18-Sep-08	MATERIAL	-	FINISH	-
	CHK	18-Sep-08				
TOLERANCES UNLESS OTHERWISE SPECIFIED:	APVD	18-Sep-08				
0 PLC ±0.2	PRODUCT SPEC	-	NAME CARBON COMPOSITION RESISTORS SERIES CBT50			
1 PLC ±0.1	APPLICATION SPEC	-	SIZE	CAGE CODE	DRAWING NO	RESTRICTED TO
2 PLC ±	WEIGHT	-	A 4	00779	©=1625876	-
3 PLC ±	CUSTOMER DRAWING					
4 PLC ±	SCALE 4:1			SHEET 1 OF 1		REV A1
ANGLES ±5°						

